



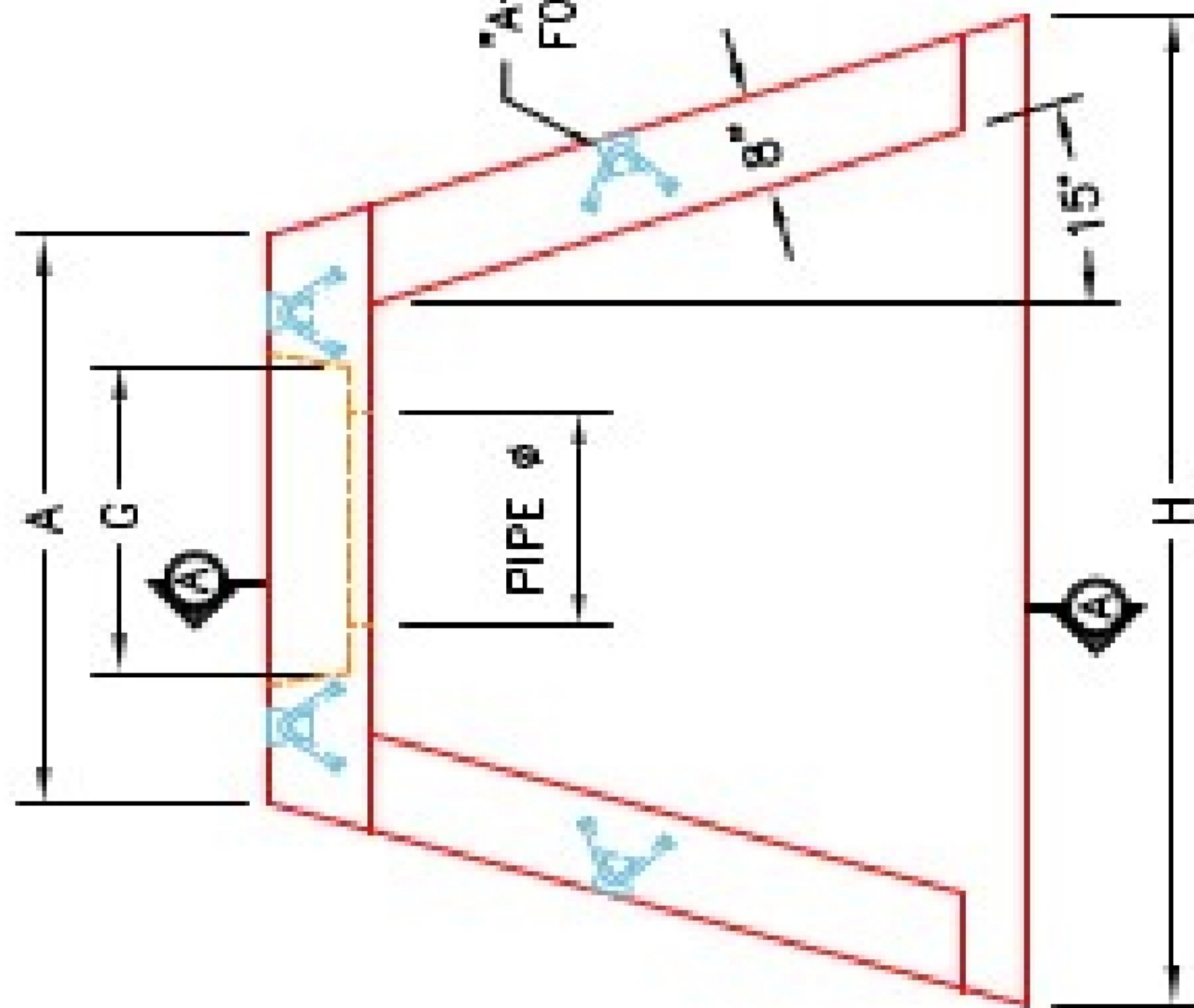
**Structure ID: C**

**P1 HWSF12F**

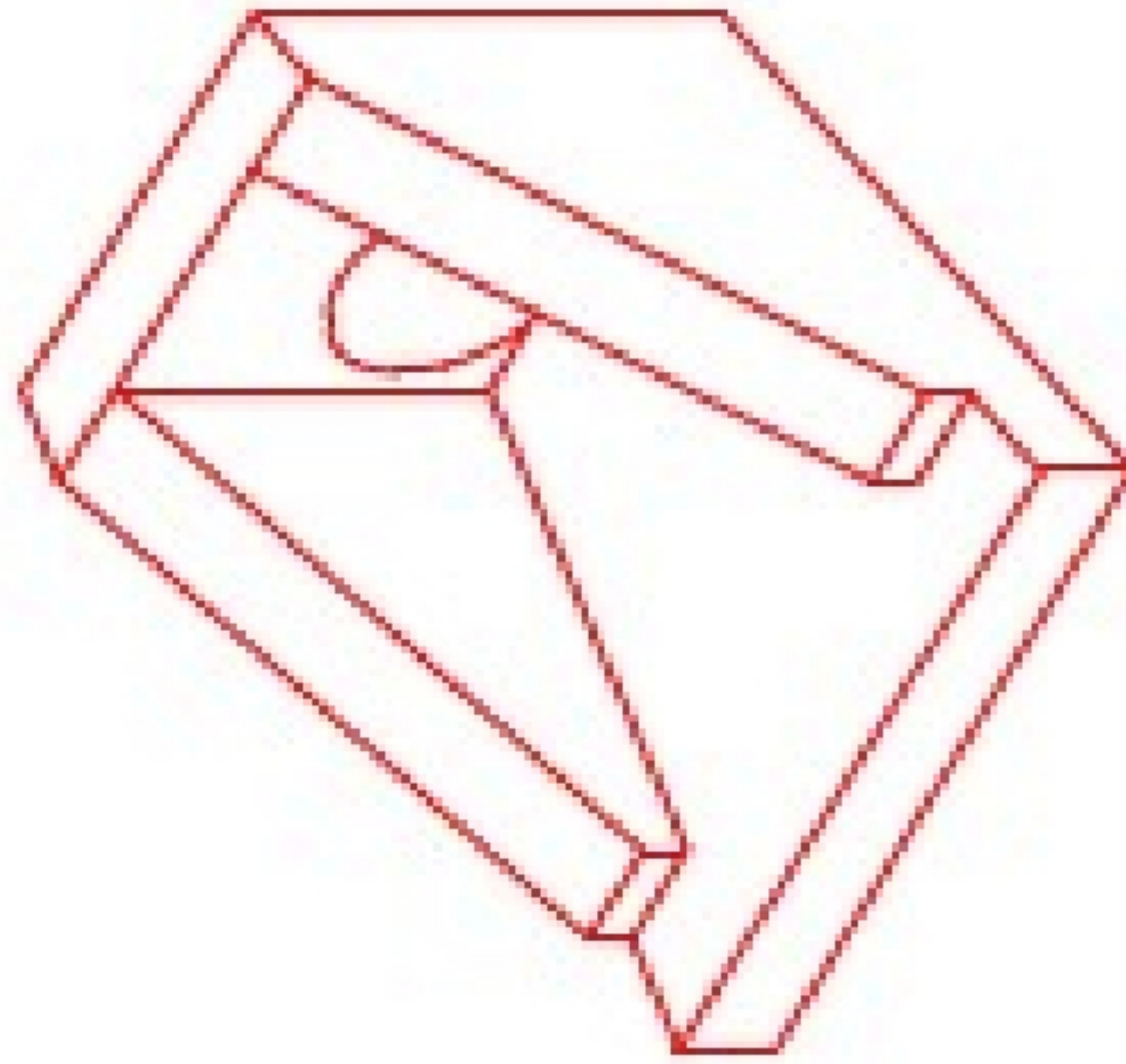
**12" - HW SLOPED & FLARED w/FLAT BOTTOM F/F**

DIMENSIONS									
PIPE Ø	A	B	C	D	E	F	G	H	WEIGHT
12"	2'-0"	2'-8"	2'-0"	8"	4'-0"	3"	1'-6"	4'-9"	2,255 LBS.

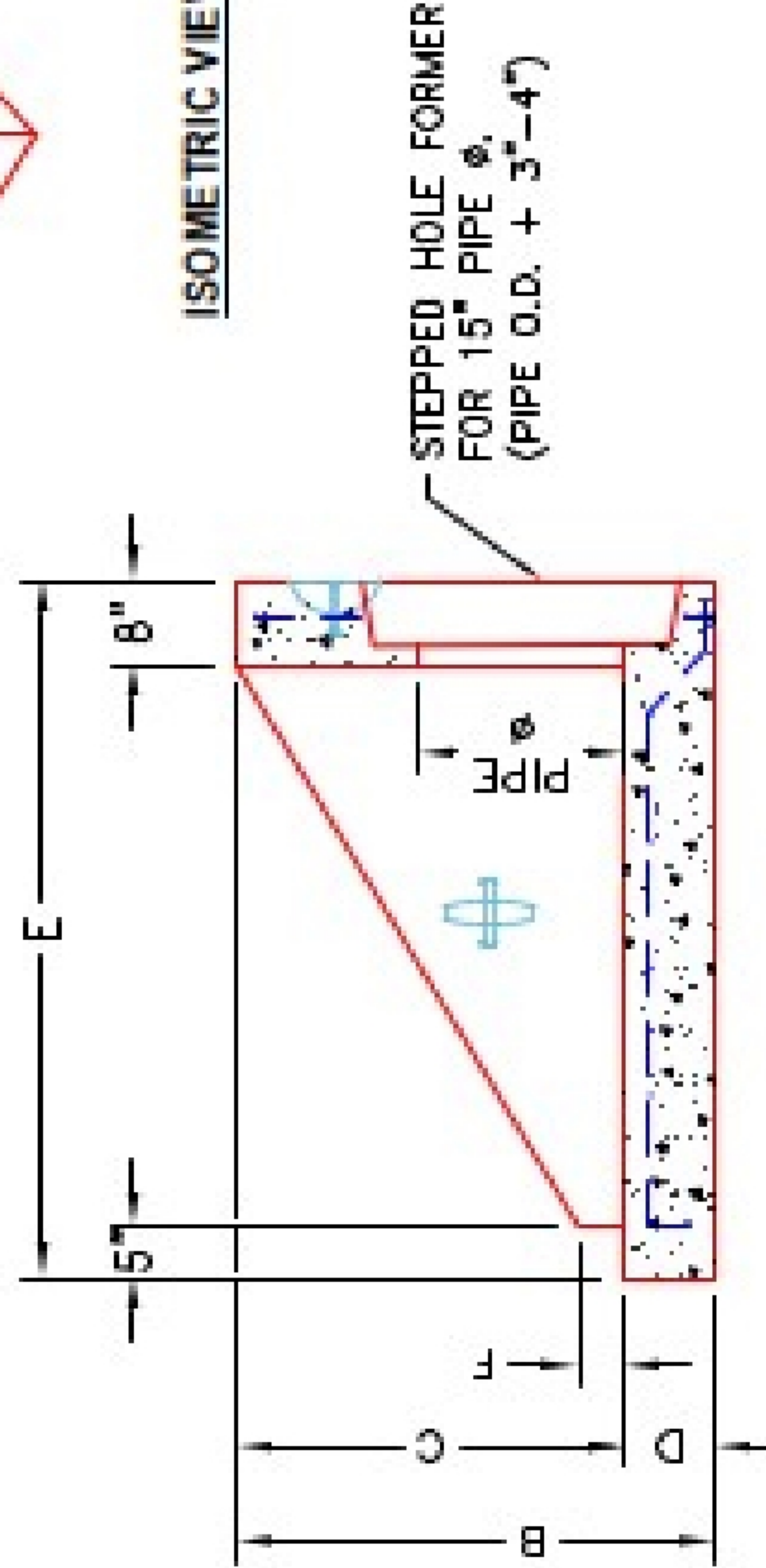
"A"-ANCHOR LIFTING SYSTEM FOR PLANT & FIELD HANDLING.



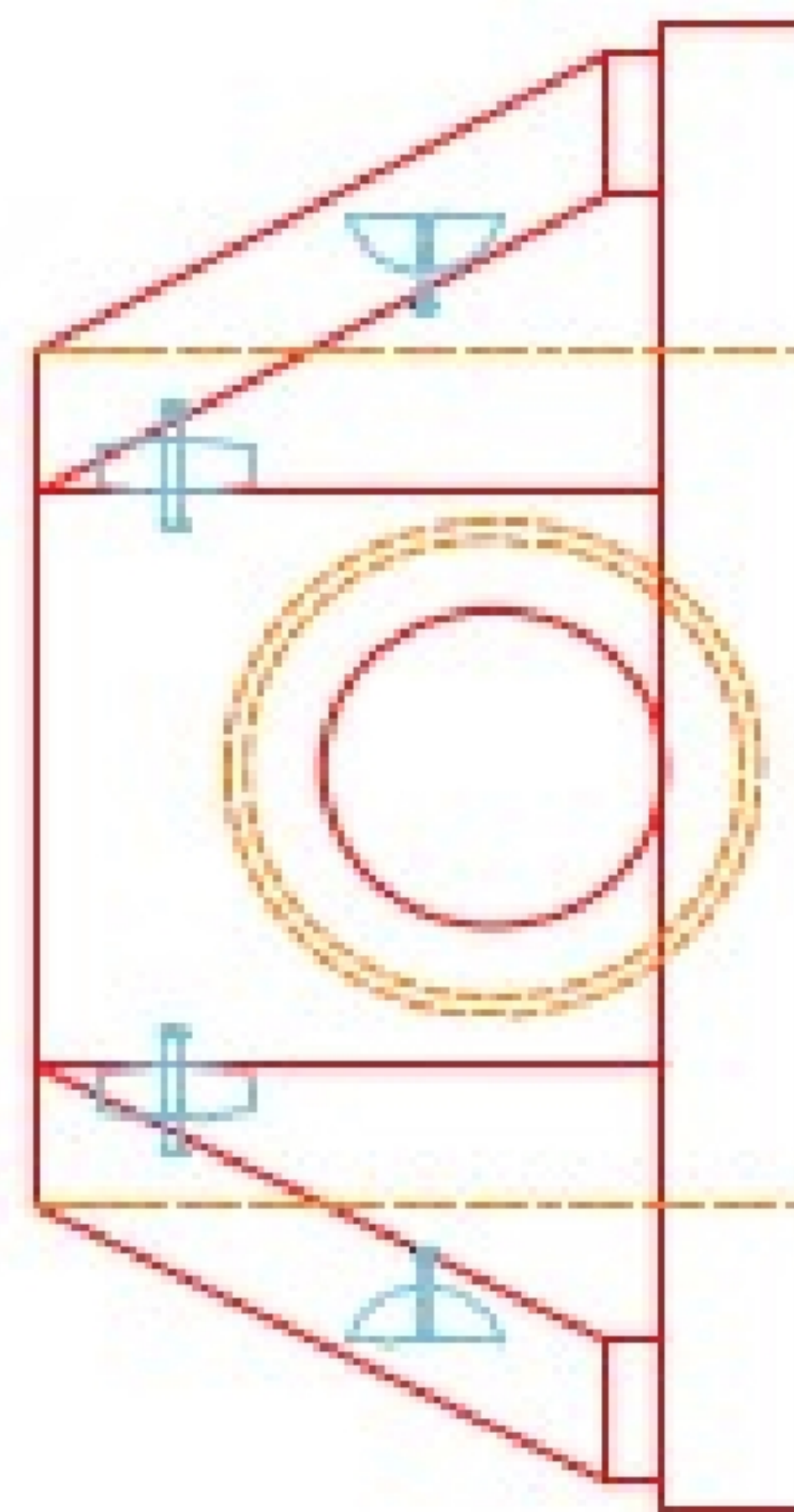
**PLAN VIEW**



**ISOMETRIC VIEW**



**SECTION A-A**



**FRONT ELEVATION**

**NOTES:**

1. CONCRETE: KYTC APPROVED.
2. REINFORCING: #4 BAR @ 12" C/C E.W. - GRADE 60, (WITH 2" CONCRETE COVER MINIMUM)
3. REINFORCING BARS TO BE TACK WELDED OR TIED.
4. PIPE AND LIFTING ANCHOR POCKETS TO BE GROUTED WITH KYTC APPROVED NON-SHRINK GROUT.
5. DRAWING TO BE USED IN CONJUNCTION WITH KYTC STD. DRAWING RDH-020-03 AND THE STANDARD SPECIFICATIONS FOR ROAD AND BRIDGE CONSTRUCTION.
6. CHAMFER ON ALL EXPOSED EDGES.
7. PREFORMED STEPPED HOLE SIZED AS PER O.D. OF PIPE + 3"-4".



INFRASTRUCTURE PRECAST, INC.  
 581 WEST 7TH ST., BEAVER DAM, KY 40009  
 PHONE: (270) 363-2200, FAX: (270) 288-7404

KYTC 12" SLOPED & FLARED HEADWALL  
 W/ FLAT BOTTOM

DRAWN BY: J.S. ROSS, P.E.  
 CHECKED BY: J.S. ROSS, P.E.  
 DATE: 8-20-20  
 DRAWN BY: J. GORRAGE  
 WITH: WWW.IPCAST.COM  
 SCALE: NTS