



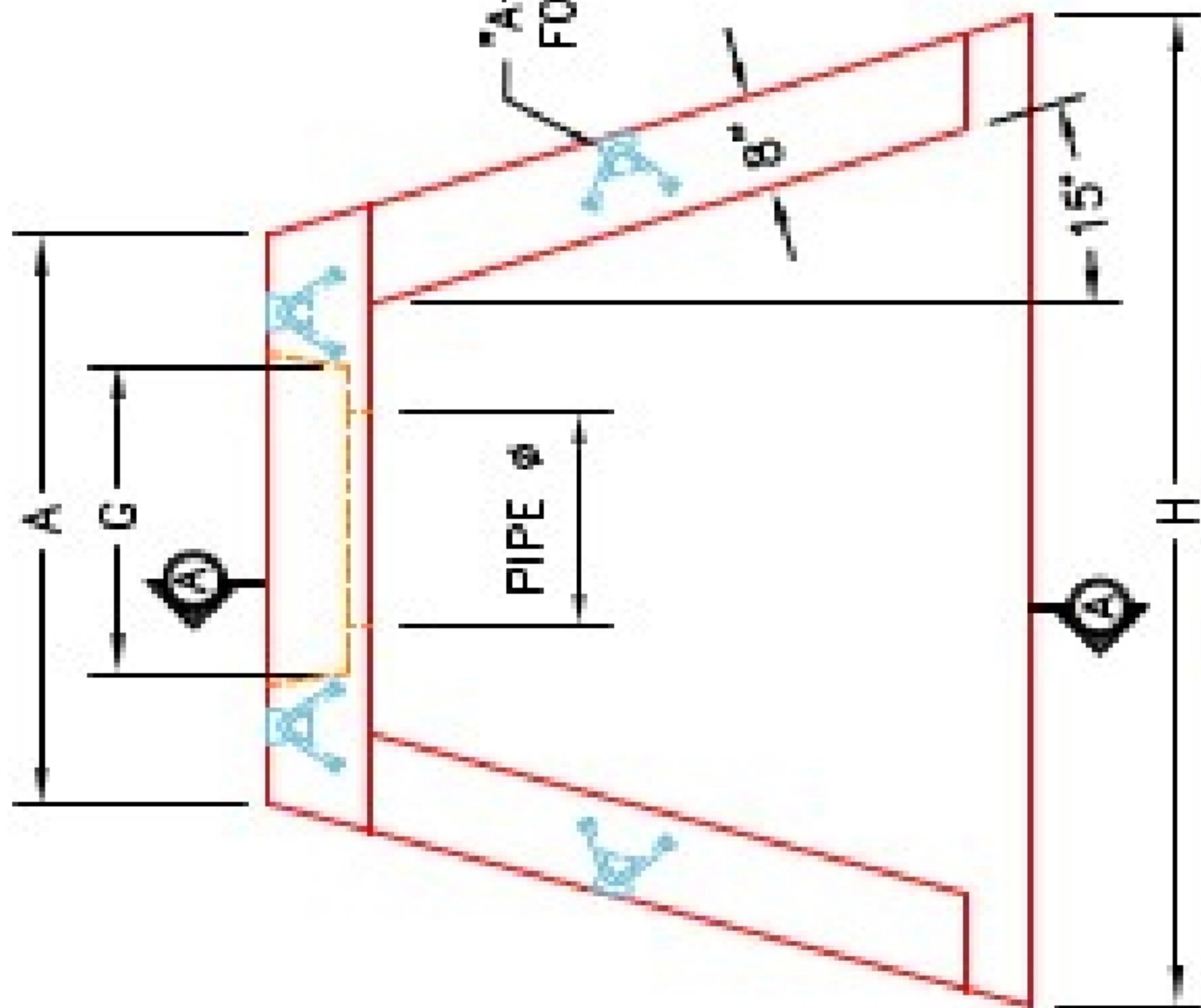
Structure ID: A

P1 HWSF18F

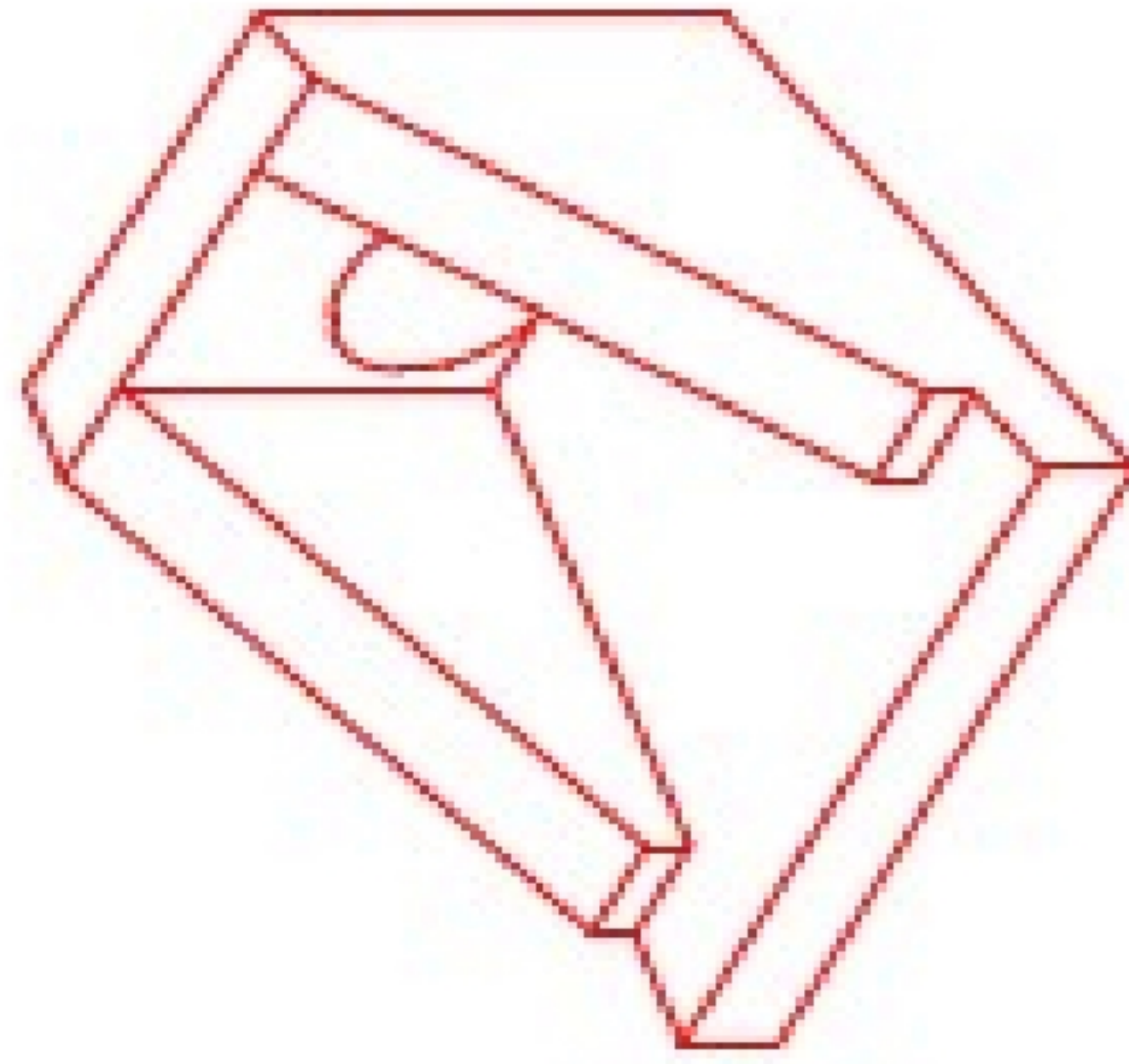
18" - HW SLOPED & FLARED w/FLAT BOTTOM F/F

DIMENSIONS								
PIPE Ø	A	B	C	D	E	F	H	WEIGHT
18"	3'-6"	4'-4"	2'-10"	8"	5'-0"	4"	6'-0"	3,711 LBS.

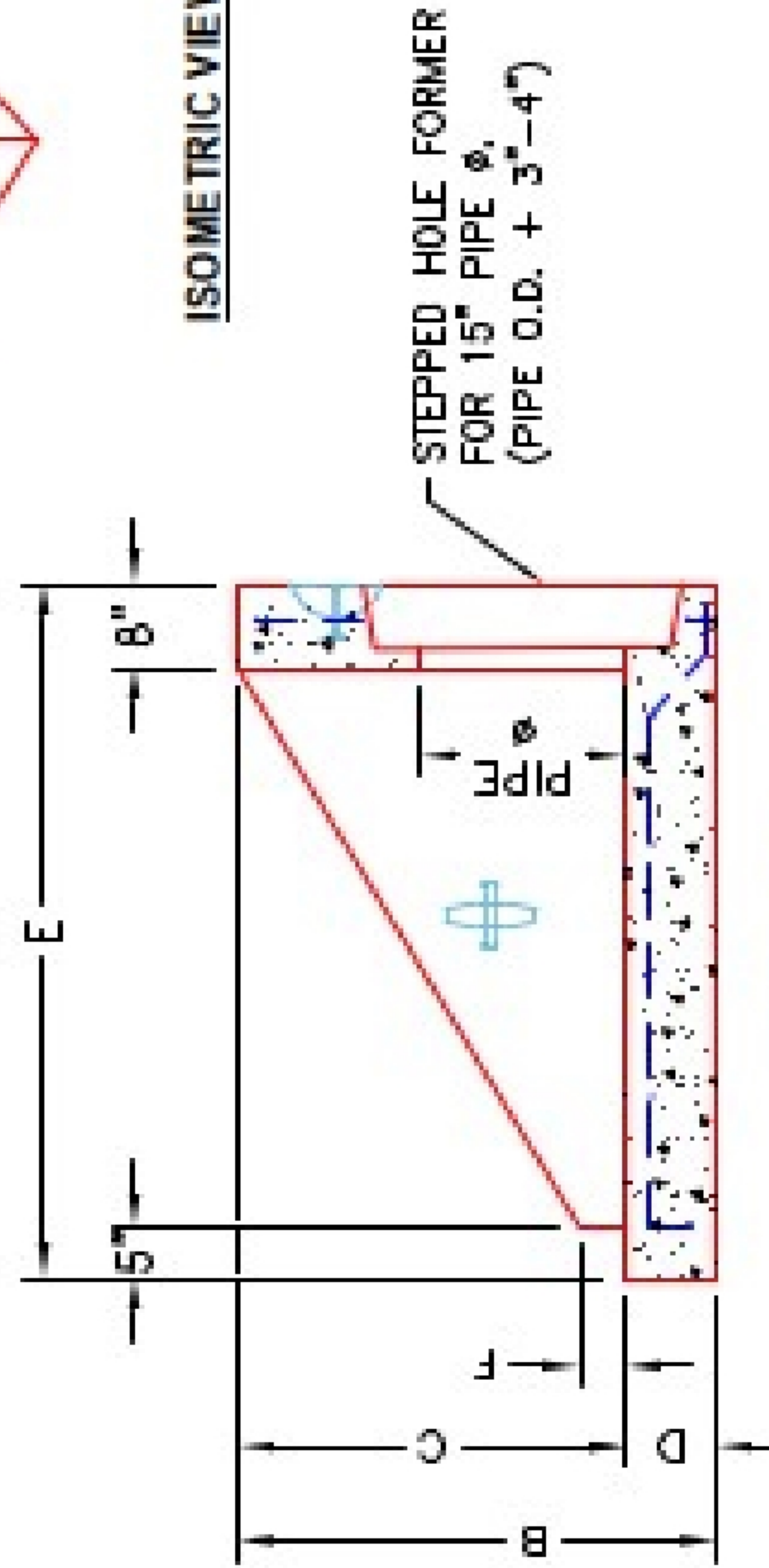
"A"-ANCHOR LIFTING SYSTEM FOR PLANT & FIELD HANDLING.



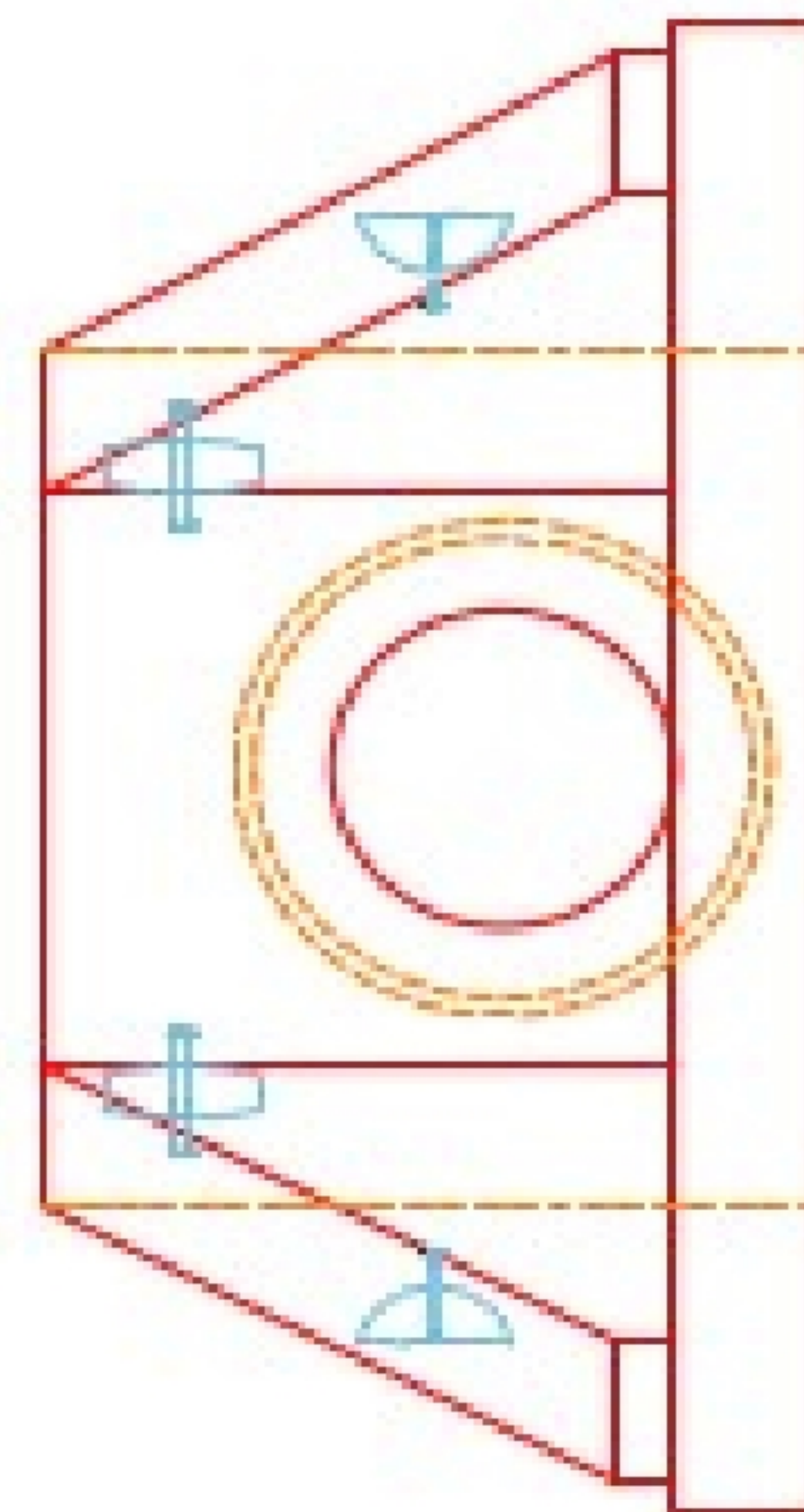
PLAN VIEW



ISOMETRIC VIEW



SECTION A-A



FRONT ELEVATION

NOTES:

1. CONCRETE: KYTC APPROVED.
2. REINFORCING: #4 BAR @ 12" C/C E.W. - GRADE 60, (WITH 2" CONCRETE COVER MINIMUM)
3. REINFORCING BARS TO BE TACK WELDED OR TIED.
4. PIPE AND LIFTING ANCHOR POCKETS TO BE GROUTED WITH KYTC APPROVED NON-SHRINK GROUT.
5. DRAWING TO BE USED IN CONJUNCTION WITH KYTC STD. DRAWING RDH-020-03 AND THE STANDARD SPECIFICATIONS FOR ROAD AND BRIDGE CONSTRUCTION.
6. CHAMFER ON ALL EXPOSED EDGES.
7. PREFORMED STEPPED HOLE SIZED AS PER O.D. OF PIPE + 3"-4".



INFRASTRUCTURE PRECAST, INC.
 581 WEST 7TH ST., BEAVERDAM, KY 42300
 PHONE: (270) 383-2238, FAX: (270) 288-7424

KYTC 18" SLOPED & FLARED HEADWALL w/ FLAT BOTTOM	
DRAWING NO. HWSF18F	DATE: 9-23-23
DESIGNED BY: J.B. ROSS, P.E.	DRAWN BY: A. COPPAGE
WEB: WWW.IPRECAST.COM	SCALE: NTS