



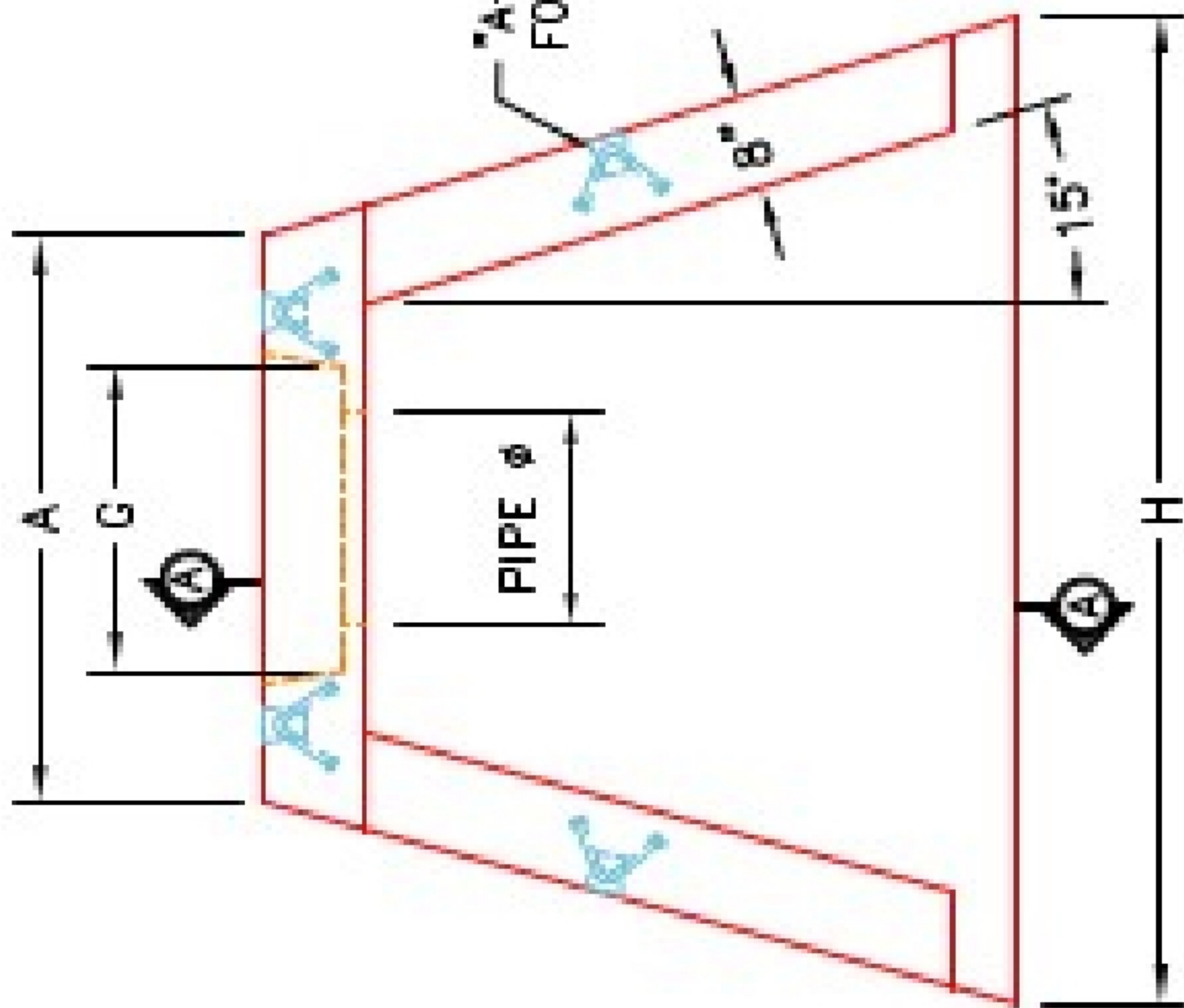
Structure ID: 103

P1 HWSF15F

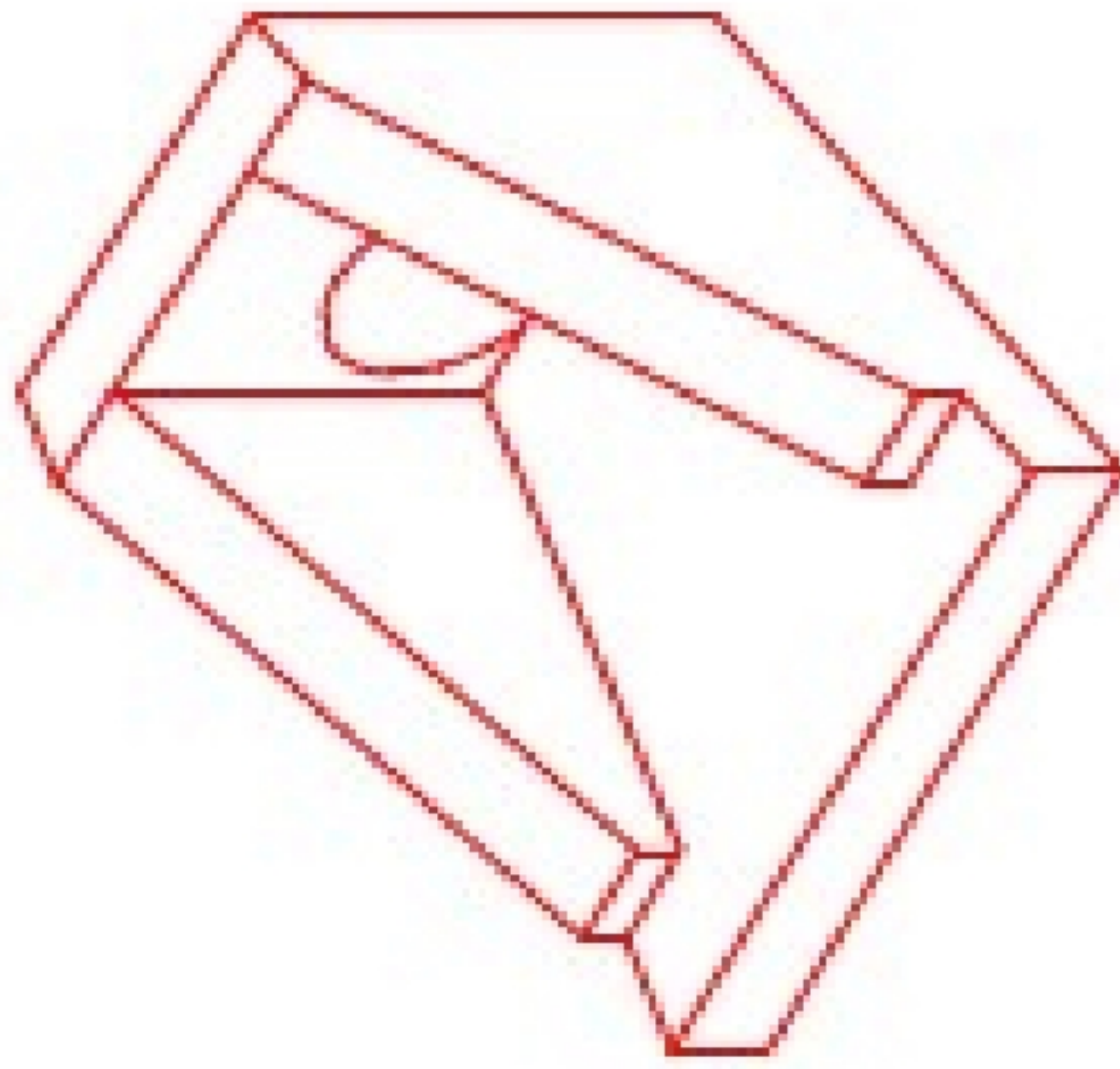
15" - HW SLOPED & FLARED w/FLAT BOTTOM F/F

DIMENSIONS								
PIPE Ø	A	B	C	D	E	F	H	WEIGHT
15"	2'-0"	2'-8"	2'-0"	8"	4'-0"	3"	4'-9"	2,610 LBS.

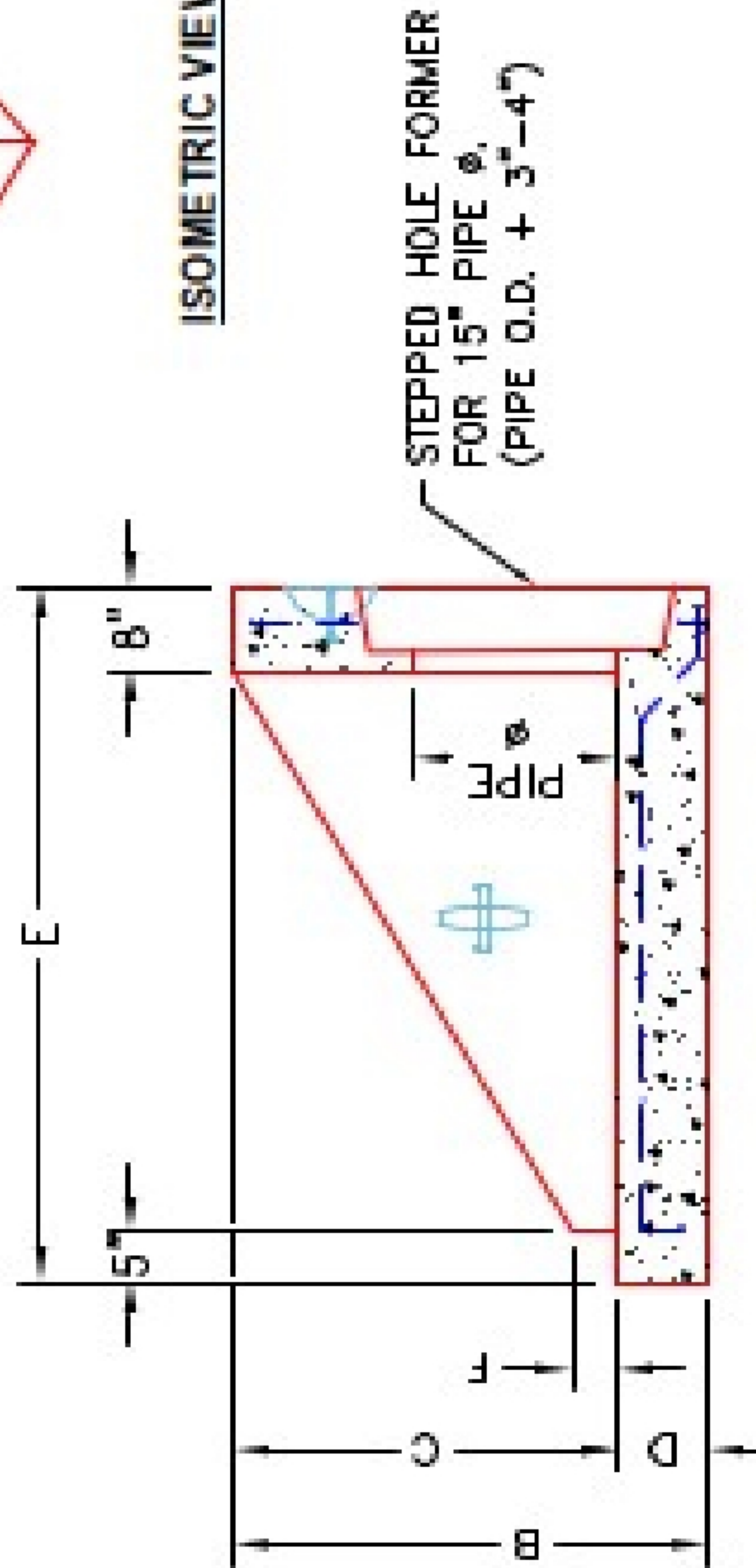
"A-ANCHOR" LIFTING SYSTEM FOR PLANT & FIELD HANDLING.



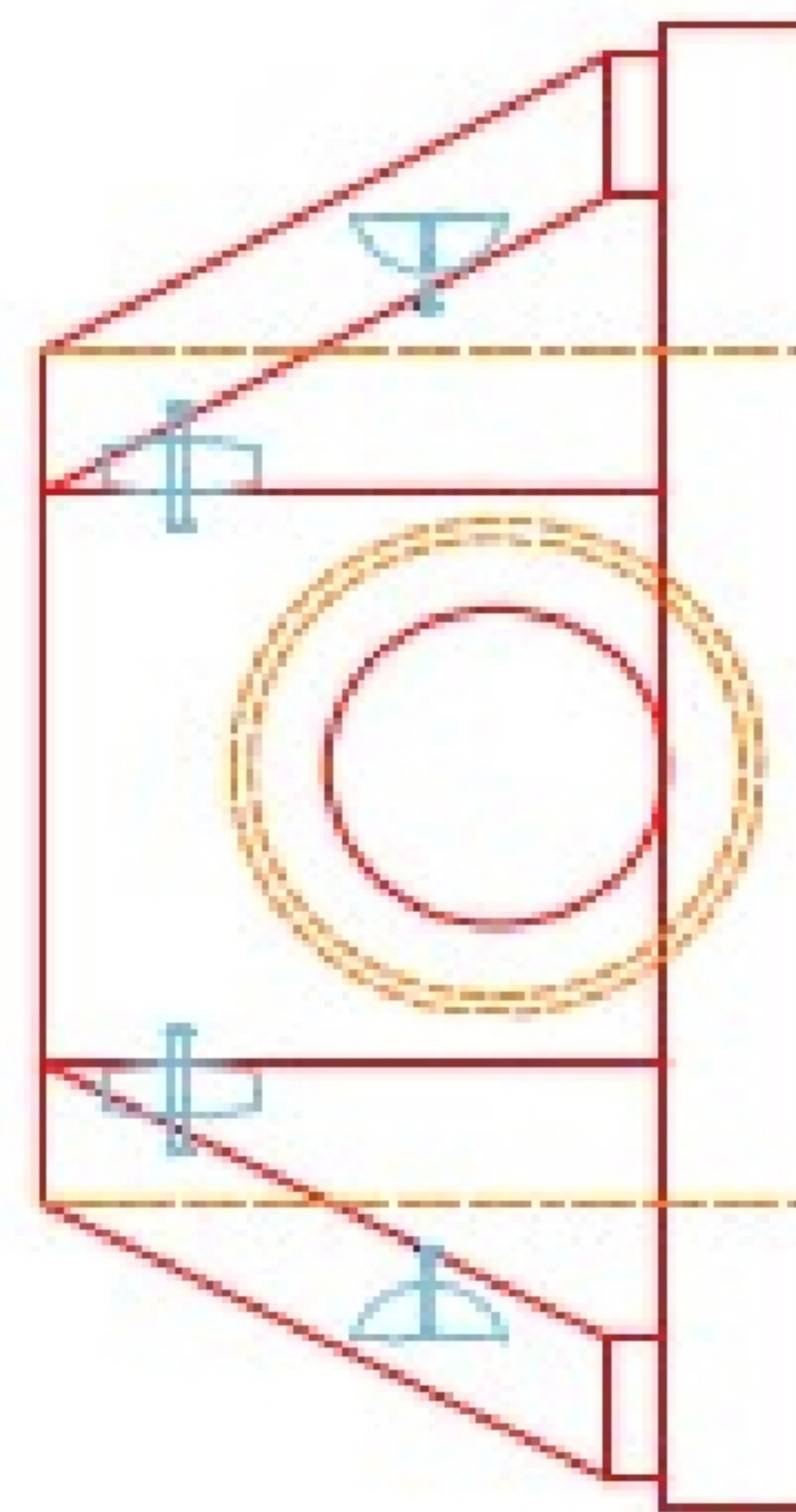
PLAN VIEW



ISOMETRIC VIEW



SECTION A-A



FRONT ELEVATION

NOTES:

1. CONCRETE: KYTC APPROVED.
2. REINFORCING: #4 BAR @ 12" C/C E.W.-GRADE 60, (WITH 2" CONCRETE COVER MINIMUM)
3. REINFORCING BARS TO BE TACK WELDED OR TIED.
4. PIPE AND LIFTING ANCHOR POCKETS TO BE GROUTED WITH KYTC APPROVED NON-SHRINK GROUT.
5. DRAWING TO BE USED IN CONJUNCTION WITH KYTC STD. DRAWING RDH-020-03 AND THE STANDARD SPECIFICATIONS FOR ROAD AND BRIDGE CONSTRUCTION.
6. 3/8" CHAMFER ON ALL EXPOSED EDGES.
7. PREFORMED STEPPED HOLE SIZED AS PER O.D. OF PIPE + 3"-4".



INFRASTRUCTURE PRECAST, INC.
 581 WEST 7TH ST., BEAVERDAM, KY 40001
 PHONE: (270)363-2238, FAX: (270)268-7624

KYTC 15" SLOPED & FLARED HEADWALL w/ FLAT BOTTOM	DATE: 8-23-23
DRAWING NO.: HWSF15F	DRAWN BY: A. GORTAGE
REVISED BY: J.L. BOSS, PC	SCALE: NTS
WEB: WWW.IPINC.COM	