

Job Name: 25-1922 - Reynold's Farm
 Job Location: Goodlettsville, TN 37072
 Contractor: Josh King Excavation

Plant: Beaver Dam, KY

Tech: K. Cardwell

1/8/2026 9:01:35 AM

PC: J. Jarvis



Structure ID: C9.1

P2 MH048LD12-28SQ

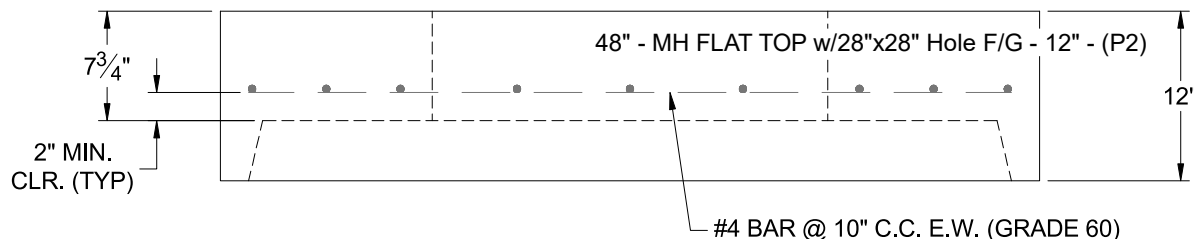
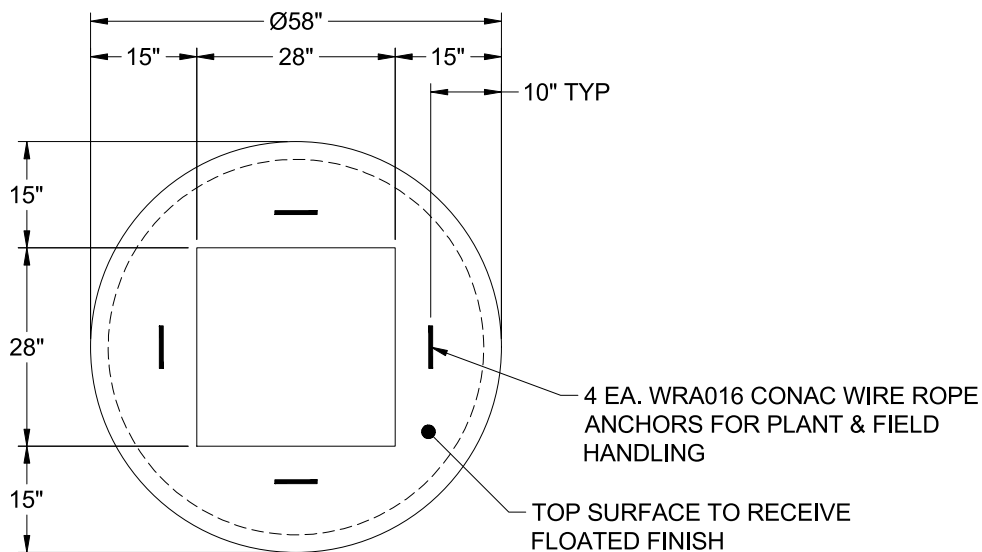
MH FLAT TOP w/28"x28" Hole F/G

- P3) 28" x 28" - CASTING HEIGHT - 7.50"
- P2) 48" - MH FLAT TOP w/28"x28" Hole F/G - 12"
- P1) 48" - MH BASE T/n - 36"
- 1) CASTING - JBS 3300 SET (F/G/H)
- 1) 48" - Conseal CS-102 1.00"
- 1) 28" x 28" - Conseal CS-102 1.00"
- 1) Hole - 26
- 1) Hole - 12
- 1) Hole - 18

0 lb
 1368 lb
 3455 lb
 500 lb
 0 lb
 0 lb
 0 lb
 0 lb
 0 lb

 Structure Total: 5323 lb

- Structure Notes:**
1. PER ASTM C-478 SPECS
 2. CONCRETE: 4,000 PSI AT 28 DAYS
 3. REINFORCEMENT: #4 BAR @ 10" C.C. E.W. (GRADE 60) - 2" MIN. REBAR CLEARANCE (TYP)
 4. NO STEPS
 5. JBS 3300 FRAME, GRATE, & CURB HOOD SUPPLIED BY ICAST
 6. LIFTERS: 4 EA. WRA016 CONAC WIRE ROPE ANCHORS FOR PLANT & FIELD HANDLING



Coating (Int):
 Coating (Ext):

Seam Up: Flat
 Seam Dn: Groove

Wall Thickness: 5"

Height (Ext): 12"

Weight (Net): 1368 lb
 Volume (Net): 0.35cu.yd