

**Job Name: 25-1922 - Reynold's Farm**  
**Job Location: Goodlettsville, TN 37072**  
**Contractor: Josh King Excavation**

PC: J. Jarvis  
 TECH: K. Cardwell  
 Plant: Beaver Dam, KY



Structure ID: **C9**  
 Spec: Storm  
 Type: BX 6inW, 6inF  
 Size: 30" x 30"

Rim: 527.6'  
 Invert: 524.25'  
 Rim to Invert: 3.35'

Sump: 2.5"  
 Floor (Top): 524.042'  
 Floor Height: 6"

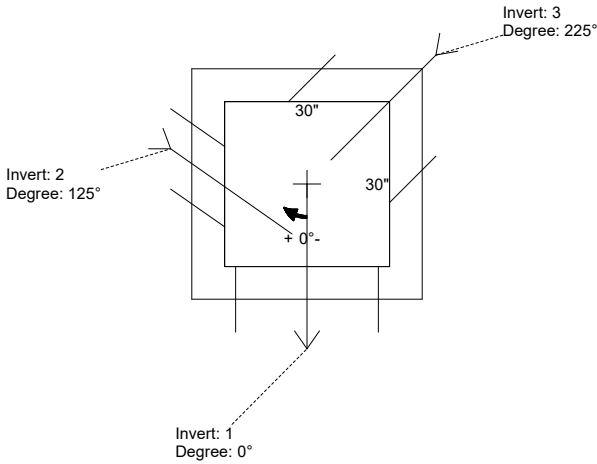
Floor (Bot): 523.542'  
 Overall Height: 4'  
 Slack: 0.7"

**Structure Notes:**

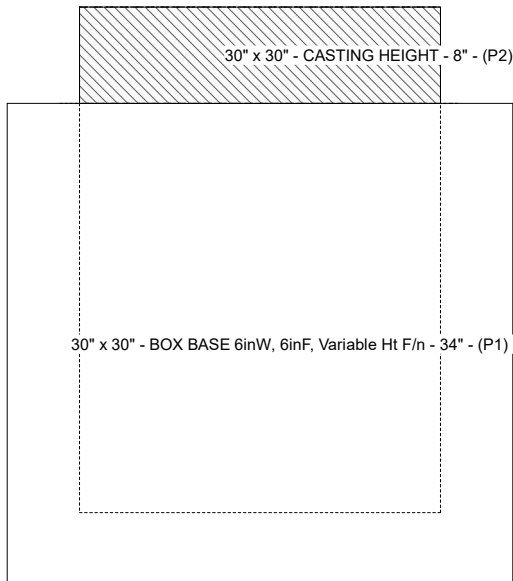
1. PER ASTM C-913 SPECS
2. CONCRETE: 4,000 PSI AT 28 DAYS
3. REINFORCEMENT: #4 BAR @ 12" C.C. E.W. (GRADE 60)
4. JBS 3300 FRAME, GRATE, & CURB HOOD SUPPLIED BY ICAST

**STRUCTURE SUMMARY:**

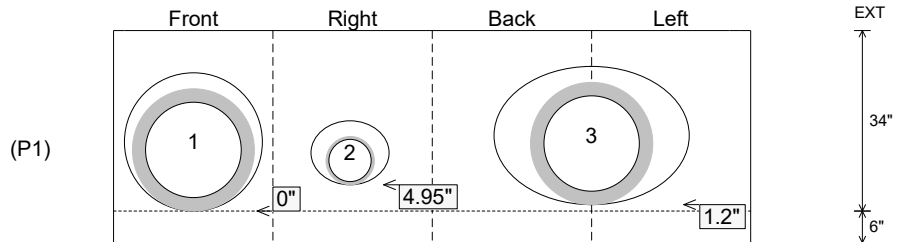
P2) 30" x 30" - CASTING HEIGHT - 8" 0 lb  
 P1) 30" x 30" - BOX BASE 6inW, 6inF, Variable Ht F/n - 34" 2638 lb  
 500 lb  
 1) CASTING - JBS 3300 SET (F/G/H) 0 lb  
 1) 30" x 30" - SGL 1"x14.5' Butyl 0 lb  
 2) Hole - 26 0 lb  
 1) Hole - 12 0 lb  
 Structure Total: 3138 lb



Position	Elev	Angle	Pipe	Pipe OD	Hole	Connector	Up (")	Ref
Rim	527.6'							
Reducer								
Invert 1	524.25'	0°	18" RCP B WALL	23"	26"	Hole 26	0"	P1
Invert 2	524.5'	125°	8" HDPE	9.1"	12"	Hole 12	4.95"	P1
Invert 3	524.35'	225°	18" RCP B WALL	23"	26"	Hole 26	1.12"	P1
Invert 4								
Invert 5								
Invert 6								
Invert 7								
Invert 8								



**Cast (Int. Dim.) - Interior Dimensions**



Submittal Drawing  
 1/8/2026 7:55:15 AM

SUBMITTAL  
 APPROVED BY: