

Job Name: 25-1922 - Reynold's Farm
Job Location: Goodlettsville, TN 37072
Contractor: Josh King Excavation

PC: J. Jarvis
 TECH: K. Cardwell
 Plant: Beaver Dam, KY



Structure ID: C7
 Spec: Storm
 Type: STM.MH
 Size: 48"

Rim: 526.2'
 Invert: 522.45'
 Rim to Invert: 3.75'

Sump: 3"
 Floor (Top): 522.2'
 Floor Height: 6"

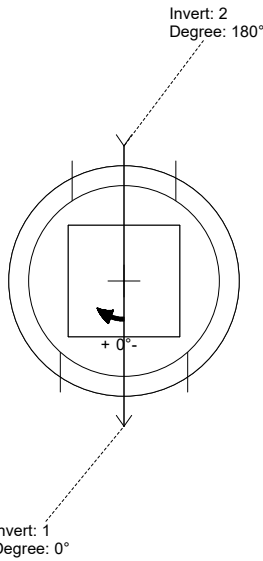
Floor (Bot): 521.7'
 Overall Height: 4.458'
 Slack: 0.5"

Structure Notes:

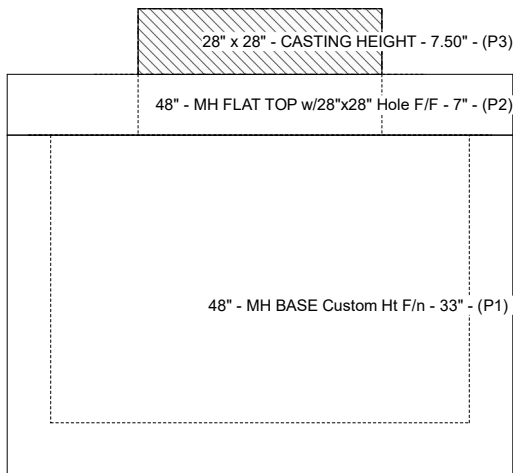
- PER ASTM C-478 SPECS
- CONCRETE: 4,000 PSI AT 28 DAYS
- REINFORCEMENT:
 - FLAT LID: #4 BAR @ 10" C.C. E.W. (GRADE 60)
 - BASE: PER ASTM A615
- NO STEPS
- JBS 3300 FRAME, GRATE, & CURB HOOD SUPPLIED BY ICAST

STRUCTURE SUMMARY:

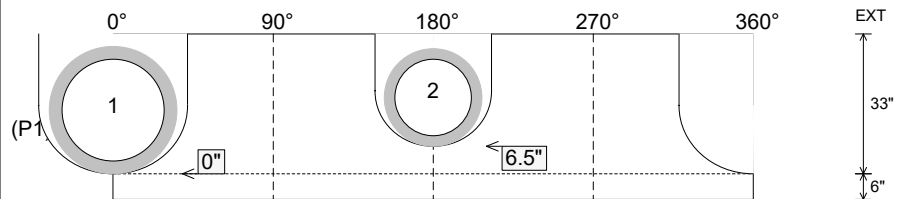
P3) 28" x 28" - CASTING HEIGHT - 7.50"	0 lb
P2) 48" - MH FLAT TOP w/28"x28" Hole F/F - 7"	1091 lb
P1) 48" - MH BASE Custom Ht F/n - 33"	3030 lb
1) CASTING - JBS 3300 SET (F/G/H)	500 lb
1) 48" - Conseal CS-102 1.00"	0 lb
1) 28" x 28" - Conseal CS-102 1.00"	0 lb
1) DOGHOUSE INVRTD - 32"x33"	0 lb
1) DOGHOUSE INVRTD - 26"x26"	0 lb
Structure Total:	4622 lb



Position	Elev	Angle	Pipe	Pipe OD	Hole	Connector	Up (")	Ref
Rim	526.2'							
Reducer								
Invert 1	522.45'	0°	24" RCP B WALL	30"	32" x 32"	DOGHOUSE INVRTD 32"x33"	0"	P1
Invert 2	522.95'	180°	18" RCP B WALL	23"	26" x 26"	DOGHOUSE INVRTD 26"x26"	6.5"	P1
Invert 3								
Invert 4								
Invert 5								
Invert 6								
Invert 7								
Invert 8								



Cast (Int. Dim.) - Interior Dimensions



Submittal Drawing
 1/8/2026 7:55:14 AM

SUBMITTAL
 APPROVED BY: