

Job Name: 25-1922 - Reynold's Farm
 Job Location: Goodlettsville, TN 37072
 Contractor: Josh King Excavation

Plant: Beaver Dam, KY
 1/8/2026 9:01:34 AM

Tech: K. Cardwell
 PC: J. Jarvis



Structure ID: C7

P2 MH048LD07-28SQ

MH FLAT TOP w/28"x28" Hole F/F

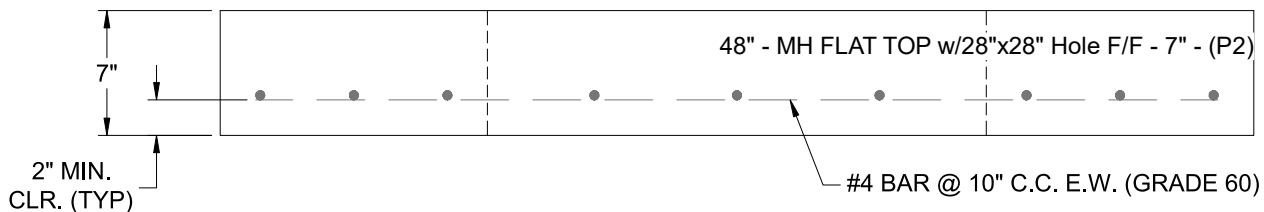
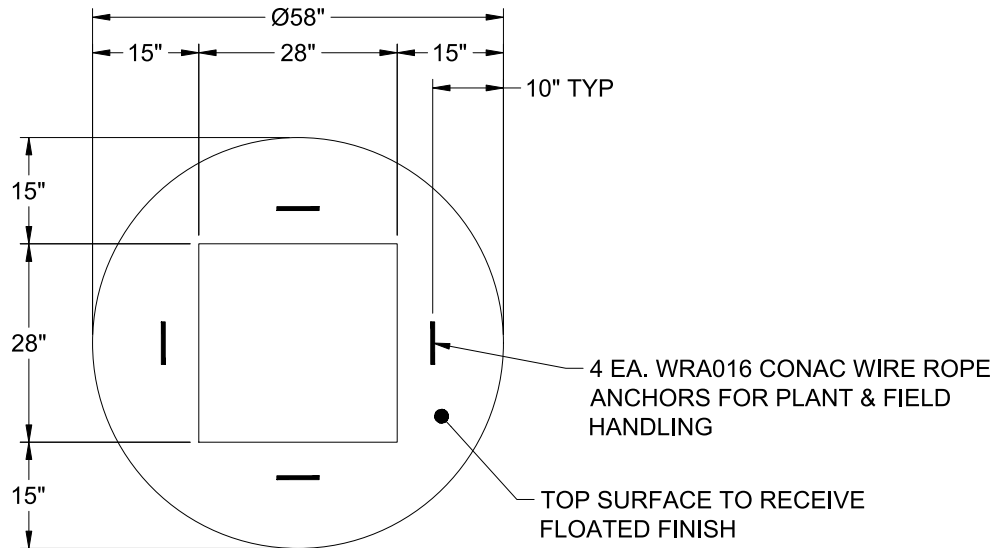
- P3) 28" x 28" - CASTING HEIGHT - 7.50"
- P2) 48" - MH FLAT TOP w/28"x28" Hole F/F - 7"
- P1) 48" - MH BASE Custom Ht F/n - 33"
- 1) CASTING - JBS 3300 SET (F/G/H)
- 1) 48" - Conseal CS-102 1.00"
- 1) 28" x 28" - Conseal CS-102 1.00"
- 1) DOGHOUSE INVRTD - 32"x33"
- 1) DOGHOUSE INVRTD - 26"x26"

0 lb
 1091 lb
 3030 lb
 500 lb
 0 lb
 0 lb
 0 lb
 0 lb

 4622 lb

Structure Total:

- Structure Notes:
1. PER ASTM C-478 SPECS
 2. CONCRETE: 4,000 PSI AT 28 DAYS
 3. REINFORCEMENT: #4 BAR @ 10" C.C. E.W. (GRADE 60) - 2" MIN. REBAR CLEARANCE (TYP)
 4. NO STEPS
 5. JBS 3300 FRAME, GRATE, & CURB HOOD SUPPLIED BY ICAST
 6. LIFTERS: 4 EA. WRA016 CONAC WIRE ROPE ANCHORS FOR PLANT & FIELD HANDLING



Coating (Int):
 Coating (Ext):

Seam Up: Flat
 Seam Dn: Flat

Wall Thickness: 5"

Height (Ext): 7"

Weight (Net): 1091 lb
 Volume (Net): 0.28cu.yd