

Job Name: 25-1922 - Reynold's Farm  
 Job Location: Goodlettsville, TN 37072  
 Contractor: Josh King Excavation

Plant: Beaver Dam, KY  
 1/8/2026 9:00:41 AM

Tech: K. Cardwell  
 PC: J. Jarvis



**Structure ID: C7**

**P1 MH048BAVF**

**MH BASE Custom Ht F/n**

- P3) 28" x 28" - CASTING HEIGHT - 7.50"
- P2) 48" - MH FLAT TOP w/28"x28" Hole F/F - 7"
- P1) 48" - MH BASE Custom Ht F/n - 33"
- 1) CASTING - JBS 3300 SET (F/G/H)
- 1) 48" - Conseal CS-102 1.00"
- 1) 28" x 28" - Conseal CS-102 1.00"
- 1) DOGHOUSE INVRTD - 32"x33"
- 1) DOGHOUSE INVRTD - 26"x26"

0 lb  
 1091 lb  
 3030 lb  
 500 lb  
 0 lb  
 0 lb  
 0 lb  
 0 lb  
 0 lb  
 Structure Total: 4622 lb

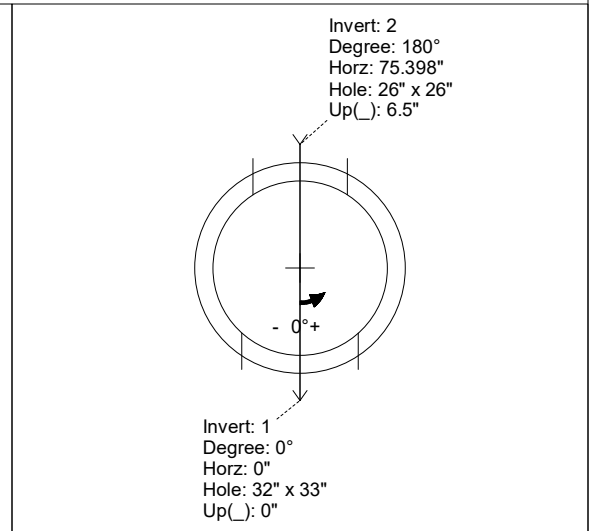
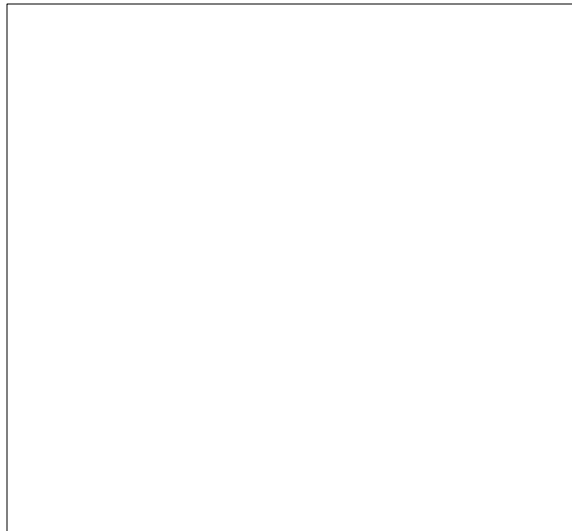
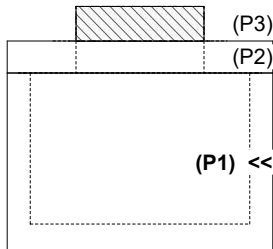
- Structure Notes:**
1. PER ASTM C-478 SPECS
  2. CONCRETE: 4,000 PSI AT 28 DAYS
  3. REINFORCEMENT: PER ASTM A615
  4. NO STEPS
  5. JBS 3300 FRAME, GRATE, & CURB HOOD SUPPLIED BY ICAST

Rim: 526.2' Rim to Invert: 3.75' Slack: 0.5" Sump: 3" Step Position:

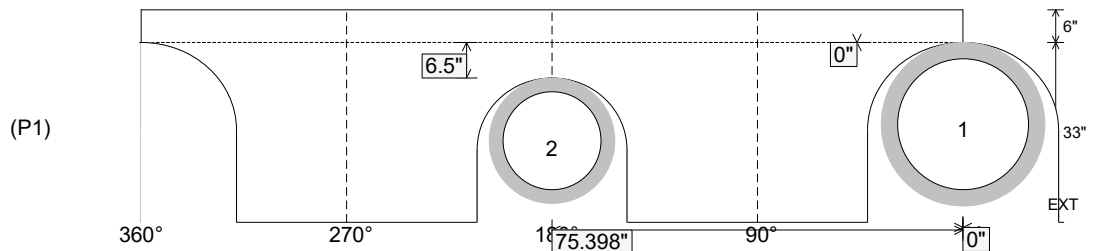
Position	Elev	Angle	Ext. (cw)	Pipe	Pipe OD	Connector	Hole	Horz Size	Up (")	Offset
Invert 1	522.45'	0°	0"	24" RCP B WALL	30"	DOGHOUSE INVRTD 32"x33"	32" x 33"	35.027"	0"	0"
Invert 2	522.95'	180°	91.106"	18" RCP B WALL	23"	DOGHOUSE INVRTD 26"x26"	26" x 26"	27.476"	6.5"	0"
Invert 3										
Invert 4										
Invert 5										
Invert 6										
Invert 7										
Invert 8										

RIGHT-SIDE UP VIEW (int. dimensions)

UPSIDE-DOWN VIEW (int. dimensions)



INSIDE WALL DIMENSIONS



Coating (Int):  
 Coating (Ext):

Seam Up: Flat  
 Seam Dn: n/a

Wall Thickness: 5"  
 Floor Height: 6"

Height (Int): 33"  
 Height (Ext): 39"

Weight (Net): 3030 lb  
 Volume (Net): 0.77cu.yd