

Job Name: 25-1922 - Reynold's Farm
Job Location: Goodlettsville, TN 37072
Contractor: Josh King Excavation

PC: J. Jarvis
 TECH: K. Cardwell
 Plant: Beaver Dam, KY



Structure ID: **C5**
 Spec: Storm
 Type: STM.MH
 Size: 60"

Rim: 524.31'
 Invert: 520.55'
 Rim to Invert: 3.76'

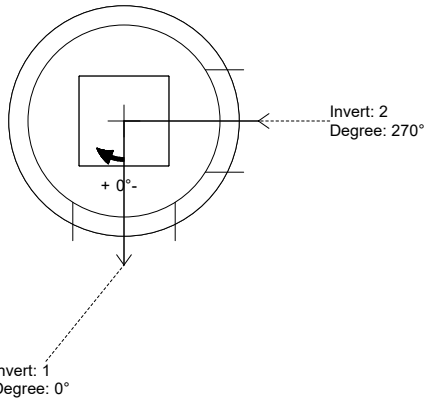
Sump: 3"
 Floor (Top): 520.3'
 Floor Height: 8"

Floor (Bot): 519.633'
 Overall Height: 4.625'
 Slack: 0.62"

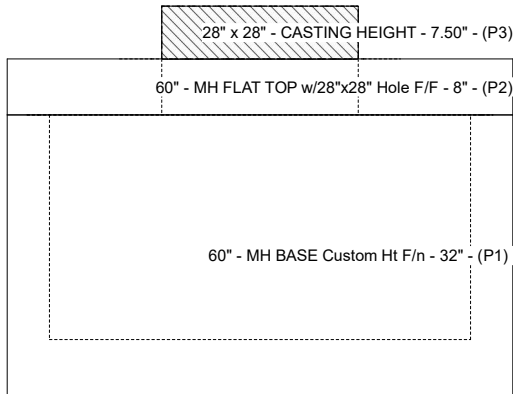
- Structure Notes:**
- PER ASTM C-478 SPECS
 - CONCRETE: 4,000 PSI AT 28 DAYS
 - REINFORCEMENT:
 - FLAT LID: #5 BAR @ 6" C.C. E.W. (GRADE 60)
 - BASE: PER ASTM A615
 - NO STEPS
 - JBS 3300 FRAME, GRATE, & CURB HOOD SUPPLIED BY ICAST

STRUCTURE SUMMARY:

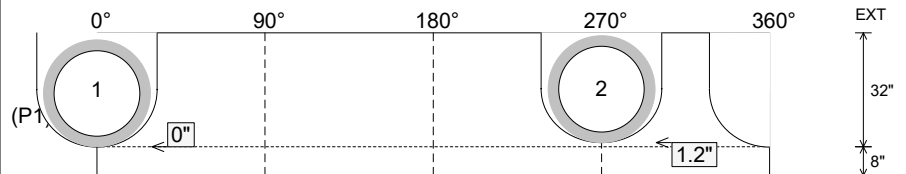
P3) 28" x 28" - CASTING HEIGHT - 7.50"	0 lb
P2) 60" - MH FLAT TOP w/28"x28" Hole F/F - 8"	2217 lb
P1) 60" - MH BASE Custom Ht F/n - 32"	5340 lb
1) CASTING - JBS 3300 SET (F/G/H)	500 lb
1) 60" - Conseal CS-102 1.00"	0 lb
1) 28" x 28" - Conseal CS-102 1.00"	0 lb
1) DOGHOUSE INVRTD - 32"x32"	0 lb
1) DOGHOUSE INVRTD - 32"x30"	0 lb
	<u>0 lb</u>
Structure Total:	8057 lb



Position	Elev	Angle	Pipe	Pipe OD	Hole	Connector	Up (")	Ref
Rim	524.31'							
Reducer								
Invert 1	520.55'	0°	24" RCP B WALL	30"	32" x 32"	DOGHOUSE INVRTD 32"x32"	0"	P1
Invert 2	520.65'	270°	24" RCP B WALL	30"	32" x 30"	DOGHOUSE INVRTD 32"x30"	1.2"	P1
Invert 3								
Invert 4								
Invert 5								
Invert 6								
Invert 7								
Invert 8								



Cast (Int. Dim.) - Interior Dimensions



Submittal Drawing
 1/8/2026 7:55:12 AM

SUBMITTAL
 APPROVED BY: