

**Job Name: 25-1922 - Reynold's Farm**  
**Job Location: Goodlettsville, TN 37072**  
**Contractor: Josh King Excavation**

PC: J. Jarvis  
 TECH: K. Cardwell  
 Plant: Beaver Dam, KY



Structure ID: **C4**  
 Spec: Storm  
 Type: STM.MH  
 Size: 48"

Rim: 525.7'  
 Invert: 520.1'  
 Rim to Invert: 5.6'

Sump: 3"  
 Floor (Top): 519.85'  
 Floor Height: 6"

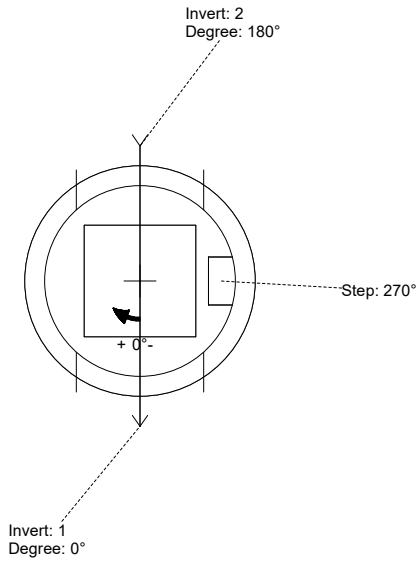
Floor (Bot): 519.35'  
 Overall Height: 6.125'  
 Slack: 2.7"

**Structure Notes:**

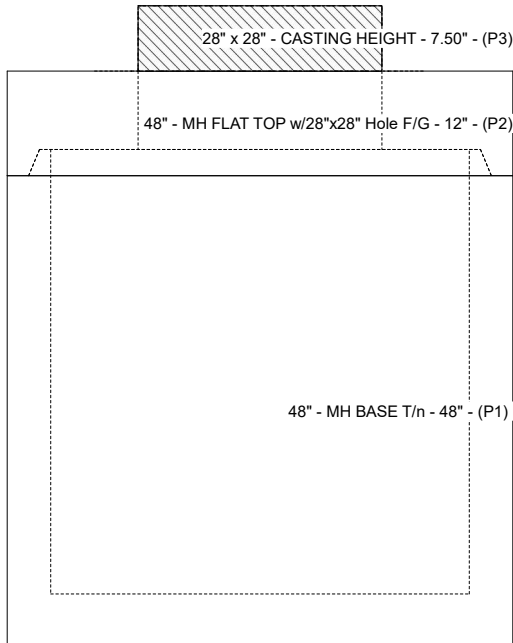
1. PER ASTM C-478 SPECS
2. CONCRETE: 4,000 PSI AT 28 DAYS
3. REINFORCEMENT:
  - FLAT LID: #4 BAR @ 10" C.C. E.W. (GRADE 60)
  - BASE: PER ASTM A615
4. STEPS AT 270 DEGREES
5. JBS 3300 FRAME, GRATE, & CURB HOOD SUPPLIED BY ICAST

**STRUCTURE SUMMARY:**

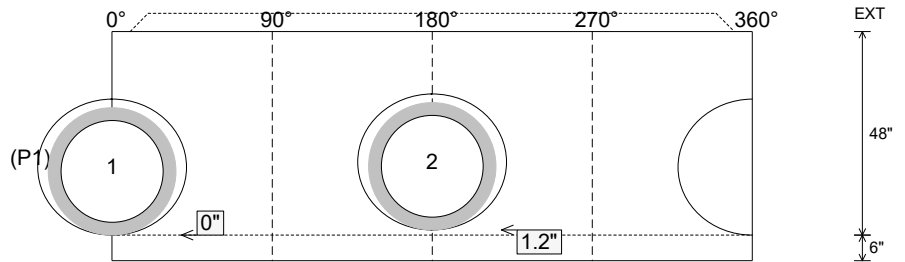
- P3) 28" x 28" - CASTING HEIGHT - 7.50" 0 lb
  - P2) 48" - MH FLAT TOP w/28"x28" Hole F/G - 12" 1368 lb
  - P1) 48" - MH BASE T/n - 48" 3957 lb
  - 1) CASTING - JBS 3300 SET (F/G/H) 500 lb
  - 1) 48" - Conseal CS-102 1.00" 0 lb
  - 1) 28" x 28" - Conseal CS-102 1.00" 0 lb
  - 2) Hole - 32 0 lb
  - 4) MH Step ML-10-TDS-NCR - 10" 0 lb
- Structure Total: **5825 lb**



Position	Elev	Angle	Pipe	Pipe OD	Hole	Connector	Up (")	Ref
Rim	525.7'							
Reducer								
Invert 1	520.1'	0°	24" RCP B WALL	30"	32"	Hole 32	0"	P1
Invert 2	520.2'	180°	24" RCP B WALL	30"	32"	Hole 32	1.2"	P1
Invert 3								
Invert 4								
Invert 5								
Invert 6								
Invert 7								
Invert 8								



**Cast (Int. Dim.) - Interior Dimensions**



Submittal Drawing  
 1/8/2026 7:55:11 AM

SUBMITTAL  
 APPROVED BY: