

Job Name: 25-1922 - Reynold's Farm
Job Location: Goodlettsville, TN 37072
Contractor: Josh King Excavation

PC: J. Jarvis
 TECH: K. Cardwell
 Plant: Beaver Dam, KY



Structure ID: **C3**
 Spec: Storm
 Type: STM.MH
 Size: 60"

Rim: 525.75'
 Invert: 518.85'
 Rim to Invert: 6.9'

Sump: 3"
 Floor (Top): 518.6'
 Floor Height: 8"

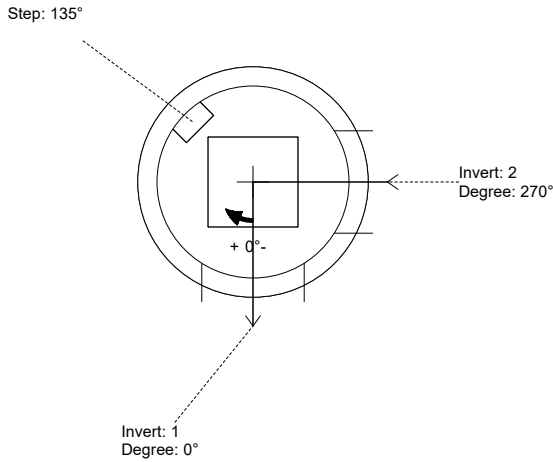
Floor (Bot): 517.933'
 Overall Height: 7.792'
 Slack: 0.3"

Structure Notes:

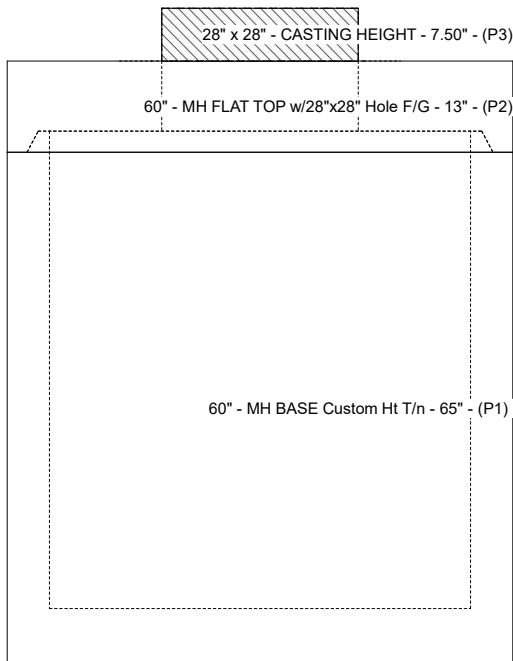
1. PER ASTM C-478 SPECS
2. CONCRETE: 4,000 PSI AT 28 DAYS
3. REINFORCEMENT:
 - FLAT LID: #5 BAR @ 6" C.C. E.W. (GRADE 60)
 - BASE: PER ASTM A615
4. STEPS AT 135 DEGREES
5. JBS 3300 FRAME, GRATE, & CURB HOOD SUPPLIED BY ICAST

STRUCTURE SUMMARY:

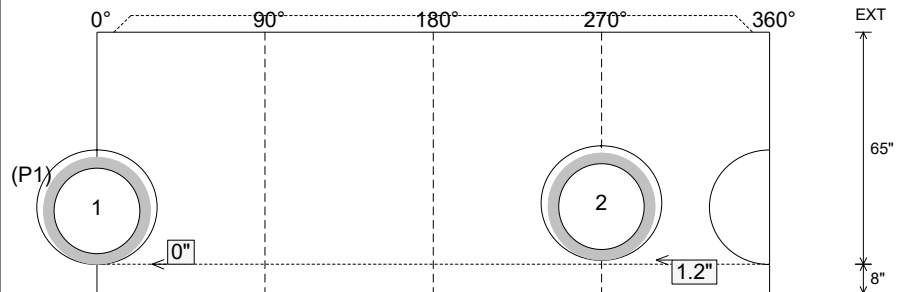
- P3) 28" x 28" - CASTING HEIGHT - 7.50" 0 lb
 - P2) 60" - MH FLAT TOP w/28"x28" Hole F/G - 13" 2645 lb
 - P1) 60" - MH BASE Custom Ht T/n - 65" 8672 lb
 - 1) CASTING - JBS 3300 SET (F/G/H) 500 lb
 - 1) 60" - Conseal CS-102 1.00" 0 lb
 - 1) 28" x 28" - Conseal CS-102 1.00" 0 lb
 - 2) Hole - 32 0 lb
 - 5) MH Step ML-10-TDS-NCR - 10" 0 lb
- Structure Total: **11817 lb**



Position	Elev	Angle	Pipe	Pipe OD	Hole	Connector	Up (")	Ref
Rim	525.75'							
Reducer								
Invert 1	518.85'	0°	24" RCP B WALL	30"	32"	Hole 32	0"	P1
Invert 2	518.95'	270°	24" RCP B WALL	30"	32"	Hole 32	1.2"	P1
Invert 3								
Invert 4								
Invert 5								
Invert 6								
Invert 7								
Invert 8								



Cast (Int. Dim.) - Interior Dimensions



Submittal Drawing
 1/8/2026 7:55:10 AM

SUBMITTAL
 APPROVED BY: