

Job Name: 25-1922 - Reynold's Farm
 Job Location: Goodlettsville, TN 37072
 Contractor: Josh King Excavation

Plant: Beaver Dam, KY
 1/8/2026 9:00:37 AM

Tech: K. Cardwell
 PC: J. Jarvis



Structure ID: C3

P1 MH060BAVF

MH BASE Custom Ht T/n

- P3) 28" x 28" - CASTING HEIGHT - 7.50"
- P2) 60" - MH FLAT TOP w/28"x28" Hole F/G - 13"
- P1) 60" - MH BASE Custom Ht T/n - 65"
- 1) CASTING - JBS 3300 SET (F/G/H)
- 1) 60" - Conseal CS-102 1.00"
- 1) 28" x 28" - Conseal CS-102 1.00"
- 2) Hole - 32
- 5) MH Step ML-10-TDS-NCR - 10"

0 lb
 2645 lb
 8672 lb
 500 lb
 0 lb
 0 lb
 0 lb
 0 lb

 Structure Total: 11817 lb

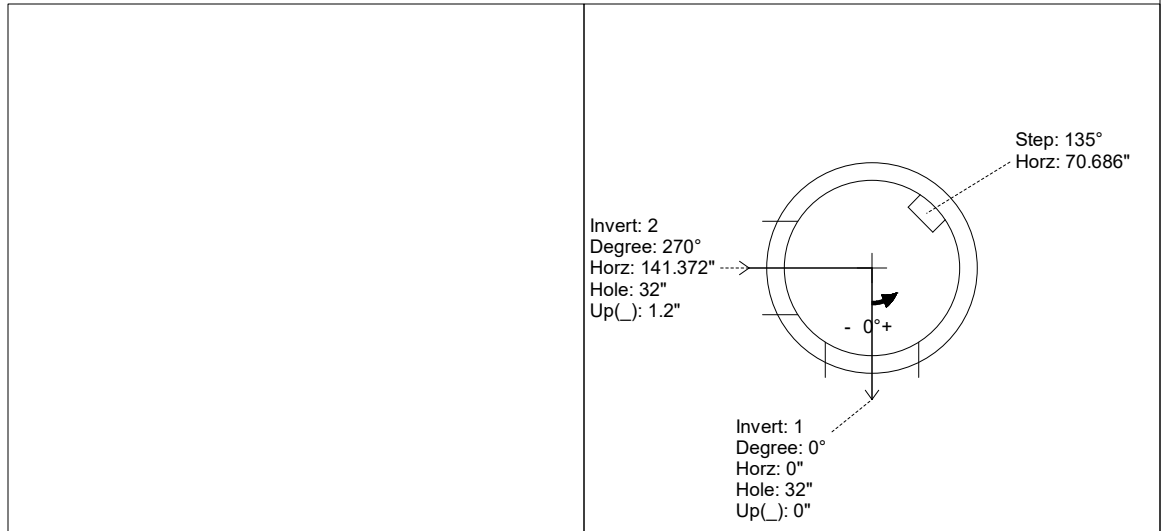
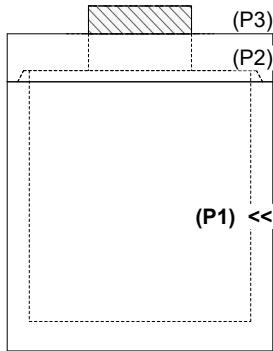
- Structure Notes:**
1. PER ASTM C-478 SPECS
 2. CONCRETE: 4,000 PSI AT 28 DAYS
 3. REINFORCEMENT: PER ASTM A615
 4. STEPS AT 135 DEGREES
 5. JBS 3300 FRAME, GRATE, & CURB HOOD SUPPLIED BY ICAST

Rim: 525.75' Rim to Invert: 6.9' Slack: 0.3" Sump: 3" Step Position: 135°

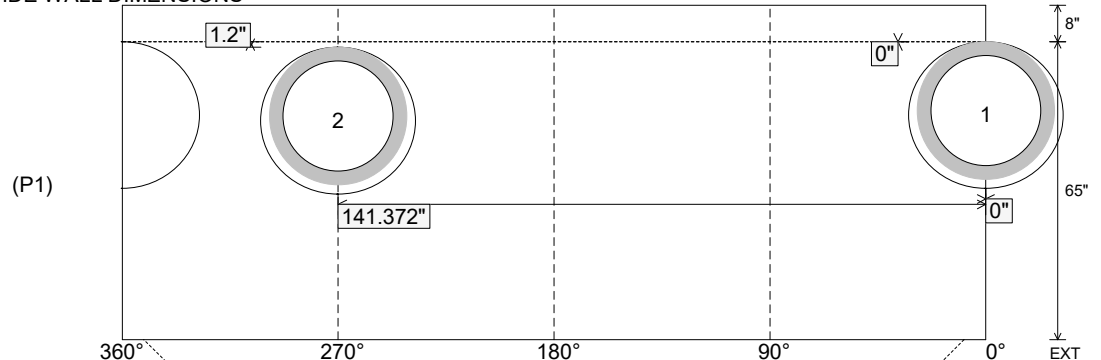
Position	Elev	Angle	Ext. (cw)	Pipe	Pipe OD	Connector	Hole	Horz Size	Up ()	Offset
Invert 1	518.85'	0°	0"	24" RCP B WALL	30"	Hole 32	32"	33.752"	0"	0"
Invert 2	518.95'	270°	169.646"	24" RCP B WALL	30"	Hole 32	32"	33.752"	1.2"	0"
Invert 3										
Invert 4										
Invert 5										
Invert 6										
Invert 7										
Invert 8										

RIGHT-SIDE UP VIEW (int. dimensions)

UPSIDE-DOWN VIEW (int. dimenions)



INSIDE WALL DIMENSIONS



Coating (Int):
 Coating (Ext):

Seam Up: Tongue
 Seam Dn: n/a

Wall Thickness: 6"
 Floor Height: 8"

Height (Int): 65"
 Height (Ext): 73"

Weight (Net): 8672 lb
 Volume (Net): 2.22cu.yd