

Job Name: 25-1922 - Reynold's Farm  
 Job Location: Goodlettsville, TN 37072  
 Contractor: Josh King Excavation

Plant: Beaver Dam, KY  
 1/8/2026 9:00:45 AM

Tech: K. Cardwell  
 PC: J. Jarvis



**Structure ID: C11**

**P1 MH048BA60**

**MH BASE T/n**

P4) 30" x 30" - CASTING HEIGHT - 8"	0 lb
P3) 30" x 30" - GRADE RING F/F - 3"	218 lb
P2) 48" - MH FLAT TOP w/30"x30" Hole F/G - 12"	1350 lb
P1) 48" - MH BASE T/n - 60"	5200 lb
1) CASTING - JBS 3300 SET (F/G/H)	500 lb
1) 48" - Conseal CS-102 1.00"	0 lb
2) 30" x 30" - Conseal CS-102 1.00"	0 lb
1) Hole - 22	0 lb
1) Hole - 12	0 lb
1) Hole - 18	0 lb
5) MH Step ML-10-TDS-NCR - 10"	0 lb
<b>Structure Total:</b>	<b>7268 lb</b>

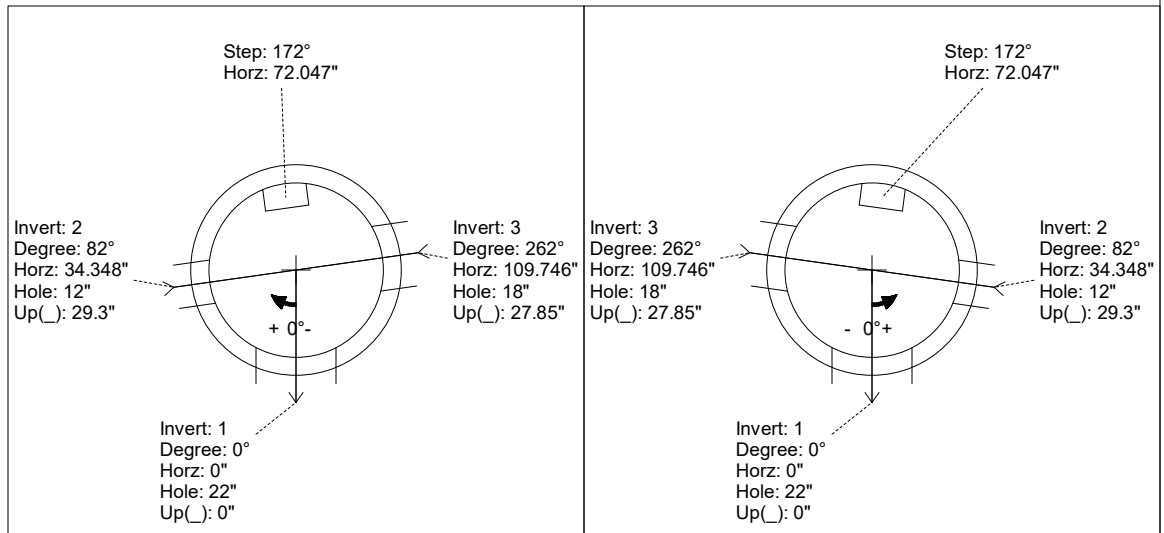
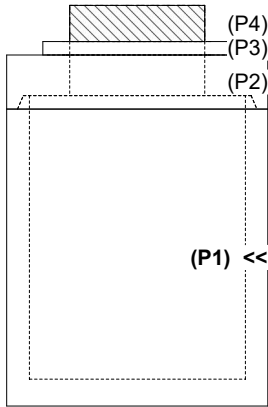
**Structure Notes:**  
 1. PER ASTM C-478 SPECS  
 2. CONCRETE: 4,000 PSI AT 28 DAYS  
 3. REINFORCEMENT: PER ASTM A615  
 4. STEPS AT 172 DEGREES  
 5. JBS 3300 FRAME, GRATE, & CURB HOOD SUPPLIED BY ICAST

Rim: 526.9' Rim to Invert: 6.85' Slack: 1.45' Sump: 2.25' Step Position: 172°

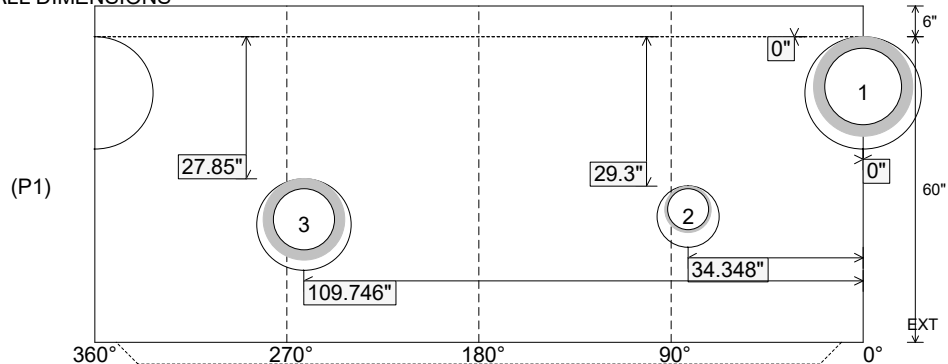
Position	Elev	Angle	Ext. (cw)	Pipe	Pipe OD	Connector	Hole	Horz Size	Up ( )	Offset
Invert 1	520.05'	0°	0"	15" RCP B WALL	19.5"	Hole 22	22"	22.854"	0"	0"
Invert 2	522.35'	82°	41.504"	8" HDPE	9.1"	Hole 12	12"	12.129"	29.3"	0"
Invert 3	522.35'	262°	132.61"	12" RCP B WALL	16"	Hole 18	18"	18.451"	27.85"	0"
Invert 4										
Invert 5										
Invert 6										
Invert 7										
Invert 8										

RIGHT-SIDE UP VIEW (int. dimensions)

UPSIDE-DOWN VIEW (int. dimensions)



INSIDE WALL DIMENSIONS



Coating (Int):  
 Coating (Ext):

Seam Up: Tongue  
 Seam Dn: n/a

Wall Thickness: 5"  
 Floor Height: 6"

Height (Int): 60"  
 Height (Ext): 66"

Weight (Net): 5200 lb  
 Volume (Net): 1.33cu.yd