

Job Name: 25-1922 - Reynold's Farm  
 Job Location: Goodlettsville, TN 37072  
 Contractor: Josh King Excavation

Plant: Beaver Dam, KY  
 1/8/2026 9:01:33 AM

Tech: K. Cardwell  
 PC: J. Jarvis



**Structure ID: C1.2**

**P3 MH048CN36**

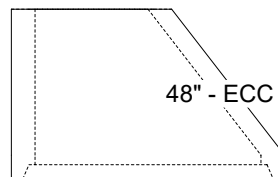
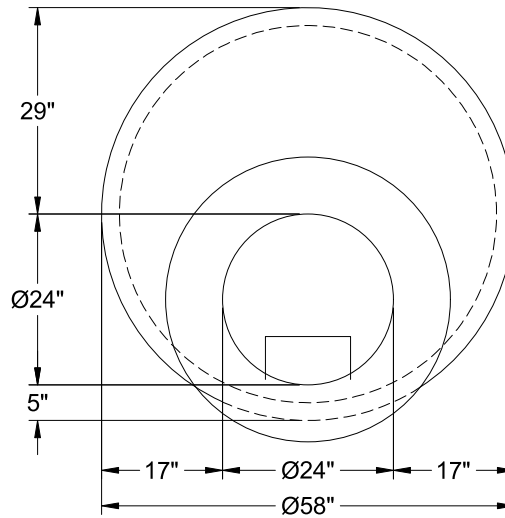
**ECC CONE w/ 24" HOLE F/G**

- P4) 24" - CASTING HEIGHT - 7"
- P3) 48" - ECC CONE w/ 24" HOLE F/G - 36"
- P2) 60" - MH Transition Slab 48" Hole T/F - 8"
- P1) 60" - MH BASE Custom Ht F/n - 47"
- 1) CASTING - JBS 1150 F/C STORM
- 1) 60" - Conseal CS-102 1.00"
- 1) 48" - Conseal CS-102 1.00"
- 2) Hole - 32
- 7) MH Step ML-10-TDS-NCR - 10"

0 lb  
 3000 lb  
 1570 lb  
 6793 lb  
 250 lb  
 0 lb  
 0 lb  
 0 lb  
 0 lb  
 -----  
 0 lb

- Structure Notes:
1. PER ASTM C-478 SPECS
  2. CONCRETE: 4,000 PSI AT 28 DAYS
  3. REINFORCEMENT: PER ASTM A615
  4. STEPS AT 220 DEGREES
  5. JBS 1150 FRAME & COVER "STORM" SUPPLIED BY ICAST

Structure Total: 11613 lb



Coating (Int):  
 Coating (Ext):

Seam Up: Flat  
 Seam Dn: Groove

Wall Thickness: 5"

Height (Ext): 36"

Weight (Net): 3000 lb  
 Volume (Net): 0.5cu.yd