

**Job Name: 25-1922 - Reynold's Farm**  
**Job Location: Goodlettsville, TN 37072**  
**Contractor: Josh King Excavation**

PC: J. Jarvis  
 TECH: K. Cardwell  
 Plant: Beaver Dam, KY



Structure ID: **C1.1 (MH)**  
 Spec: Storm  
 Type: STM.MH  
 Size: 48"

Rim: 525.9'  
 Invert: 518.15'  
 Rim to Invert: 7.75'

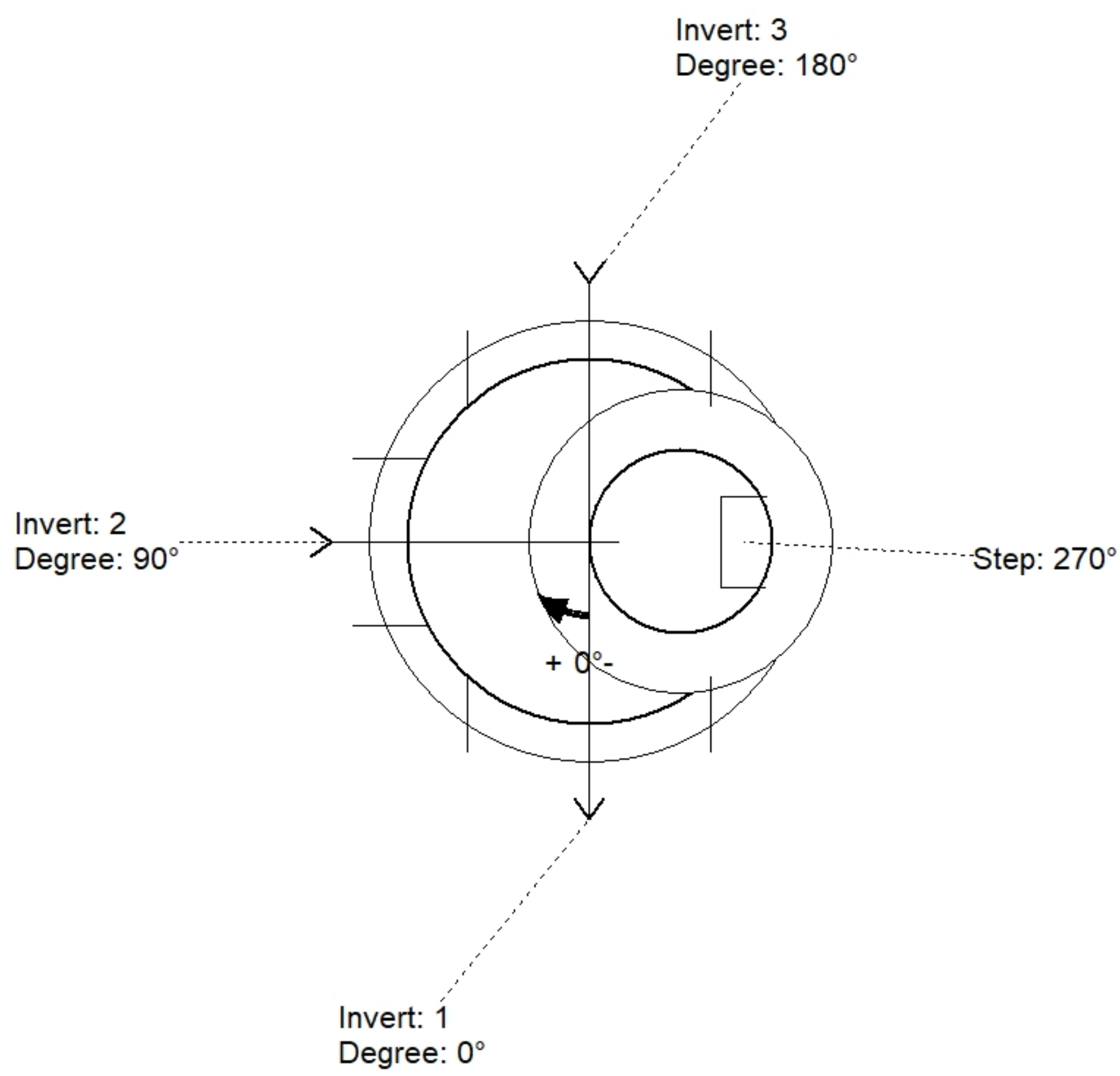
Sump: 3"  
 Floor (Top): 517.9'  
 Floor Height: 6"

Floor (Bot): 517.4'  
 Overall Height: 8.417'  
 Slack: 1"

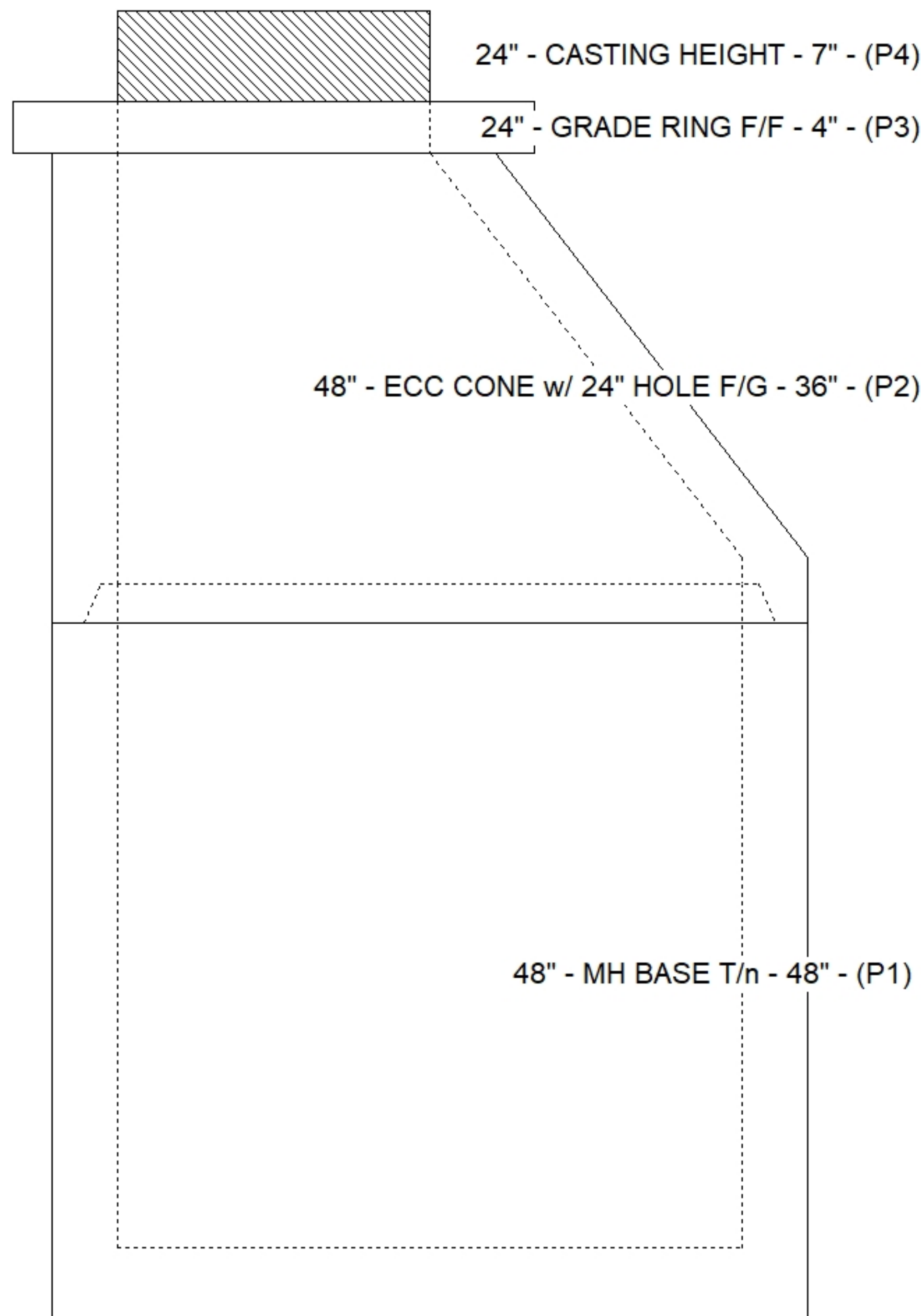
- Structure Notes:**
1. PER ASTM C-478 SPECS
  2. CONCRETE: 4,000 PSI AT 28 DAYS
  3. REINFORCEMENT: PER ASTM A615
  4. STEPS AT 270 DEGREES
  5. JBS 1150 FRAME & COVER "STORM" SUPPLIED BY ICAST

**STRUCTURE SUMMARY:**

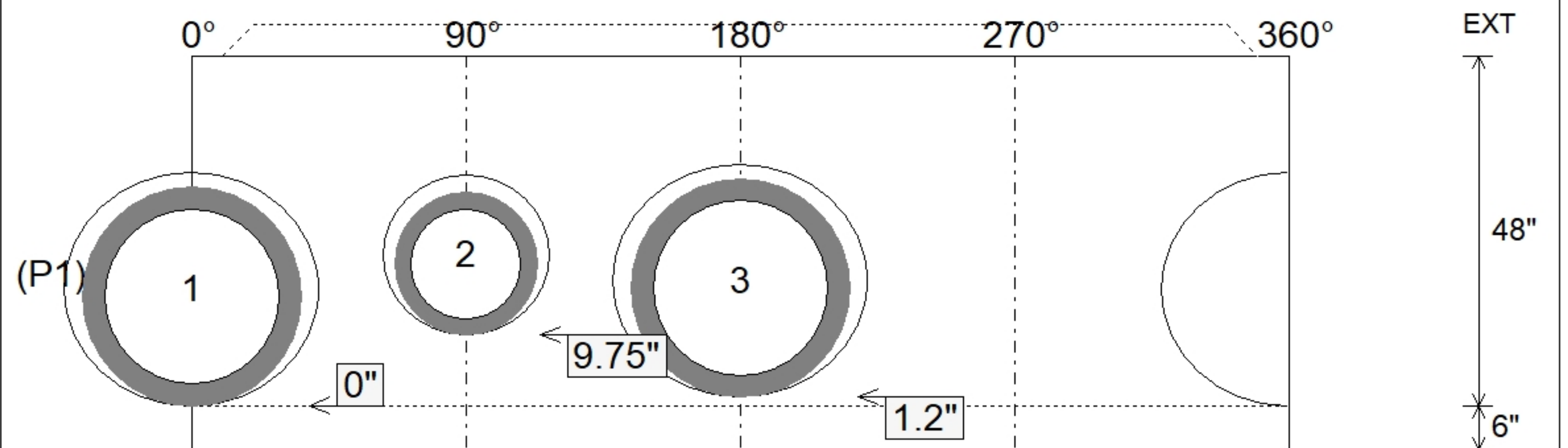
P4) 24" - CASTING HEIGHT - 7"	0 lb
P3) 24" - GRADE RING F/F - 4"	270 lb
P2) 48" - ECC CONE w/ 24" HOLE F/G - 36"	3000 lb
P1) 48" - MH BASE T/n - 48"	3792 lb
1) CASTING - JBS 1150 F/C STORM	250 lb
1) 48" - Conseal CS-102 1.00"	0 lb
2) Hole - 32	0 lb
1) Hole - 22	0 lb
7) MH Step ML-10-TDS-NCR - 10"	0 lb
<b>Structure Total:</b>	<b>7312 lb</b>



Position	Elev	Angle	Pipe	Pipe OD	Hole	Connector	Up ( )	Ref
Rim	525.9'							
Reducer								
Invert 1	518.15'	0°	24" RCP B WALL	30"	32"	Hole 32	0"	P1
Invert 2	518.9'	90°	15" RCP B WALL	19.5"	22"	Hole 22	9.75"	P1
Invert 3	518.25'	180°	24" RCP B WALL	30"	32"	Hole 32	1.2"	P1
Invert 4								
Invert 5								
Invert 6								
Invert 7								
Invert 8								



**Cast (Int. Dim.) - Interior Dimensions**



Submittal Drawing  
 10/7/2025 1:18:15 PM

SUBMITTAL  
 APPROVED BY: