

Job Name: 25-1922 - Reynold's Farm  
 Job Location: Goodlettsville, TN 37072  
 Contractor: Josh King Excavation

Plant: Beaver Dam, KY  
 1/8/2026 9:01:31 AM

Tech: K. Cardwell  
 PC: J. Jarvis



**Structure ID: B6**

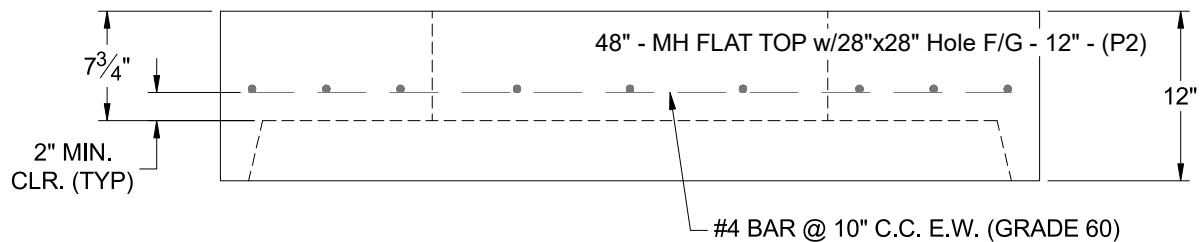
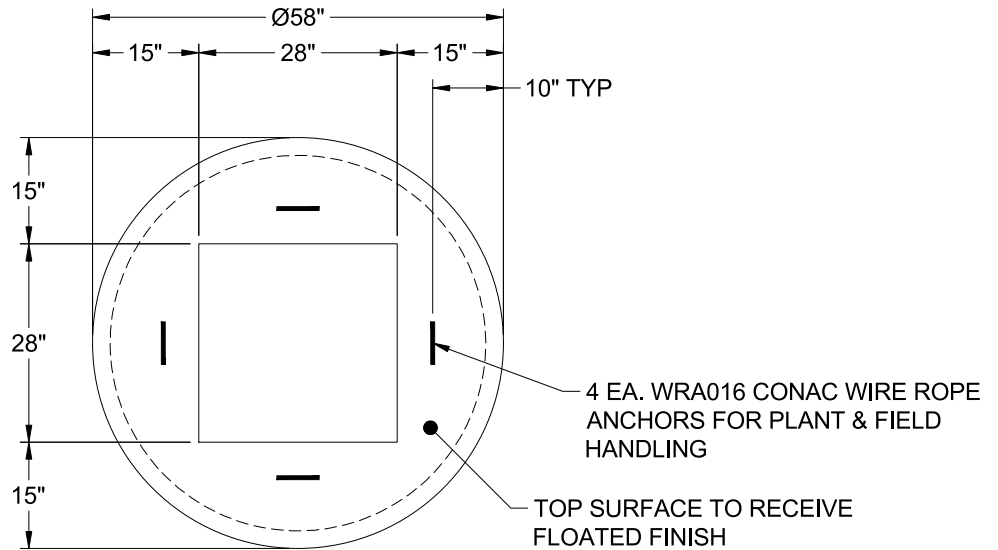
**P2 MH048LD12-28SQ**

**MH FLAT TOP w/28"x28" Hole F/G**

- P3) 28" x 28" - CASTING HEIGHT - 7.50"
- P2) 48" - MH FLAT TOP w/28"x28" Hole F/G - 12"
- P1) 48" - MH BASE T/n - 42"
- 1) CASTING - JBS 3300 SET (F/G/H)
- 1) 48" - Conseal CS-102 1.00"
- 1) 28" x 28" - Conseal CS-102 1.00"
- 2) Hole - 18
- 3) MH Step ML-10-TDS-NCR - 10"

	0 lb
	1368 lb
	4046 lb
	500 lb
	0 lb
	0 lb
	0 lb
	0 lb
Structure Total:	5914 lb

- Structure Notes:**
1. PER ASTM C-478 SPECS
  2. CONCRETE: 4,000 PSI AT 28 DAYS
  3. REINFORCEMENT: #4 BAR @ 10" C.C. E.W. (GRADE 60) - 2" MIN. REBAR CLEARANCE (TYP)
  4. STEPS AT 107 DEGREES
  5. JBS 3300 FRAME, GRATE, & CURB HOOD SUPPLIED BY ICAST
  6. LIFTERS: 4 EA. WRA016 CONAC WIRE ROPE ANCHORS FOR PLANT & FIELD HANDLING



Coating (Int): Coating (Ext):	Seam Up: Flat Seam Dn: Groove	Wall Thickness: 5"	Height (Ext): 12"	Weight (Net): 1368 lb Volume (Net): 0.35cu.yd
----------------------------------	----------------------------------	--------------------	-------------------	--