

Job Name: 25-1922 - Reynold's Farm
 Job Location: Goodlettsville, TN 37072
 Contractor: Josh King Excavation

Plant: Beaver Dam, KY
 10/7/2025 12:52:11 PM

Tech: K. Cardwell
 PC: J. Jarvis



Structure ID: B2 (CB)

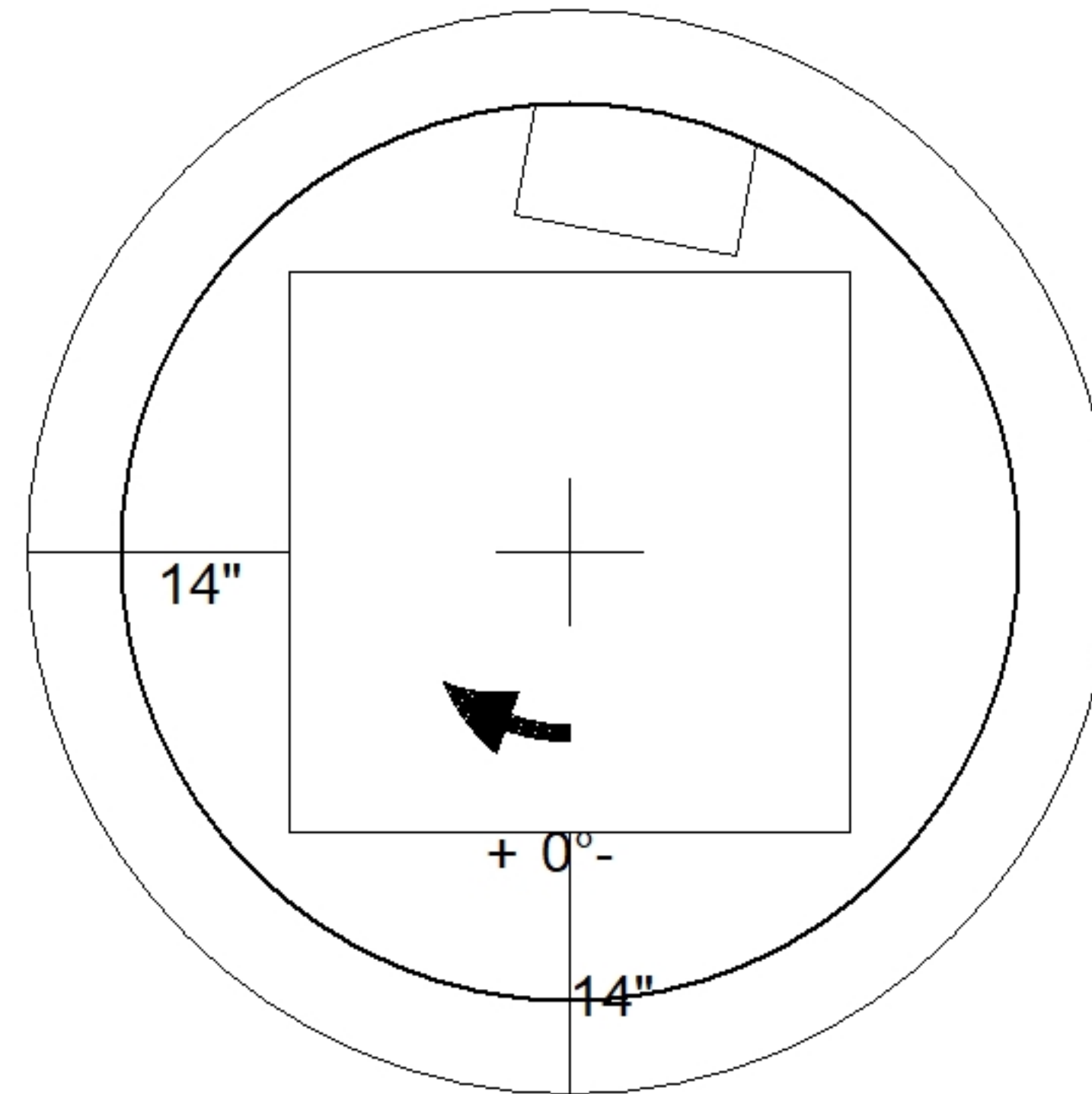
P2 MH048LD12S

MH FLAT TOP w/30"x30" Hole F/G

- P3) 30" x 30" - CASTING HEIGHT - 6"
- P2) 48" - MH FLAT TOP w/30"x30" Hole F/G - 12"
- P1) 48" - MH BASE T/n - 60"
- 1) CASTING - JBS 4310 F/G
- 1) 48" - Conseal CS-102 1.00"
- 1) 30" x 30" - Conseal CS-102 1.00"
- 2) Hole - 26
- 1) Hole - 18
- 5) MH Step ML-10-TDS-NCR - 10"

Structure Notes:

1. PER ASTM C-478 SPECS
2. CONCRETE: 4,000 PSI AT 28 DAYS
3. REINFORCEMENT:
 - FLAT LID: #4 BAR @ 10" C.C. E.W. (GRADE 60)
 - BASE: PER ASTM A615
4. STEPS AT 190 DEGREES
5. JBS 4310 FRAME & GRATE SUPPLIED BY ICAST



48" - MH FLAT TOP w/30"x30" Hole F/G - 12" - (P2)

Coating (Int): Coating (Ext):	Seam Up: Flat Seam Dn: Groove	Wall Thickness: 5"	Height (Ext): 12"	Weight (Net): 1350 lb Volume (Net): 0.33cu.yd
----------------------------------	----------------------------------	--------------------	-------------------	--