

Job Name: 25-1922 - Reynold's Farm
 Job Location: Goodlettsville, TN 37072
 Contractor: Josh King Excavation

Plant: Beaver Dam, KY

Tech: K. Cardwell

1/8/2026 9:00:34 AM

PC: J. Jarvis



Structure ID: B12

P1 MH048BAVF

MH BASE Custom Ht F/n

- P3) 28" x 28" - CASTING HEIGHT - 7.50"
- P2) 48" - MH FLAT TOP w/28"x28" Hole F/F - 7"
- P1) 48" - MH BASE Custom Ht F/n - 56"
- 1) CASTING - JBS 3300 SET (F/G/H)
- 1) 48" - Conseal CS-102 1.00"
- 1) 28" x 28" - Conseal CS-102 1.00"
- 1) Hole - 22
- 2) Hole - 12
- 1) Hole - 18
- 4) MH Step ML-10-TDS-NCR - 10"

0 lb
 1091 lb
 4873 lb
 500 lb
 0 lb
 0 lb
 0 lb
 0 lb
 0 lb
 0 lb
 0 lb

 Structure Total: 6464 lb

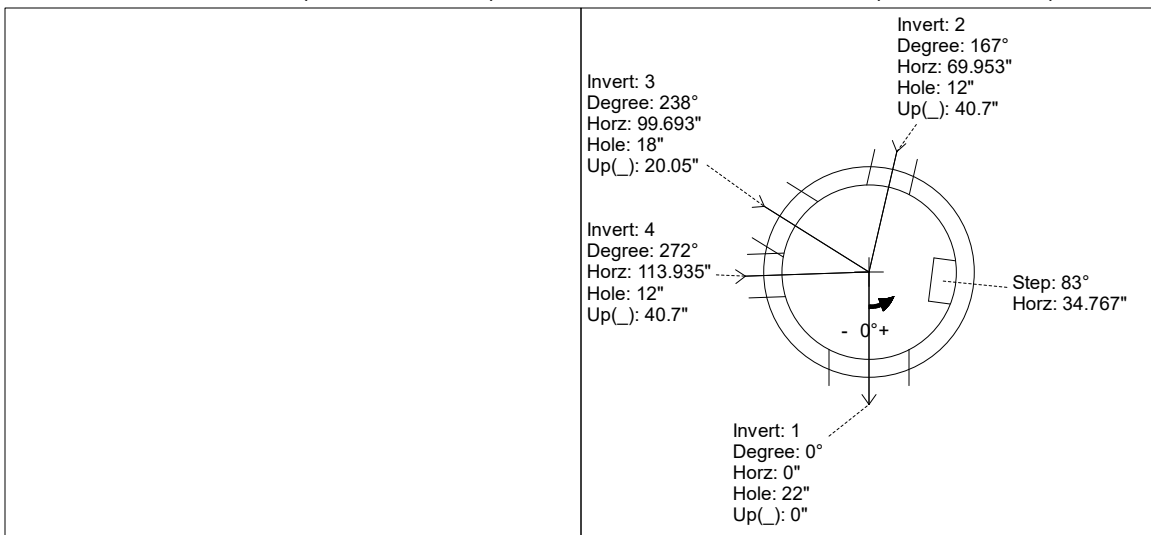
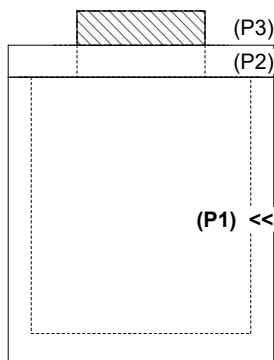
- Structure Notes:**
1. PER ASTM C-478 SPECS
 2. CONCRETE: 4,000 PSI AT 28 DAYS
 3. REINFORCEMENT: PER ASTM A615
 4. STEPS AT 83 DEGREES
 5. JBS 3300 FRAME, GRATE, & CURB HOOD SUPPLIED BY ICAST

Rim: 529.11' Rim to Invert: 5.76' Slack: 0.87" Sump: 2.25" Step Position: 83°

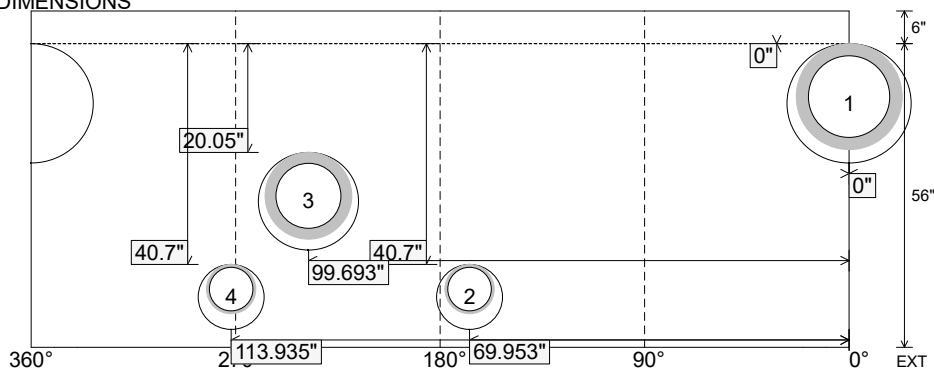
Position	Elev	Angle	Ext. (cw)	Pipe	Pipe OD	Connector	Hole	Horz Size	Up ()	Offset
Invert 1	523.35'	0°	0"	15" RCP B WALL	19.5"	Hole 22	22"	22.854"	0"	0"
Invert 2	526.6'	167°	84.526"	8" HDPE	9.1"	Hole 12	12"	12.129"	40.7"	0"
Invert 3	525'	238°	120.463"	12" RCP B WALL	16"	Hole 18	18"	18.451"	20.05"	0"
Invert 4	526.6'	272°	137.672"	8" HDPE	9.1"	Hole 12	12"	12.129"	40.7"	0"
Invert 5										
Invert 6										
Invert 7										
Invert 8										

RIGHT-SIDE UP VIEW (int. dimensions)

UPSIDE-DOWN VIEW (int. dimensions)



INSIDE WALL DIMENSIONS



Coating (Int):
 Coating (Ext):

Seam Up: Flat
 Seam Dn: n/a

Wall Thickness: 5"
 Floor Height: 6"

Height (Int): 56"
 Height (Ext): 62"

Weight (Net): 4873 lb
 Volume (Net): 1.25cu.yd