

Job Name: 25-1922 - Reynold's Farm
Job Location: Goodlettsville, TN 37072
Contractor: Josh King Excavation

PC: J. Jarvis
 TECH: K. Cardwell
 Plant: Beaver Dam, KY



Structure ID: **B1 (CB)**
 Spec: Storm
 Type: STM.MH
 Size: 48"

Rim: 525.5'
 Invert: 517.25'
 Rim to Invert: 8.25'

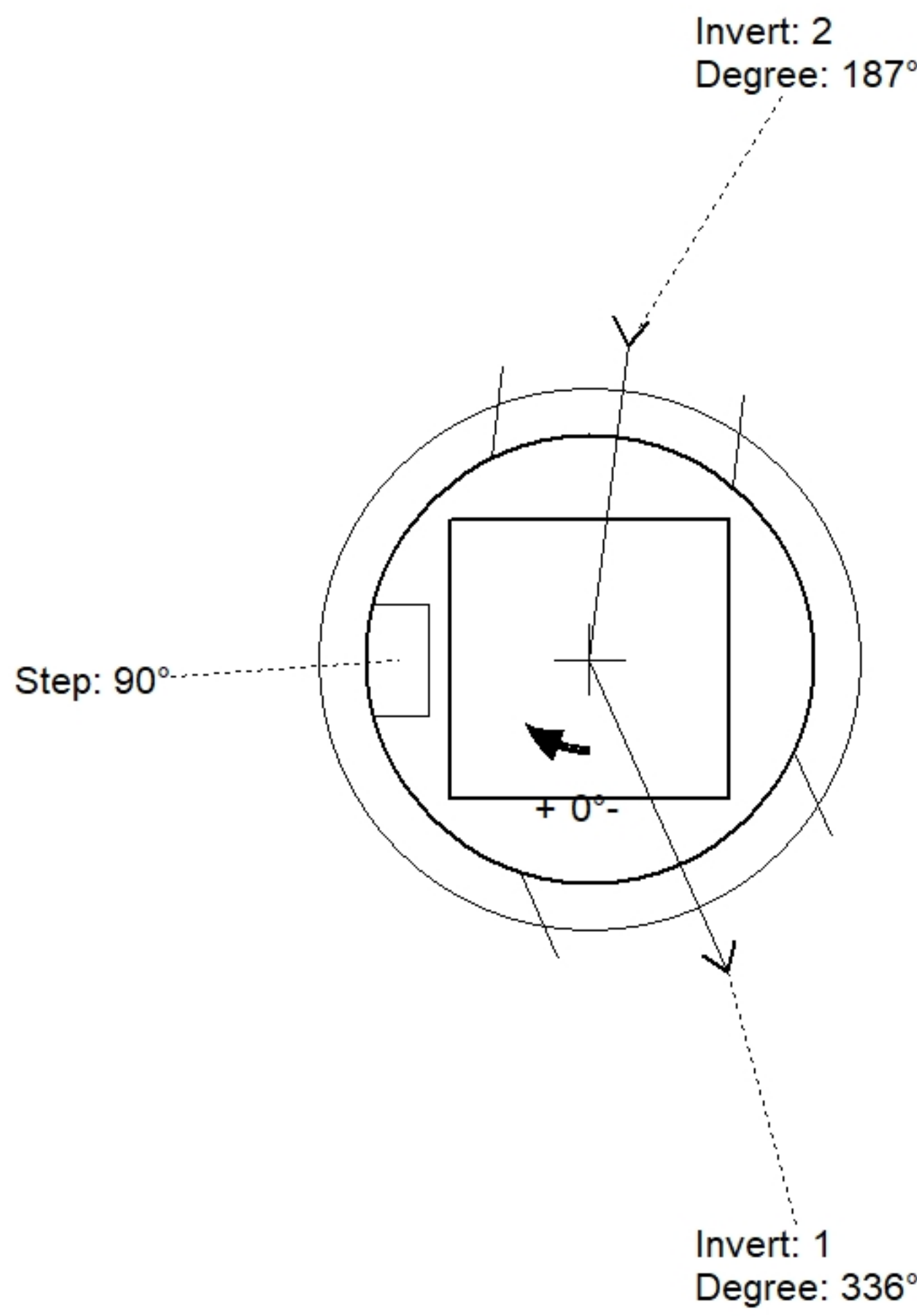
Sump: 3"
 Floor (Top): 517'
 Floor Height: 6"

Floor (Bot): 516.5'
 Overall Height: 9'
 Slack: 0"

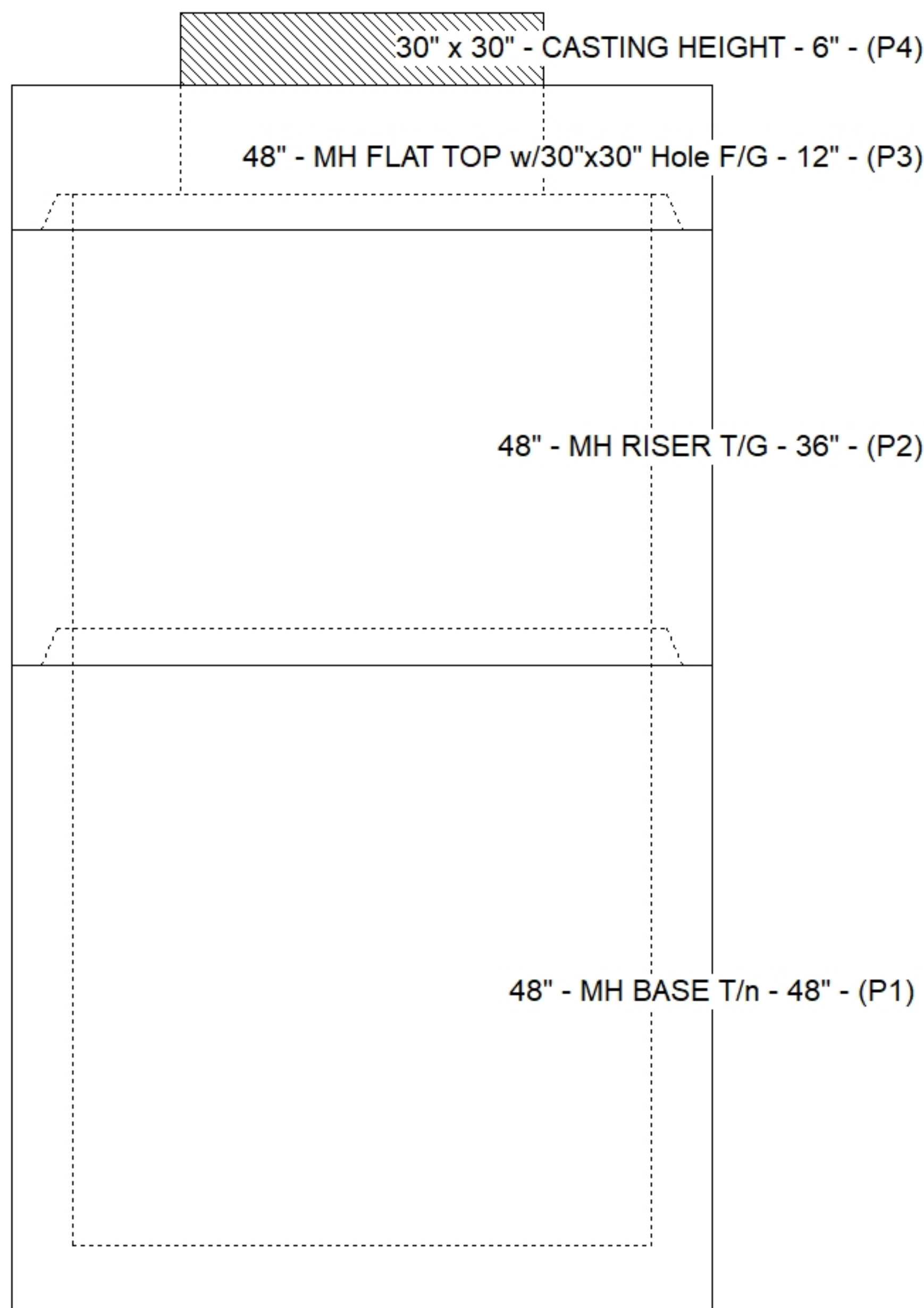
- Structure Notes:**
- PER ASTM C-478 SPECS
 - CONCRETE: 4,000 PSI AT 28 DAYS
 - REINFORCEMENT:
 - FLAT LID: #4 BAR @ 10" C.C. E.W. (GRADE 60)
 - BASE: PER ASTM A615
 - STEPS AT 90 DEGREES
 - JBS 4310 FRAME & GRATE SUPPLIED BY ICAST

STRUCTURE SUMMARY:

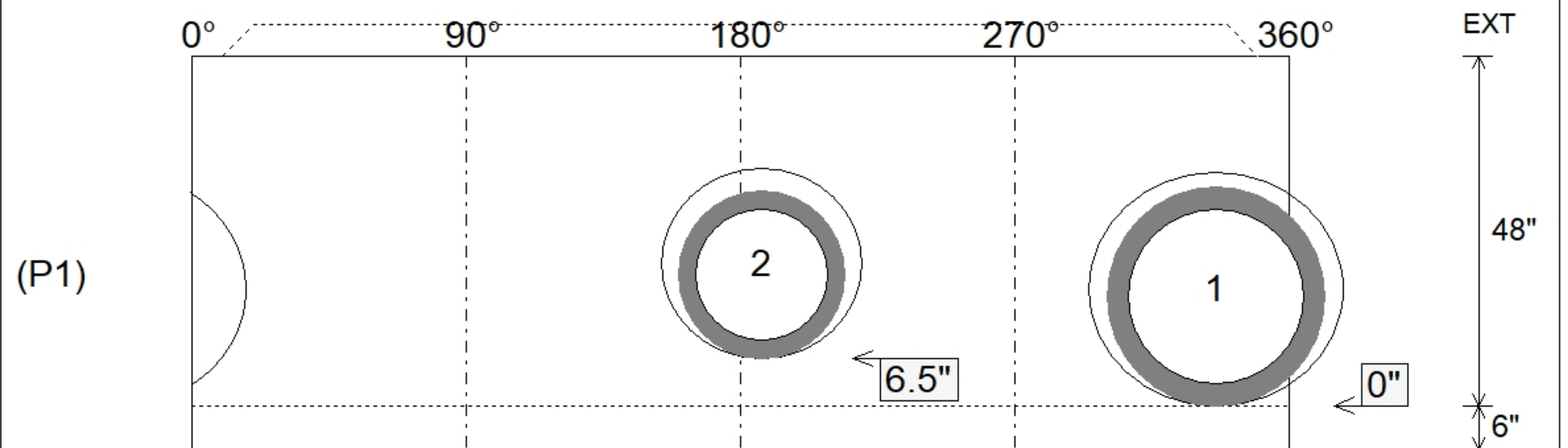
P4) 30" x 30" - CASTING HEIGHT - 6"	0 lb
P3) 48" - MH FLAT TOP w/30"x30" Hole F/G - 12"	1350 lb
P2) 48" - MH RISER T/G - 36"	2515 lb
P1) 48" - MH BASE T/n - 48"	4087 lb
1) CASTING - JBS 4310 F/G	500 lb
2) 48" - Conseal CS-102 1.00"	0 lb
1) 30" x 30" - Conseal CS-102 1.00"	0 lb
1) Hole - 32	0 lb
1) Hole - 26	0 lb
7) MH Step ML-10-TDS-NCR - 10"	0 lb
Structure Total:	8452 lb



Position	Elev	Angle	Pipe	Pipe OD	Hole	Connector	Up (L)	Ref
Rim	525.5'							
Reducer								
Invert 1	517.25'	336°	24" RCP B WALL	30"	32"	Hole 32	0"	P1
Invert 2	517.75'	187°	18" RCP B WALL	23"	26"	Hole 26	6.5"	P1
Invert 3								
Invert 4								
Invert 5								
Invert 6								
Invert 7								
Invert 8								



Cast (Int. Dim.) - Interior Dimensions



Submittal Drawing
 10/7/2025 1:18:12 PM

SUBMITTAL
 APPROVED BY: