

**Job Name: 25-1917B - Liochem Vault**  
**Job Location: Franklin, KY**  
**Contractor: Warren County Water District**

PC: T. Lewis  
 TECH: J. Horsley - F  
 Plant: 100



Structure ID: **51917B (3)**  
 Spec: Storm  
 Type: BX 8inW, (Open Btm)  
 Size: 48" x 48"

Rim: 1'  
 Invert: 1'  
 Rim to Invert: 0'

Sump: 12"  
 Floor (Top): 0"  
 Floor Height: 0"

Floor (Bot): 0'  
 Overall Height: 1'  
 Slack: 0"

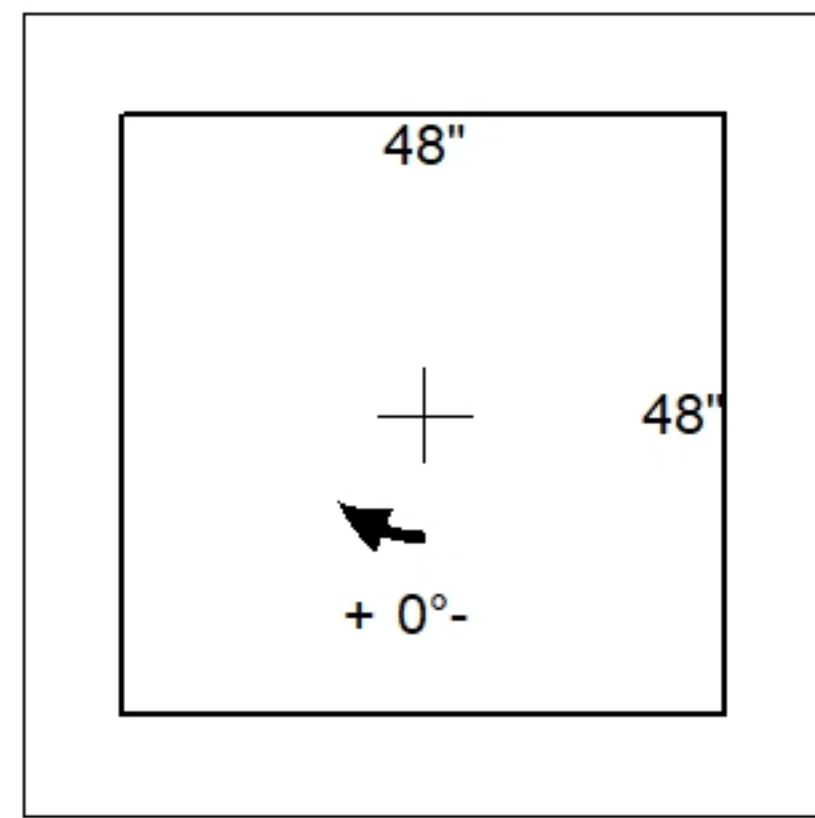
Structure Notes:

1. PER ASTM C913 SPECIFICATIONS.
2. CONCRETE = 4,000 PSI AT 28 DAYS.
3. NO STEPS AND NO INVERT CHANNEL.

REINFORCING PER ASTM A615 (GRADE 60)  
 - WALLS (As .47) #5 BARS AT 8" C.C.E.W.

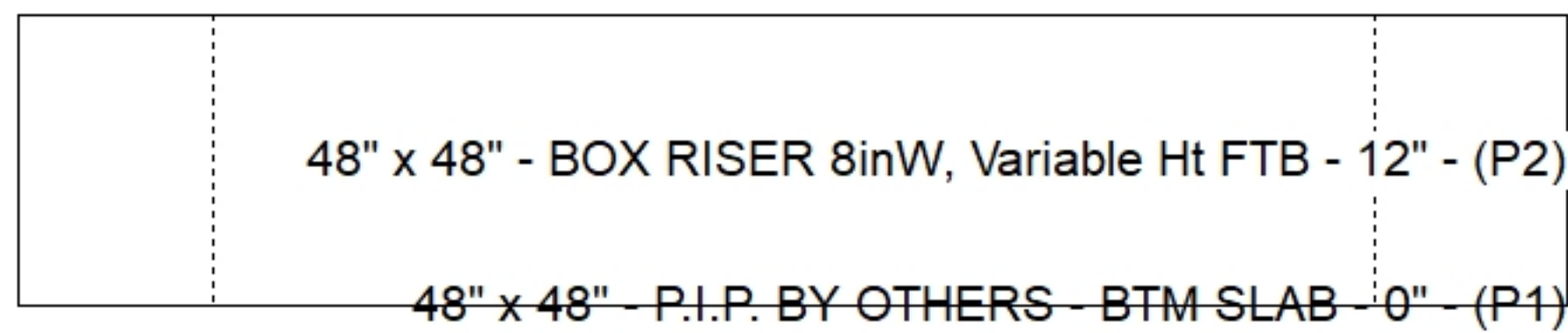
STRUCTURE SUMMARY:

P2) 48" x 48" - BOX RISER 8inW, Variable Ht FTB - 12" 1804 lb  
 P1) 48" x 48" - P.I.P. BY OTHERS - BTM SLAB - 0" 0 lb  
 2) 48" x 48" - Conseal CS-102 1.00" (Double) 0 lb  
 -----  
 Structure Total: 1804 lb



Position	Elev	Angle	Pipe	Pipe OD	Hole	Connector	Up ( )	Ref
Rim	1'							
Reducer								
Invert 1								
Invert 2								
Invert 3								
Invert 4								
Invert 5								
Invert 6								
Invert 7								
Invert 8								

**Default - Interior Dimensions**



(P1) \_\_\_\_\_ Front \_\_\_\_\_ Right \_\_\_\_\_ Back \_\_\_\_\_ Left \_\_\_\_\_ EXT X0"

Submittal Drawing  
 12/9/2025 8:52:04 AM

SUBMITTAL  
 APPROVED BY: