


| | | | |
|--|----------------------|----------------------|--|
| Job Name: 25-1917B - Liochem Vault | Plant: 100 | Tech: J. Horsley - F |  |
| Job Location: Franklin, KY | 12/8/2025 1:35:44 PM | PC: T. Lewis | |
| Contractor: Warren County Water District | | | |

Structure ID: 51917B (3)

P1 P.I.P. BY OTHERS - BTM SLAB

| | |
|---|---------|
| P2) 48" x 48" - BOX RISER 8inW, Variable Ht FTB - 12" | 1804 lb |
| P1) 48" x 48" - P.I.P. BY OTHERS - BTM SLAB - 0" | 0 lb |
| 2) 48" x 48" - Conseal CS-102 1.00" (Double) | 0 lb |
| Structure Total: | 1804 lb |

Structure Notes:
 1. PER ASTM C913 SPECIFICATIONS.
 2. CONCRETE = 4,000 PSI AT 28 DAYS.
 3. NO STEPS AND NO INVERT CHANNELL.

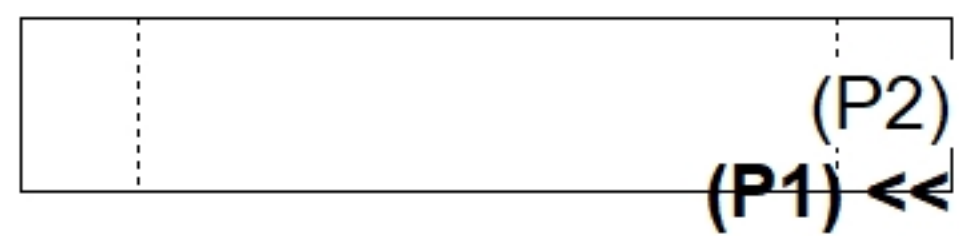
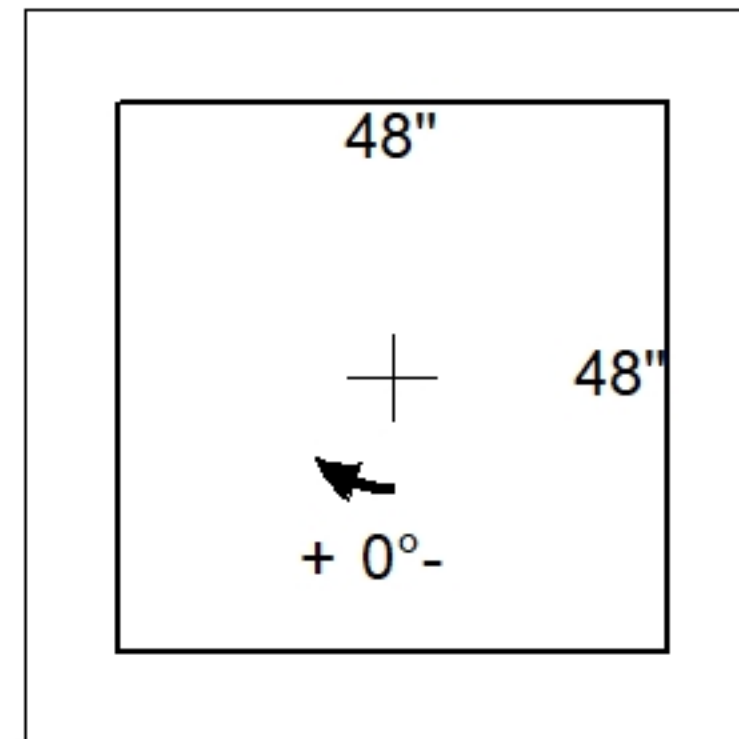
 REINFORCING PER ASTM A615 (GRADE 60)
 - WALLS (As .47) #5 BARS AT 8" C.C.E.W.

Rim: 1' Rim to Invert: 0' Slack: 0" Sump: 12" Step Position:

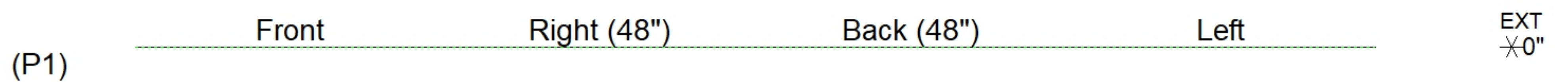
| Position | Elev | Angle | Ext. (cw) | Pipe | Pipe OD | Connector | Hole | Horz Size | Up (L) | Offset |
|----------|------|-------|-----------|------|---------|-----------|------|-----------|--------|--------|
| Invert 1 | | | | | | | | | | |
| Invert 2 | | | | | | | | | | |
| Invert 3 | | | | | | | | | | |
| Invert 4 | | | | | | | | | | |
| Invert 5 | | | | | | | | | | |
| Invert 6 | | | | | | | | | | |
| Invert 7 | | | | | | | | | | |
| Invert 8 | | | | | | | | | | |

RIGHT-SIDE UP VIEW (int. dimensions)

UPSIDE-DOWN VIEW (int. dimenions)



INSIDE WALL DIMENSIONS



| | | | | |
|----------------|---------------|--------------------|------------------|----------------------|
| Coating (Int): | Seam Up: Flat | Wall Thickness: 8" | Height (Int): 0" | Weight (Net): 0 lb |
| Coating (Ext): | Seam Dn: n/a | Floor Height: 0" | Height (Ext): 0" | Volume (Net): 0cu.yd |