

Job Name: 25-1862 Commerce Drive Extension Job Location: Elizabethtown, KY Contractor: Dirt Works Unlimited, LLC.	Plant: Beaver Dam 11/26/2025 9:40:30 AM	Tech: J. Coppage PC: C. Goff	
---	--	---------------------------------	--

Structure ID: 48+80 LT (KYTC CBI TY F)

P1 BX2424-08BAVF

BOX BASE 8inW, 8inF, Variable Ht F/n

P2) 24" x 24" - CASTING HEIGHT - 5"	0 lb
P1) 24" x 24" - BOX BASE 8inW, 8inF, Variable Ht F/n - 56"	5318 lb
1) 24" x 24" - Conseal CS-102 1.00"	0 lb
2) Hole - 24"	0 lb
Structure Total:	5318 lb

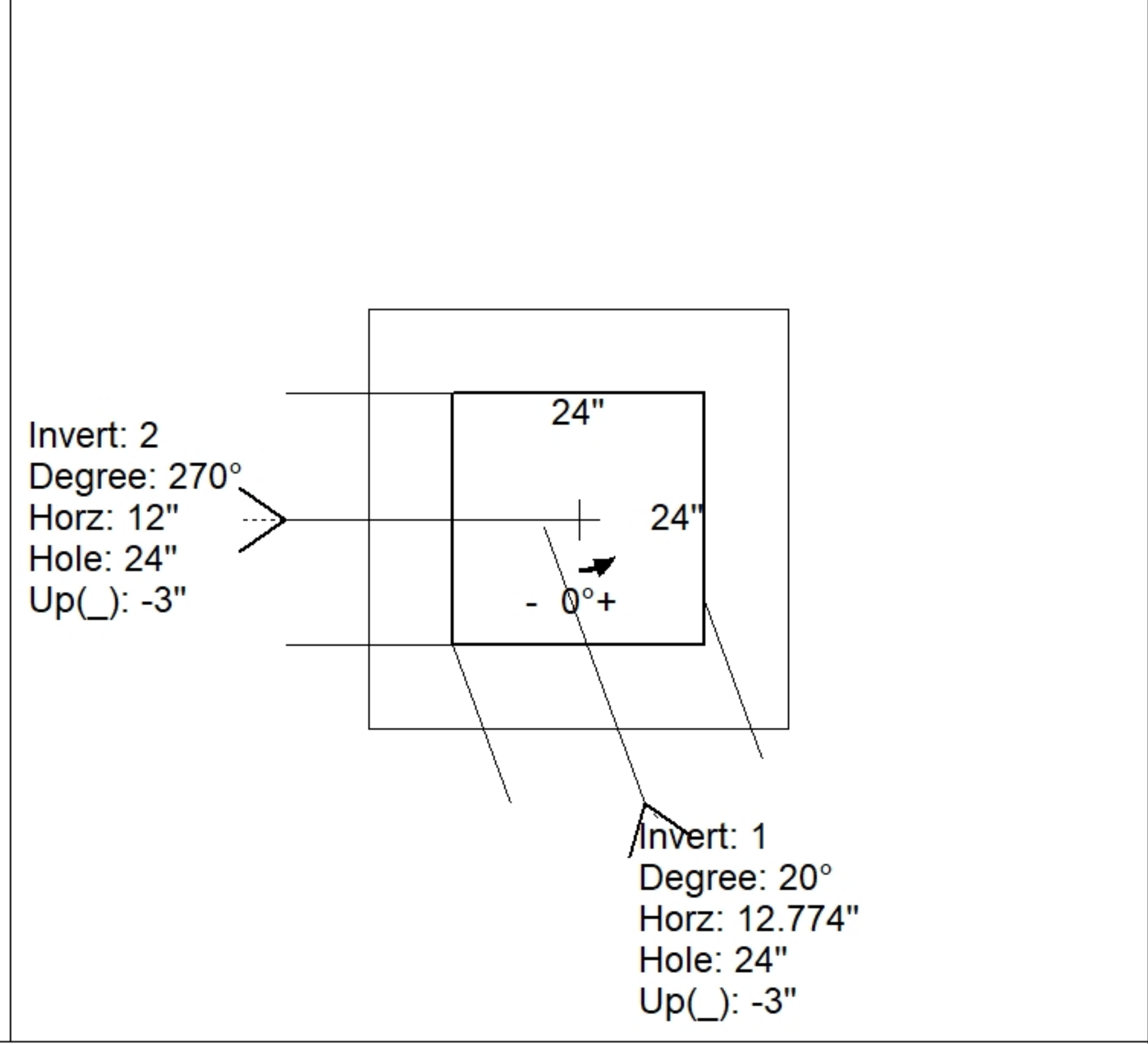
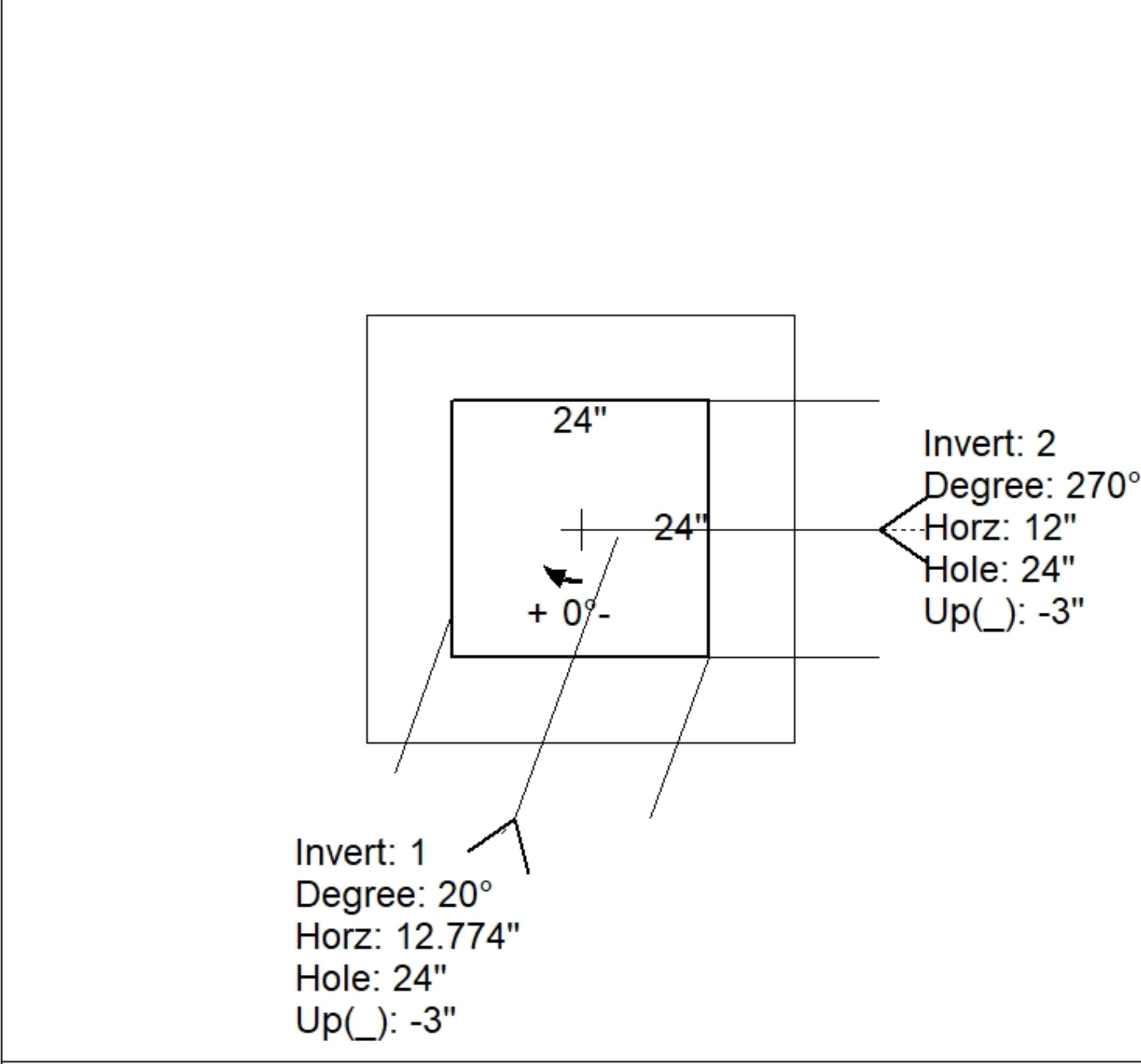
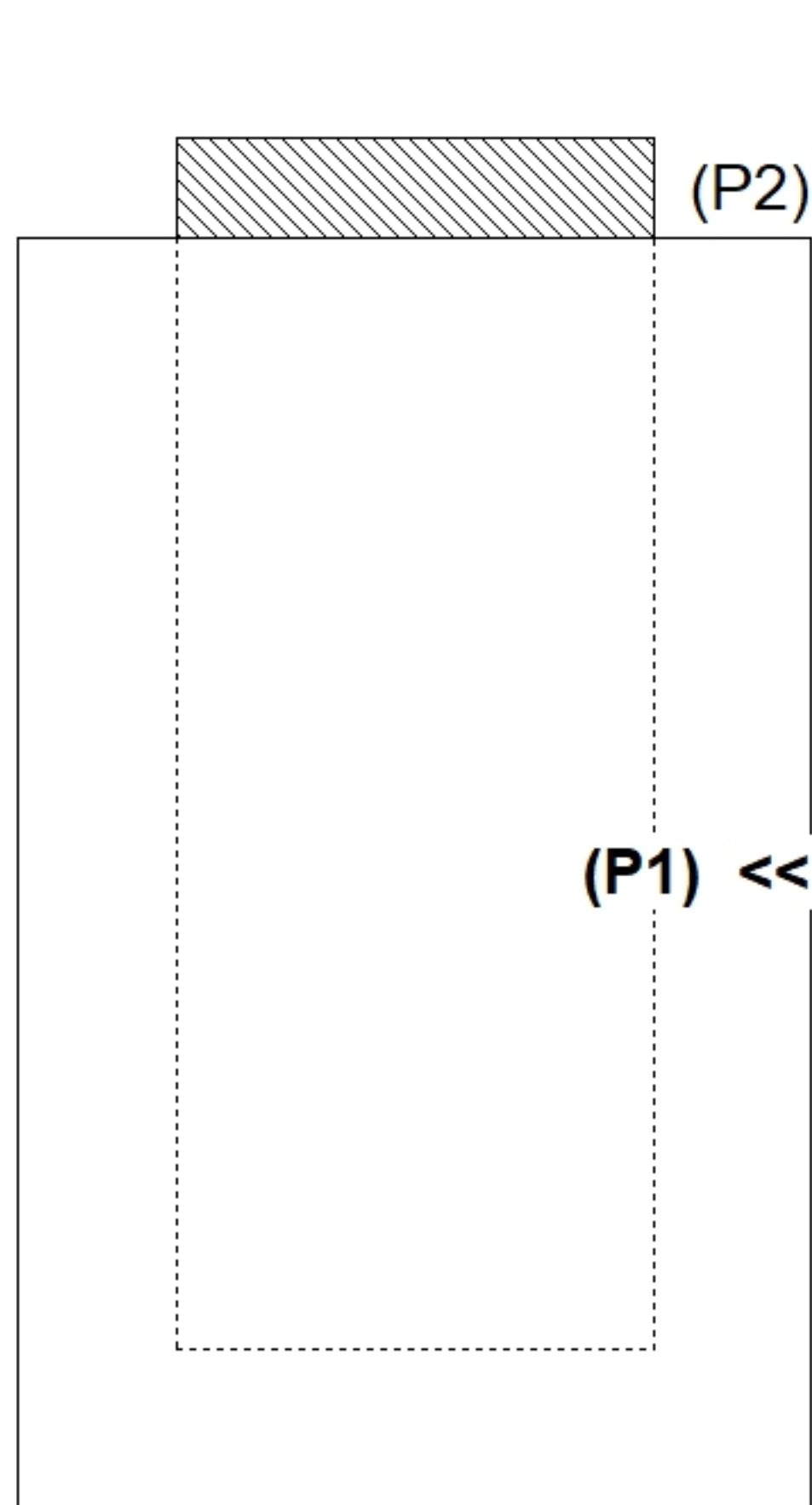
Structure Notes:
 1. JR HOE KY-465 SET BY ICAST.
 2. KYTC CBI TYPE F / ASTM C913 SPECIFICATIONS.
 3. CONCRETE = 4,000 PSI AT 28 DAYS.
 4. REINFORCING PER ASTM A615 (GRADE 60).
 - WALLS (As .31) #5 BARS AT 12" C.C.E.W.
 - FLOOR (As .31) #5 BARS AT 12" C.C.E.W.

Rim: 784.5' Rim to Invert: 5.15' Slack: 0.8" Sump: 0" Step Position:

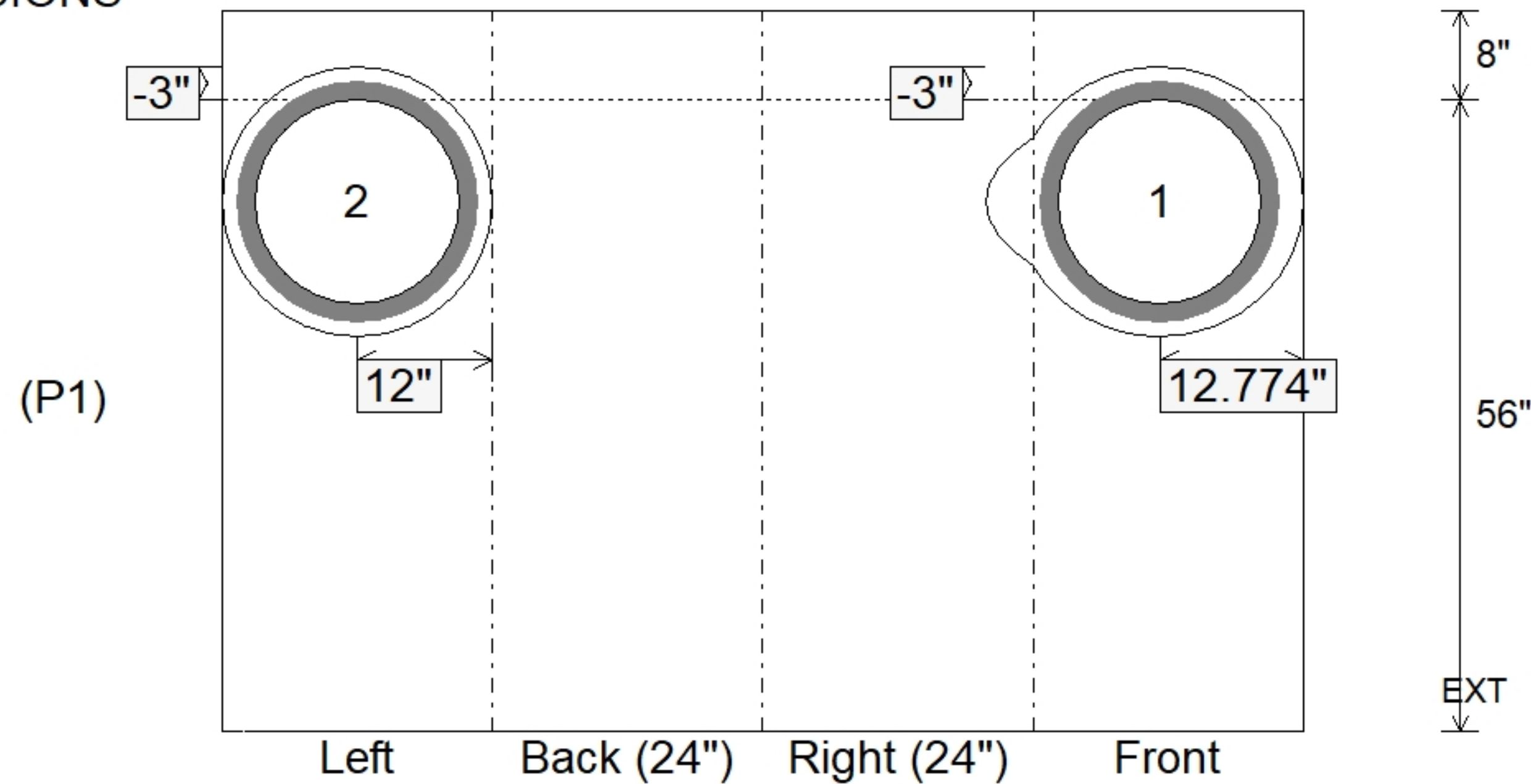
Position	Elev	Angle	Ext. (cw)	Pipe	Pipe OD	Connector	Hole	Horz Size	Up ()	Offset
Invert 1	779.35'	20°	23.686"	18" HDPE	21.2"	Hole 24	24"	23.996", 4.243"	-3"	-3.377"
Invert 2	779.35'	270°	20"	18" HDPE	21.2"	Hole 24	24"	24"	-3"	0"
Invert 3										
Invert 4										
Invert 5										
Invert 6										
Invert 7										
Invert 8										

RIGHT-SIDE UP VIEW (int. dimensions)

UPSIDE-DOWN VIEW (int. dimensions)



INSIDE WALL DIMENSIONS



Coating (Int): Coating (Ext):	Seam Up: Flat Seam Dn: n/a	Wall Thickness: 8" Floor Height: 8"	Height (Int): 56" Height (Ext): 64"	Weight (Net): 5318 lb Volume (Net): 1.36cu.yd
----------------------------------	-------------------------------	--	--	--