

Job Name: 25-1784 ASTRAZENECA WASTE WATER REUSE
Job Location: MOUNT VERNON, IN
Contractor: Koberstein Contracting, Inc.

PC: E. BRADLEY
 TECH: J. COPPAGE
 Plant: BEAVER DAM



Structure ID: **WET WELL**

Spec: Sanitary
 Type: SAN.MH w/ConBlock-CDA Red
 Size: 72"

Rim: 382.54'
 Invert: 374.29'
 Rim to Invert: 8.25'

Sump: 95.28"
 Floor (Top): 366.35'
 Floor Height: 8"

Floor (Bot): 365.683'
 Overall Height: 16.875'
 Slack: -0.22"

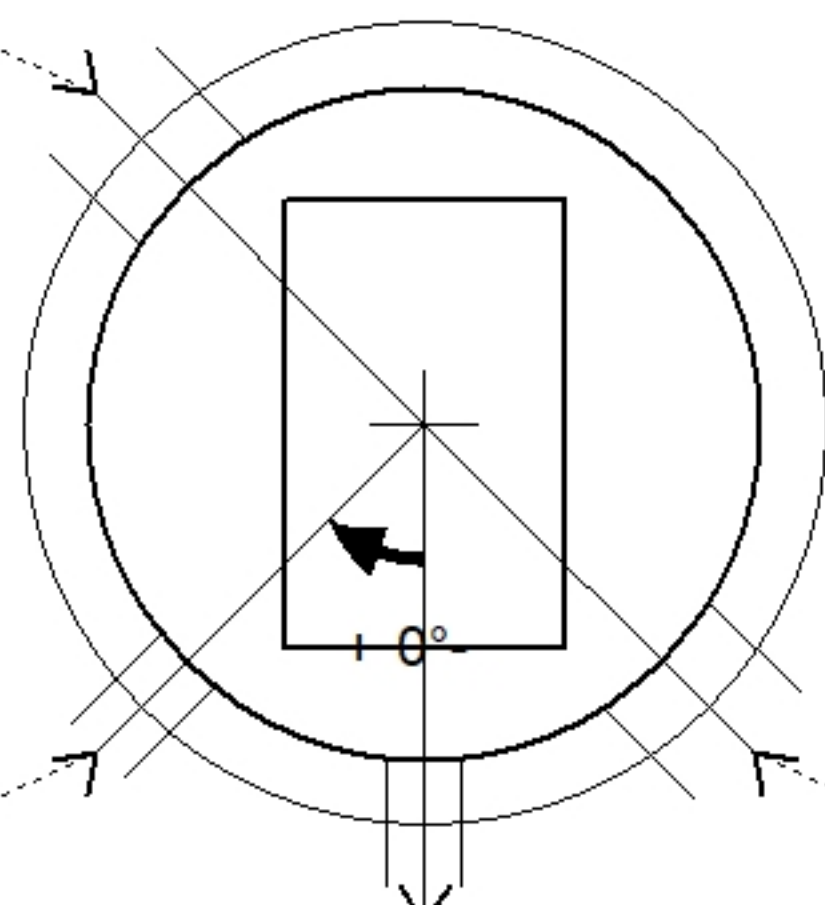
Structure Notes:

- PER ASTM C478 SPECIFICATIONS.
- CONCRETE = 4,000 PSI AT 28 DAYS.
- REINFORCING PER ASTM A615 (GRADE 60).
 - TOP SLAB (As .31) #5 BARS AT 6" C.C.E.W.
 - RISER/WALLS (As .12)
 - FLOOR (As .37) #5 BARS AT 10" C.C.E.W.

STRUCTURE SUMMARY:

P5) 30" x 48" - CASTING HEIGHT - 0"	0 lb
P4) 72" - MH FLAT TOP w/30"x48" Hatch w/ConBlock-CDA Red - 15"	4048 lb
P3) 72" - MH RISER w/ConBlock-CDA Red - 36"	5248 lb
P2) 72" - MH RISER Custom Ht, w/ConBlock-CDA Red - 71.5"	10126 lb
P1) 72" - MH BASE w/ConBlock-CDA Red - 72"	14396 lb
1) This Structure Includes a Cast-in Item	0 lb
1) JOINT WRAP - 0.065"x12"x50' CONSEAL CS212	0 lb
1) JOINT WRAP PRIMER - CONSEAL CS-75 (1 gal.)	0 lb
1) 72" - Conseal CS-231 1.25" (Double)	0 lb
1) 30" x 48" - Conseal CS-231 1.25" (Double)	0 lb
2) PSX - 8QRS DD	13 lb
2) PSX - 16M NYLO	16 lb
Structure Total:	33847 lb

Invert: 3
 Degree: 135°



Invert: 2
 Degree: 45°

Invert: 4
 Degree: 315°

Invert: 1
 Degree: 0°

Position	Elev	Angle	Pipe	Pipe OD	Hole	Connector	Up (")	Ref
Rim	382.54'							
Reducer								
Invert 1	377.12'	0°	4" DI	4.75"	8"	PSX 8QRS DD	50.24"	P2
Invert 2	375.37'	45°	3" PVC SCH40	3.5"	8"	PSX 8QRS DD	28.761"	P2
Invert 3	374.29'	135°	12" DI	13"	16"	PSX 16M NYLO	16.28"	P2
Invert 4	374.35'	315°	12" DI	13"	16"	PSX 16M NYLO	17"	P2
Invert 5								
Invert 6								
Invert 7								
Invert 8								

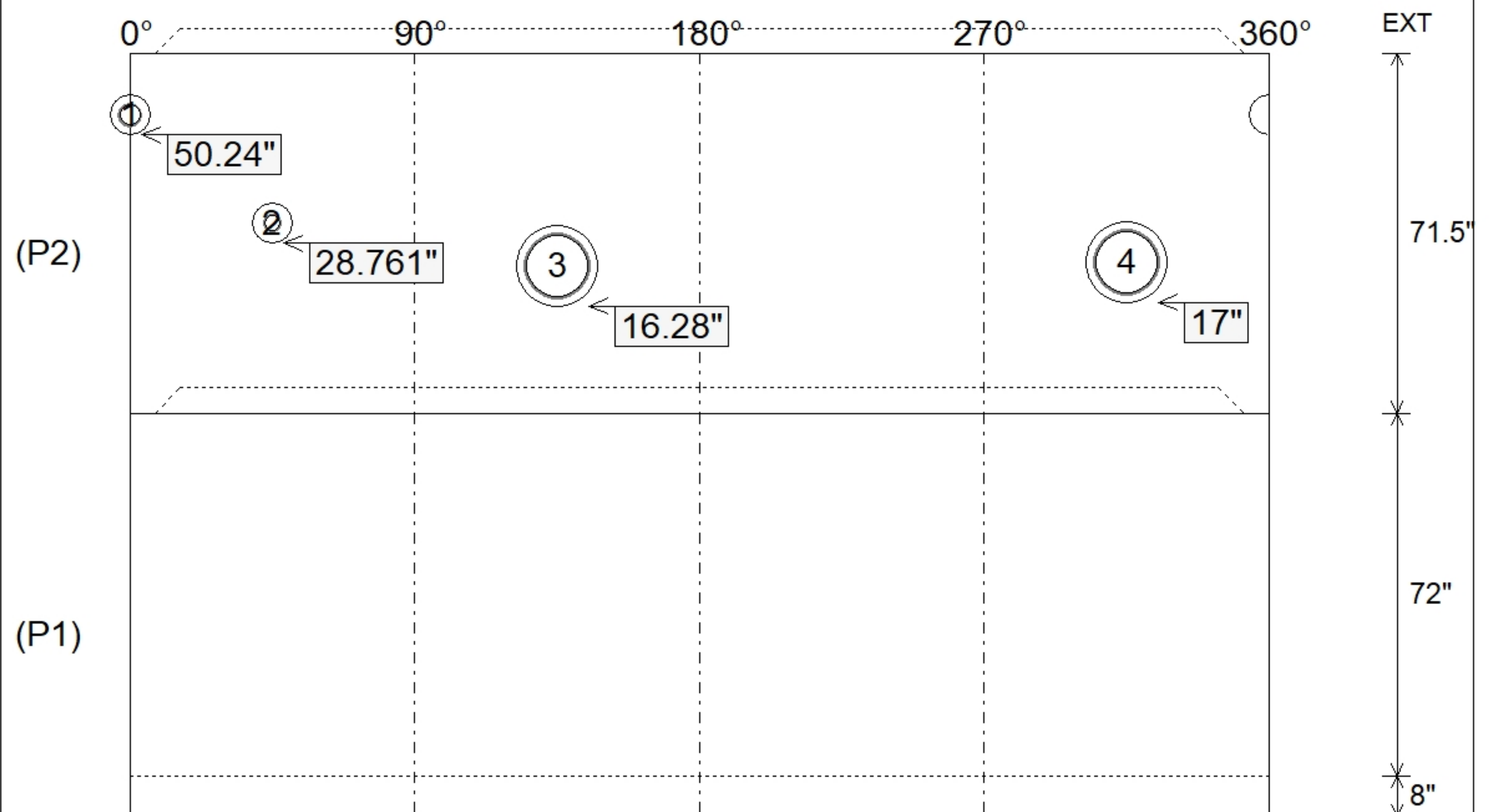
30" x 48" - CASTING HEIGHT - 0" - (P5)
 72" - MH FLAT TOP w/30"x48" Hatch w/ConBlock-CDA Red - 15" - (P4)

72" - MH RISER w/ConBlock-CDA Red - 36" - (P3)

72" - MH RISER Custom Ht, w/ConBlock-CDA Red - 71.5" - (P2)

72" - MH BASE w/ConBlock-CDA Red - 72" - (P1)

Default - Interior Dimensions



Submittal Drawing
 11/5/2025 11:35:29 AM

SUBMITTAL
 APPROVED BY: