

Job Name: 25-1784 ASTRAZENECA WASTE WATER REUSE
 Job Location: MOUNT VERNON, IN
 Contractor: Koberstein Contracting, Inc.

Plant: BEAVER DAM
 11/3/2025 3:37:54 PM

Tech: J. COPPAGE
 PC: E. BRADLEY



Structure ID: WET WELL

P2 MH072RSVFCDARED

MH RISER Custom Ht, w/ConBlock-CDA Red

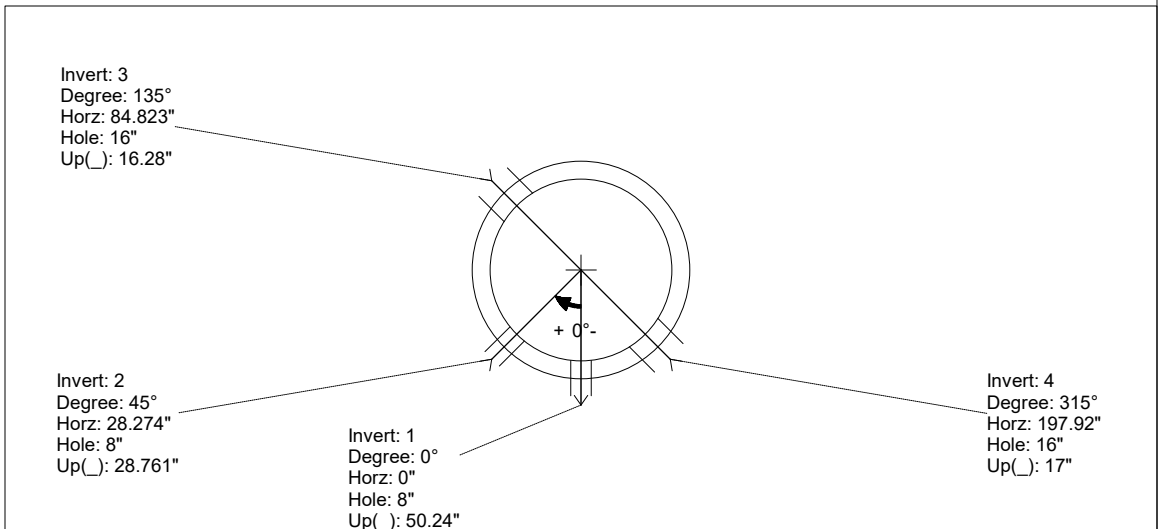
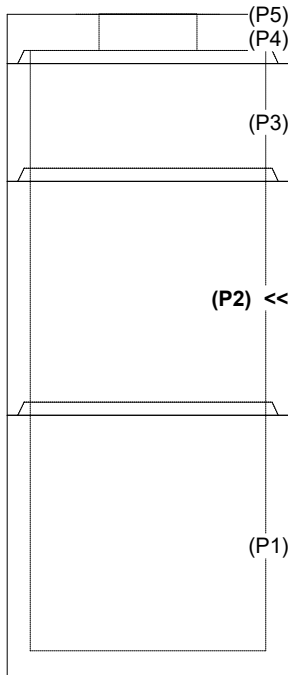
- P5) 30" x 48" - CASTING HEIGHT - 0"
- P4) 72" - MH FLAT TOP w/30"x48" Hatch w/ConBlock-CDA Red - 15"
- P3) 72" - MH RISER w/ConBlock-CDA Red - 36"
- P2) 72" - MH RISER Custom Ht, w/ConBlock-CDA Red - 71.5"
- P1) 72" - MH BASE w/ConBlock-CDA Red - 72"
- 1) This Structure Includes a Cast-in Item
- 1) JOINT WRAP - 0.065"x12"x50' CONSEAL CS212
- 1) JOINT WRAP PRIMER - CONSEAL CS-75 (1 gal.)
- 1) 72" - Conseal CS-231 1.25" (Double)
- 1) 30" x 48" - Conseal CS-231 1.25" (Double)
- 2) PSX - 8QRS DD
- 2) PSX - 16M NYLO

0 lb	Structure Notes: 1. PER ASTM C478 SPECIFICATIONS. 2. CONCRETE = 4,000 PSI AT 28 DAYS. 3. REINFORCING PER ASTM A615 (GRADE 60). - TOP SLAB (As .31) #5 BARS AT 6" C.C.E.W. - RISER/WALLS (As .12) - FLOOR (As .37) #5 BARS AT 10" C.C.E.W.
4048 lb	
5248 lb	
10126 lb	
14396 lb	
0 lb	
0 lb	
0 lb	
0 lb	
0 lb	
Structure Total:	33847 lb

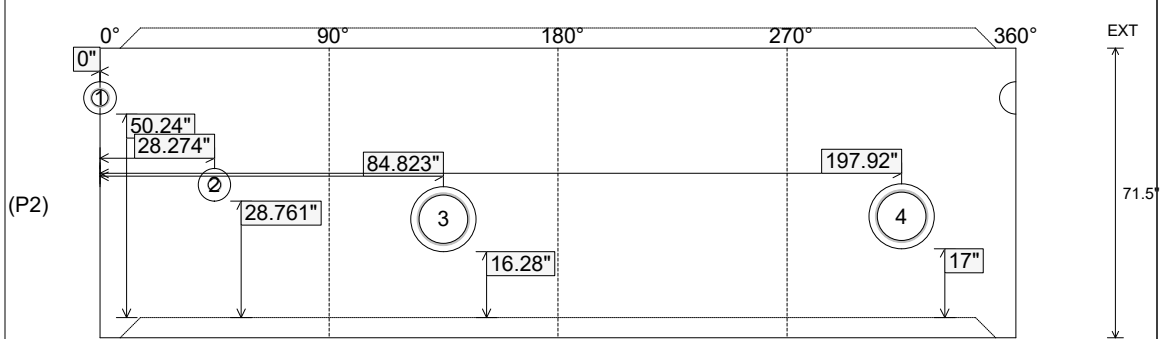
Rim: 382.54' Rim to Invert: 8.25' Slack: -0.22' Sump: 95.28" Step Position:

Position	Elev	Angle	Ext. (cw)	Pipe	Pipe OD	Connector	Hole	Horz Size	Up (L)	Offset
Invert 1	377.12'	0°	0"	4" DI	4.75"	PSX 8QRS DD	8"	8.017"	50.24"	0"
Invert 2	375.37'	45°	33.772"	3" PVC SCH40	3.5"	PSX 8QRS DD	8"	8.017"	28.761"	0"
Invert 3	374.29'	135°	101.316"	12" DI	13"	PSX 16M NYLO	16"	16.135"	16.28"	0"
Invert 4	374.35'	315°	236.405"	12" DI	13"	PSX 16M NYLO	16"	16.135"	17"	0"
Invert 5										
Invert 6										
Invert 7										
Invert 8										

RIGHT-SIDE UP VIEW (int. dimensions)



INSIDE WALL DIMENSIONS



Coating (Int):
 Coating (Ext):

Seam Up: Tongue
 Seam Dn: Groove

Wall Thickness: 7"
 Floor Height: 0"

Height (Int): 71.5"
 Height (Ext): 71.5"

Weight (Net): 10126 lb
 Volume (Net): 2.59cu.yd