

Job Name: 25-1784 ASTRAZENECA WASTE WATER REUSE
 Job Location: MOUNT VERNON, IN
 Contractor: Koberstein Contracting, Inc.

Plant: BEAVER DAM

Tech: J. COPPAGE

1/23/2026 11:26:30 AM

PC: E. BRADLEY



Structure ID: VALVE VAULT PIT

P1 MH048BA48CDARED

MH BASE w/ConBlock-CDA Red

- P4) 24" - CASTING HEIGHT - 7"
- P3) 48" - MH FLAT TOP w/24" Hole ECC w/ConBlock-CDA Red - 12"
- P2) 48" - MH RISER w/ConBlock-CDA Red - 42"
- P1) 48" - MH BASE w/ConBlock-CDA Red - 48"
- 1) JOINT WRAP PRIMER - CONSEAL CS-75 (1 gal.)
- 1) JOINT WRAP - 0.065"x6"x50' CONSEAL CS212
- 2) 48" - Conseal CS-102 1.00" (Double)
- 2) PSX - 8QRS-S NYLO
- 6) MH Step ML-10-TDS-NCR - 10"

- Structure Notes:**
1. JR HOE MC-315 SANITARY PROVIDED BY ICAST.
 2. PER ASTM C478 SPECIFICATIONS.
 3. CONCRETE = 4,000 PSI AT 28 DAYS.
 4. REINFORCING PER ASTM A615 (GRADE 60).
 - TOP SLAB (As .62) #5 BARS AT 6" C.C.E.W.
 - RISER/WALLS (As .18)
 - FLOOR (As .31) #5 BARS AT 12" C.C.E.W.

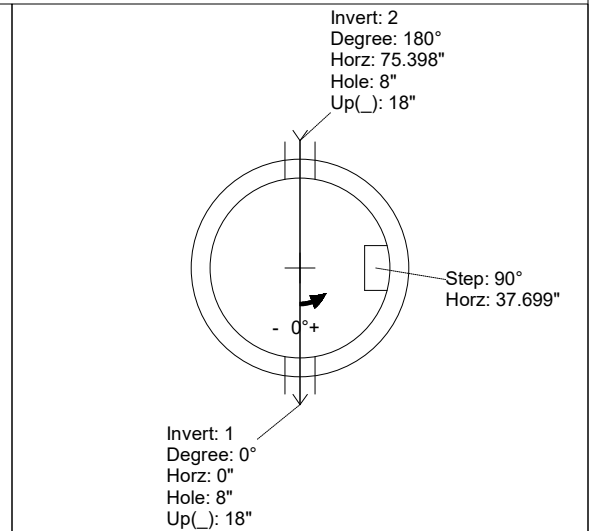
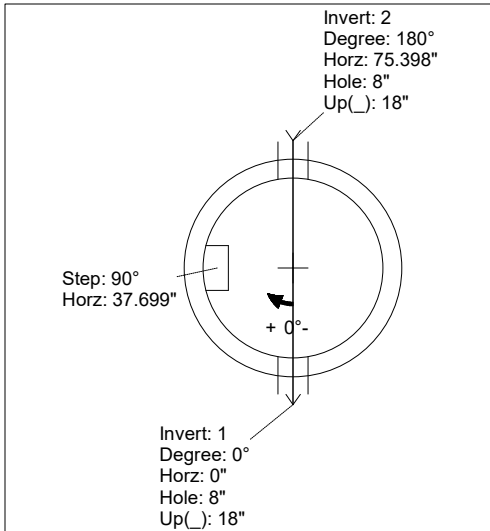
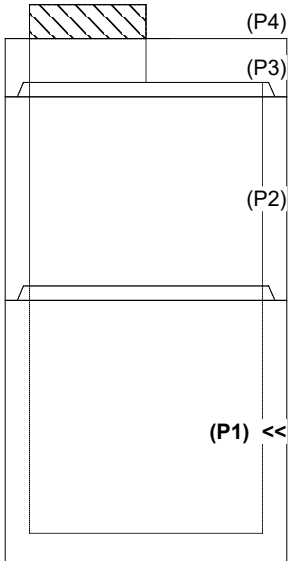
Structure Total: 9168 lb

Rim: 380.5' Rim to Invert: 7.5' Slack: 1" Sump: 20" Step Position: 90°

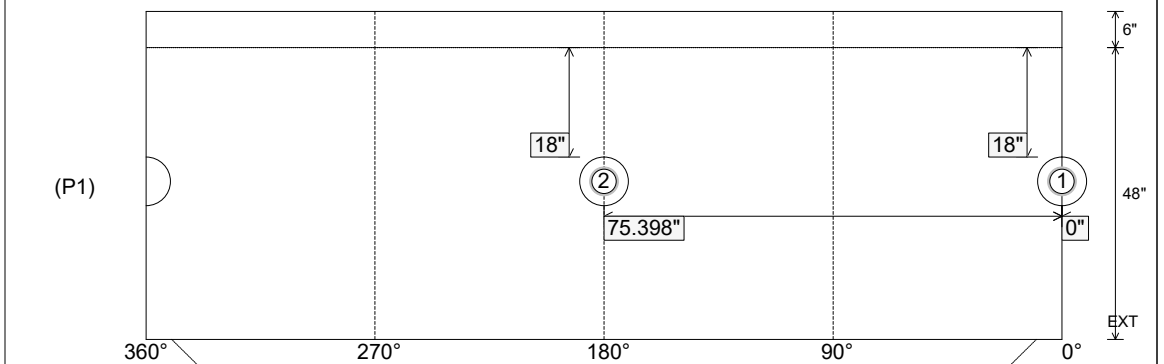
Position	Elev	Angle	Ext. (cw)	Pipe	Pipe OD	Connector	Hole	Horz Size	Up ()	Offset
Invert 1	373'	0°	0"	4" DI	4.75"	PSX 8QRS-S NYLO	8"	8.038"	18"	0"
Invert 2	373'	180°	91.106"	4" DI	4.75"	PSX 8QRS-S NYLO	8"	8.038"	18"	0"
Invert 3										
Invert 4										
Invert 5										
Invert 6										
Invert 7										
Invert 8										

RIGHT-SIDE UP VIEW (int. dimensions)

UPSIDE-DOWN VIEW (int. dimensions)



INSIDE WALL DIMENSIONS



Coating (Int):
 Coating (Ext):

Seam Up: Tongue
 Seam Dn: n/a

Wall Thickness: 5"
 Floor Height: 6"

Height (Int): 48"
 Height (Ext): 54"

Weight (Net): 4641 lb
 Volume (Net): 1.18cu.yd