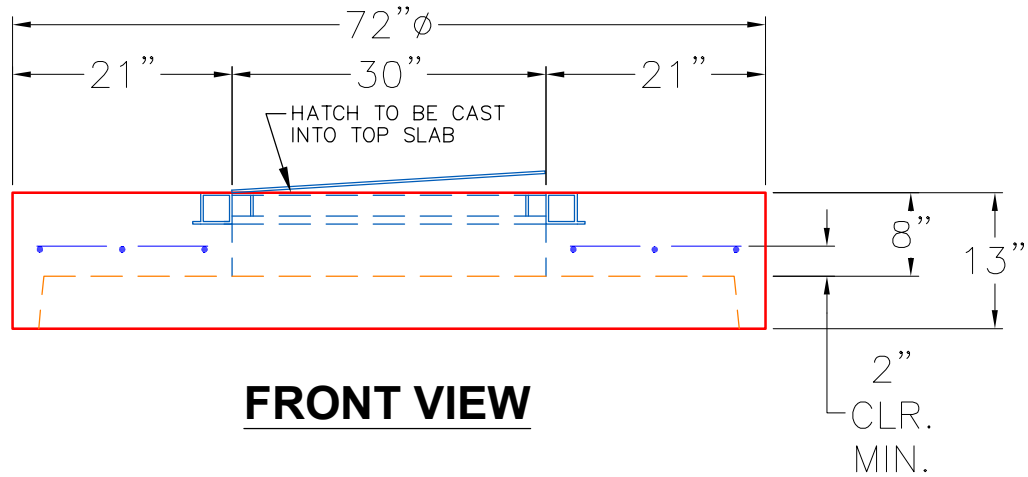



HALLIDAY H1R 30" X 30"  
HATCH PROVIDED BY ICAST **TOP VIEW**



**FRONT VIEW**

**NOTES:**

1. MANUFACTURED TO ASTM C-478 (LATEST REVISION).
2. CONCRETE: 5,000 PSI AT 28 DAYS.
3. REINFORCING: PER ASTM A615 (GRADE 60)  
#4 BAR @ 9" C/C E.W.
4. CONBLOCK CDA RED ADMIXTURE REQUIRED.
5. 30" X 30" HALLIDAY H1R HATCH BY ICAST.
6. HATCH TO BE CAST INTO TOP SLAB.

PRODUCTION WORK ORDER		PRODUCT I.D.: MH060LD13SCDARED	DESCRIPTION: $\phi$ 60" MH TOP SLAB 13" THICK W/ 30" X 30" HATCH & CONBLOCK CDA RED		
	QUALITY CONTROL CHECKLIST	PRODUCT VIEW: RIGHT SIDE UP	CUSTOMER: KOBERSTEIN CONTRACTING, INC.		
	<input type="checkbox"/> ALL DIMENSIONS CORRECT.	PLANT: BEAVER DAM, KY.	PROJECT: ASTRAZENECA WASTE WATER REUSE		
	<input type="checkbox"/> LIFTERS INSTALLED.	WEIGHT: 2,455 LBS.	STRUCTURE: VALVE VAULT		
	<input type="checkbox"/> HATCH LOCATION CORRECT.	TOP SECTION JOINT: N/A	ORDER NO: 25-1784		
	<input type="checkbox"/> REINFORCING CORRECT.	BASE SECTION JOINT: BELL	PC: E. BRADLEY	DRAWING: J. COPPAGE	
	<input type="checkbox"/> ALL PATCHWORK ACCEPTABLE.	QC CHECK INITIALS:	DATE: 11/4/25	SCALE: NTS	PG. 1 of 1
<input type="checkbox"/> LIGHT BRUSHED FINISH ON TOP.					
<input type="checkbox"/> JOINT INSTALLED.					