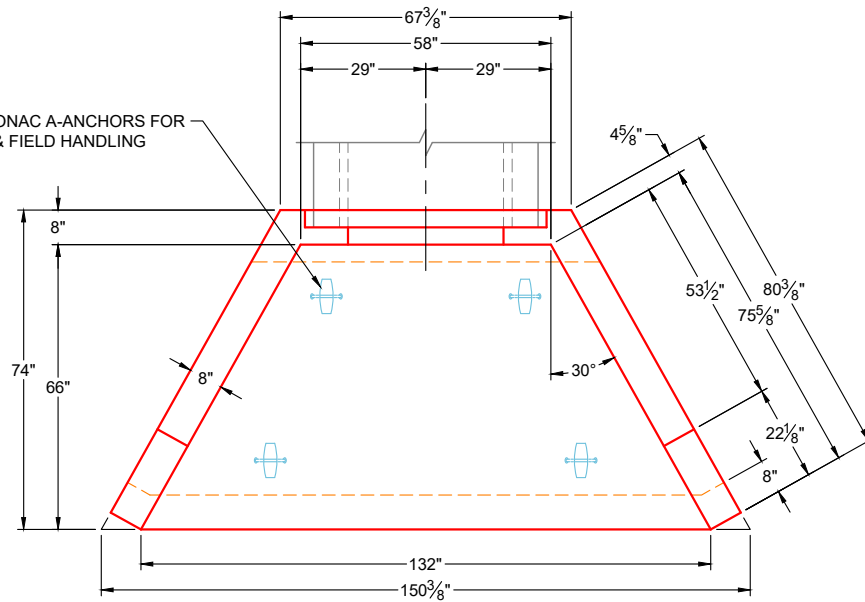
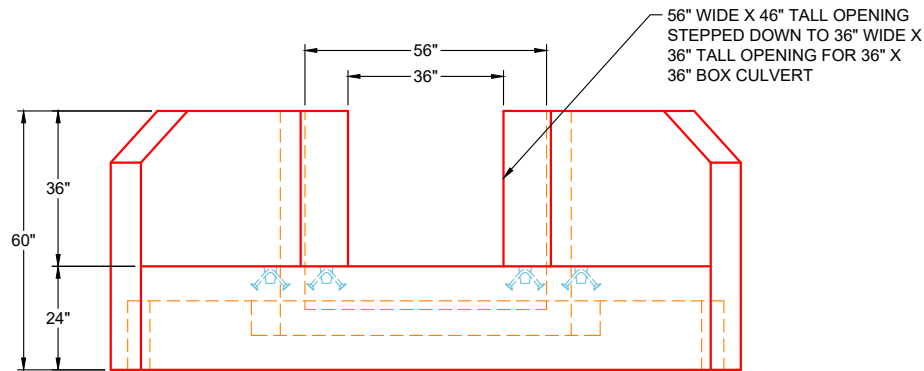


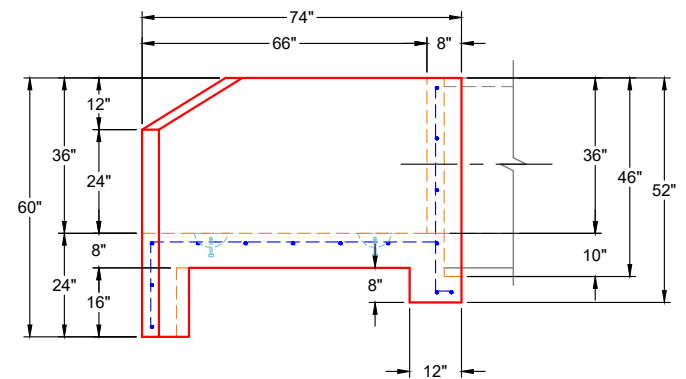
4 EA. CONAC A-ANCHORS FOR PLANT & FIELD HANDLING



**PLAN VIEW**



**FRONT VIEW**



**SIDE VIEW**

**GENERAL NOTES:**

1. PER KYTC STANDARDS & REQUIREMENTS
2. REINFORCEMENT: #5 BAR @ 12" C.C. E.W. (GRADE 60)
3. CONCRETE: 5,000 PSI AT 28 DAYS
4. WEIGHT: 10,105 LBS
5. PIPE & LIFTING ANCHOR POCKETS TO BE GROUTED WITH KYTC APPROVED NON-SHRINK GROUT
6. DRAWING TO BE USED IN CONJUNCTION WITH KYTC STANDARD DRAWINGS RDH-110-02, RDH-210-03, & STANDARD SPECIFICATIONS FOR ROAD & BRIDGE CONSTRUCTION
7. 3/4" CHAMFER REQUIRED ON ALL EXPOSED EDGES

**REVISION INFORMATION**

REV. DATE: NO REVISIONS TO DATE



SUBMITTAL DRAWING: 36" X 36" BOX CULVERT CUSTOM HW

CUSTOMER: MAC CONSTRUCTION & EXCAVATING, INC.

PROJECT: 860 PZ LANDIS RIDGE 3 MG TANK

STRUCTURE: HW3

QUOTE/SALES ORDER NO: 25-1718

CHECKED BY: B. SMITH

DRAWN BY: K. CARDWELL

DATE: 01/19/26

SCALE: NTS

PG. 1 OF 1