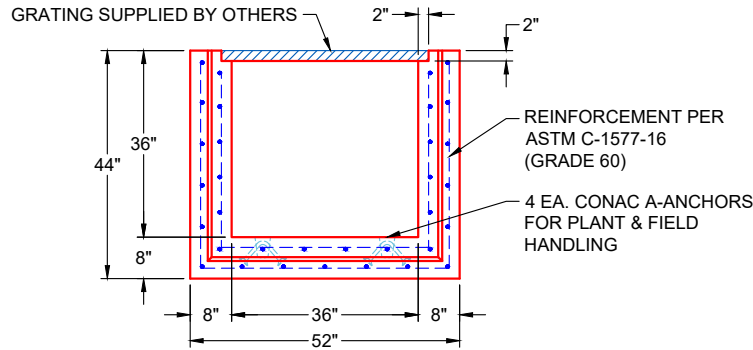
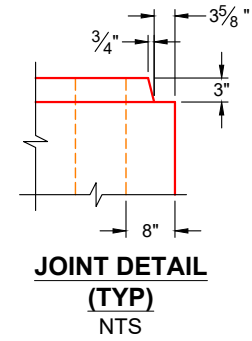


**GENERAL NOTES:**

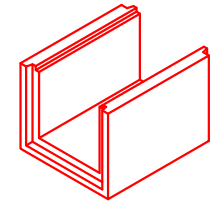
1. MANUFACTURED TO ASTM C-1577-16
2. LOAD REQUIREMENTS: PER AASHTO HL-93
3. REINFORCEMENT PER ASTM C-1577-16 (GRADE 60)
4. COVER DEPTH: 0'-0"
5. CONCRETE: 5,000 PSI AT 28 DAYS
6. JOINT SEALANT: 1" BUTYL MASTIC (CS-102)  
EXTERIOR JOINT WRAP: 12" WIDE (CS-212)
7. WEIGHT: 3' X 3' RCBC = 999 LBS / LF  
(60" LONG SECTION = 4,994 LBS EA.)
8. GRATING SUPPLIED BY OTHERS



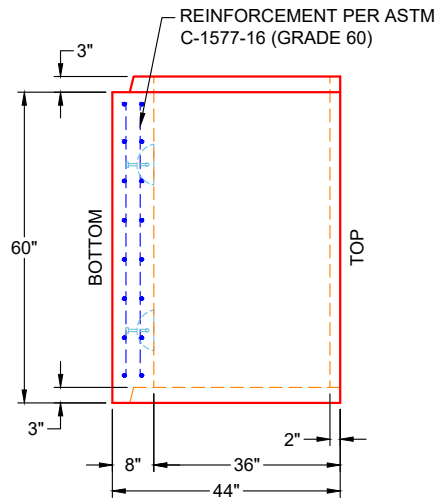
**END VIEW**  
TYPICAL



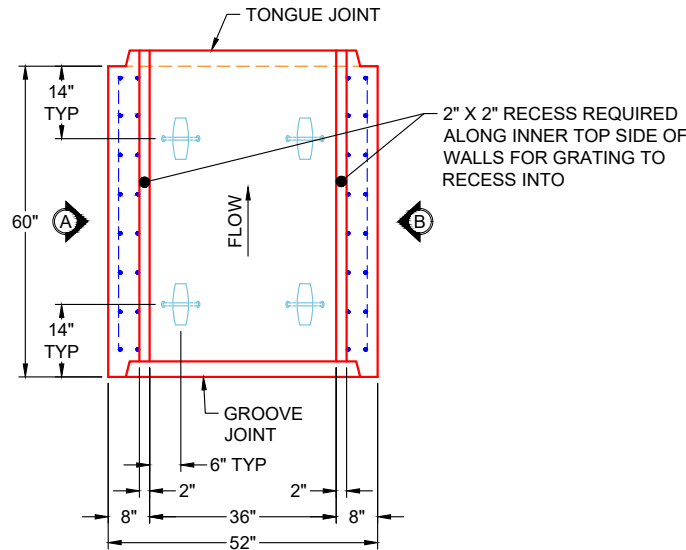
**JOINT DETAIL**  
(TYP)  
NTS



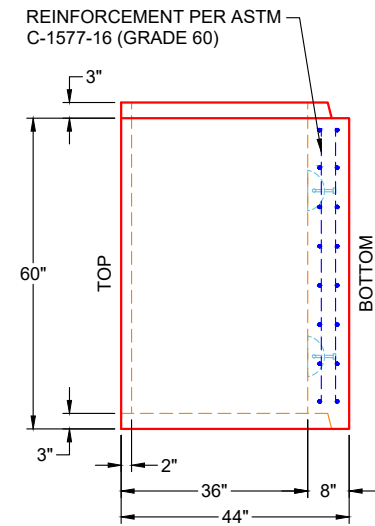
**COMPONENT**  
**ISOMETRIC VIEW**  
NTS



**VIEW A**  
PC 3  
(UPRIGHT IN MOLD)



**PLAN VIEW**  
PC 3  
(UPRIGHT IN MOLD)



**VIEW B**  
PC 3  
(UPRIGHT IN MOLD)

REVISION INFORMATION

REV.  $\Delta$  DATE: NO REVISIONS TO DATE



SUBMITTAL DRAWING:  
36" X 36" X 60" BOX CULVERT (8" WALLS & NO HAUNCH)

CUSTOMER: MAC CONSTRUCTION & EXCAVATING, INC.

PROJECT: 860 PZ LANDIS RIDGE 3 MG TANK

STRUCTURE: 3 X 3 BC PIECE 3

QUOTE/SALES ORDER NO: 25-1718

CHECKED BY: B. SMITH

DRAWN BY: K. CARDWELL

DATE: 01/19/26

SCALE: NTS

PG. 1 OF 1