

GENERAL NOTES:

1. MANUFACTURED TO ASTM C-913 (LATEST REVISION).
2. CONCRETE: 5,000 PSI AT 28 DAYS.
3. REINFORCING: SEE REINFORCEMENT DESIGN PROVIDED BY MATT CHILDS ENGINEERING PER ASTM A615 (GRADE 60).
4. WEIGHTS:
 FIRST POUR – 15,714 LBS
 SECOND POUR – 30,077 LBS
 TOTAL – 45,791 LBS
5. L1D AL LADDER W/ SAFETY POST PROVIDED BY ICAST.
6. PRE-ASSEMBLY BY ICAST.
7. LINK SEALS PROVIDED BY OTHERS.

FIRST POUR DRAWING

PRODUCTION WORK ORDER



QUALITY CONTROL CHECKLIST

- ALL DIMENSIONS CORRECT.
- LIFTERS INSTALLED.
- OPENINGS CORRECT LOCATION.
- REINFORCING CORRECT.
- SURFACE QUALITY ACCEPTABLE.
- EDGES CHAMFERED.
- ALL PATCHWORK ACCEPTABLE.

PRODUCT I.D.: CVBVF

PRODUCT VIEW: RIGHT SIDE UP

PLANT: BEAVER DAM, KY.

WEIGHT: 45,791 LBS.

TOP SECTION JOINT: N/A

BASE SECTION JOINT: N/A

QC CHECK INITIALS:

DESCRIPTION: 120" X 180" X 98" TALL VAULT BASE

CUSTOMER: CLEARY CONSTRUCTION, INC.

PROJECT: WCWD FLOW FOR OUR FUTURE METER VAULTS

STRUCTURE: WATER MAIN MASTER METER VAULT

ORDER NO: 25-1706

PC: C. GOFF

DRAWING: J. COPPAGE

DATE: 10/2/25

SCALE: NTS

PG. 1 of 1

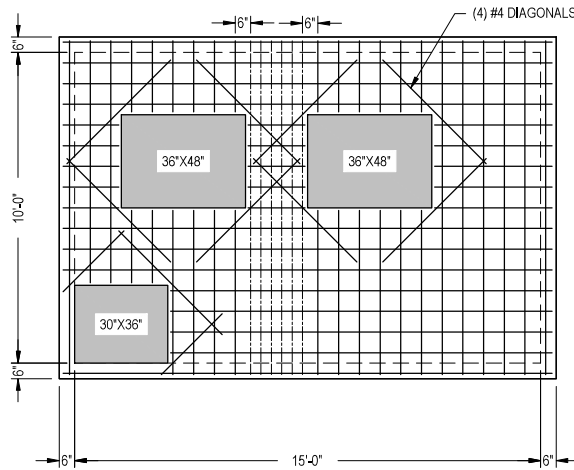
DESIGN NOTE:

HS20 LOADING (OFF-STREET) - ASTM C857
 CONCRETE 28 DAY COMPRESSIVE STRENGTH - 5000 PSI
 REINFORCEMENT STEEL - 60,000 PSI
 REBAR MIN SPLICE LENGTHS: #4-22" #5-28" #6-33"
 PLACE 4-#4 BAR DIAGONAL AROUND OPENING(S)

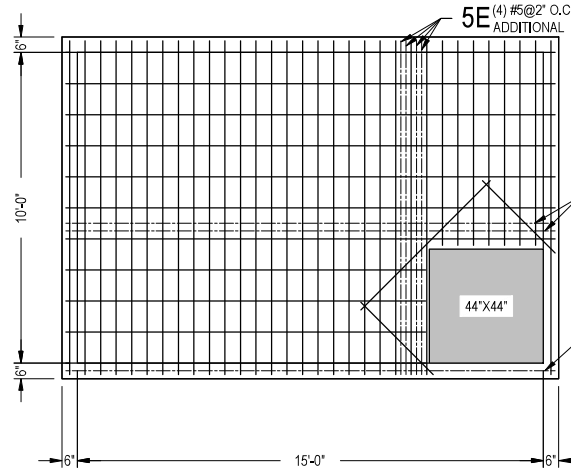
25-1706 WATER MAIN MASTER METER VAULT

REINFORCING STEEL SCHEDULE

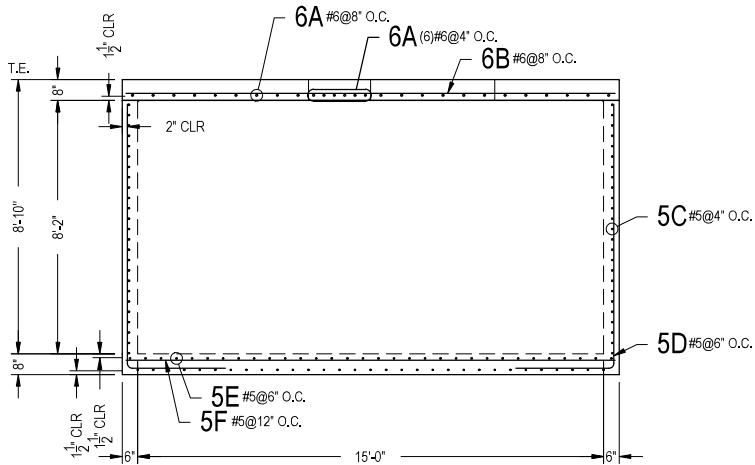
MARK	NO.	LENGTH	TYPE	lb/EA.	TOTAL LB	BENDING DIAGRAM
6A	27	10'-9"	STR.	16.1465	435.9555	
6B	17	15'-9"	STR.	23.6565	402.1605	
5C	25	28'-7" (2)	BENT	29.8124	1490.6200	
5D	104	11'-7"	BENT	12.0814	1258.4656	
5E	36	10'-10"	STR.	11.2992	406.7712	
5F	14	15'-10"	STR.	16.5142	231.1988	



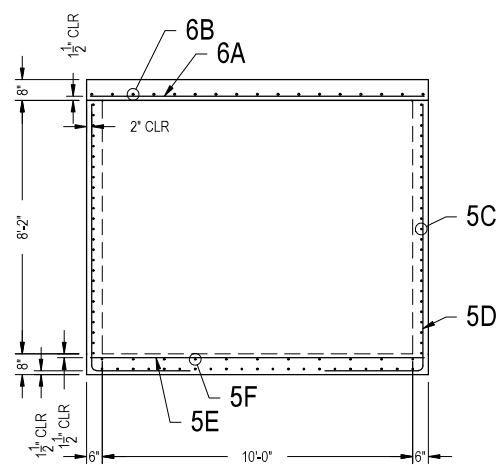
PLAN VIEW
(TOP SLAB)



PLAN VIEW
(BASE SECTION - TOP MAT)



FRONT VIEW



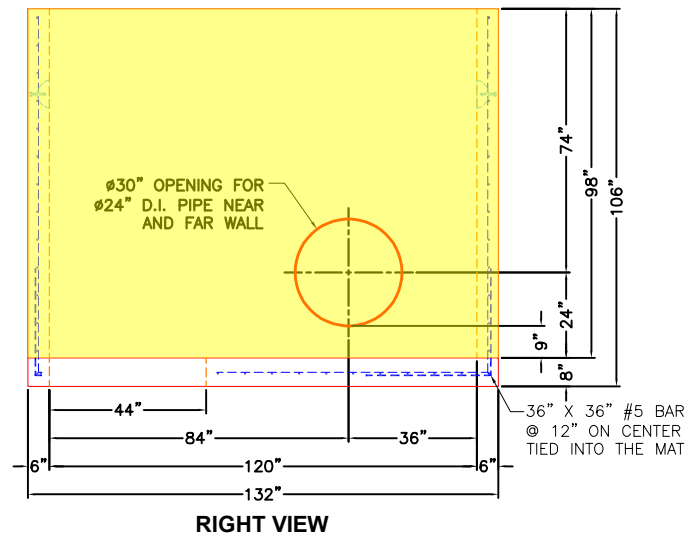
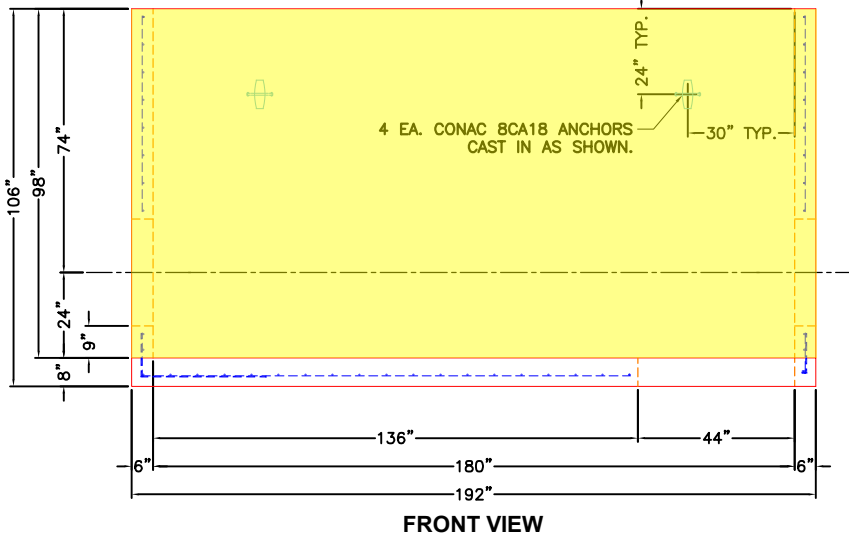
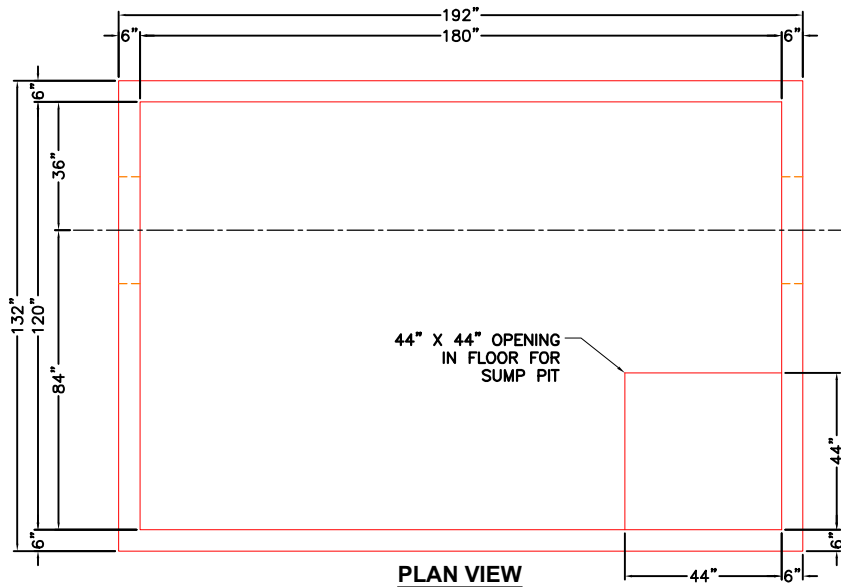
RIGHT VIEW

**WATER MAIN MASTER
METER VAULT**



MATT CHILDS ENGINEERING, P.C.
 515 E. INTERSTATE 30, #1017
 ROCKWALL, TX 75087

METER VAULTS 10'-0" x 15'-0"		REVISIONS	DATE: 6/20/2025
CLEARLY CONSTRUCTION WCWD FLOW FOR FOUR FUTURE		DRAWN BY: MBJ	SCALE: 1/4" = 1'
A			
B			
C			
D			



GENERAL NOTES:

1. MANUFACTURED TO ASTM C-913 (LATEST REVISION).
2. CONCRETE: 5,000 PSI AT 28 DAYS.
3. REINFORCING: SEE REINFORCEMENT DESIGN PROVIDED BY MATT CHILDS ENGINEERING PER ASTM A615 (GRADE 60).
4. WEIGHTS:
FIRST POUR – 15,714 LBS
SECOND POUR – 30,077 LBS
TOTAL – 45,791 LBS
5. L1D AL LADDER W/ SAFETY POST PROVIDED BY ICAST.
6. PRE-ASSEMBLY BY ICAST.
7. LINK SEALS PROVIDED BY OTHERS.

SECOND POUR DRAWING

PRODUCTION WORK ORDER



QUALITY CONTROL CHECKLIST

- ALL DIMENSIONS CORRECT.
- LIFTERS INSTALLED.
- OPENINGS CORRECT LOCATION.
- REINFORCING CORRECT.
- SURFACE QUALITY ACCEPTABLE.
- EDGES CHAMFERED.
- ALL PATCHWORK ACCEPTABLE.

PRODUCT I.D.: CVBVF

PRODUCT VIEW: RIGHT SIDE UP

PLANT: BEAVER DAM, KY.

WEIGHT: 45,791 LBS.

TOP SECTION JOINT: N/A

BASE SECTION JOINT: N/A

QC CHECK INITIALS:

DESCRIPTION: 120" X 180" X 98" TALL VAULT BASE

CUSTOMER: CLEARY CONSTRUCTION, INC.

PROJECT: WCWD FLOW FOR OUR FUTURE METER VAULTS

STRUCTURE: WATER MAIN MASTER METER VAULT

ORDER NO: 25-1706

PC: C. GOFF

DRAWING: J. COPPAGE

DATE: 10/2/25

SCALE: NTS

PG. 1 of 1

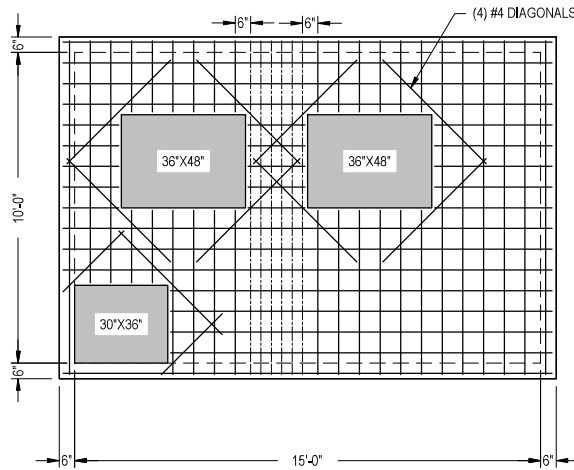
DESIGN NOTE:

HS20 LOADING (OFF-STREET) - ASTM C857
 CONCRETE 28 DAY COMPRESSIVE STRENGTH - 5000 PSI
 REINFORCEMENT STEEL - 60,000 PSI
 REBAR MIN SPLICE LENGTHS: #4-22" #5-28" #6-33"
 PLACE 4-#4 BAR DIAGONAL AROUND OPENING(S)

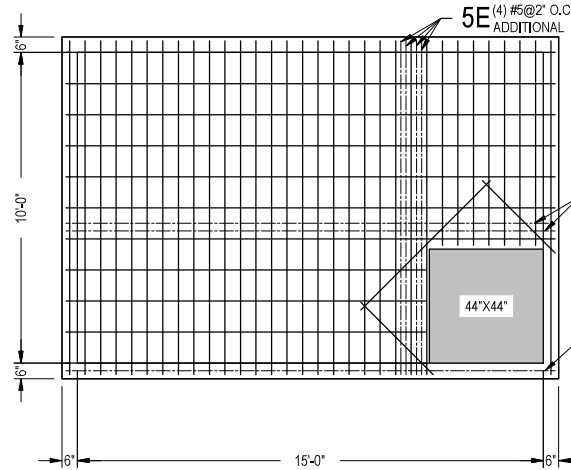
25-1706 WATER MAIN MASTER METER VAULT

REINFORCING STEEL SCHEDULE

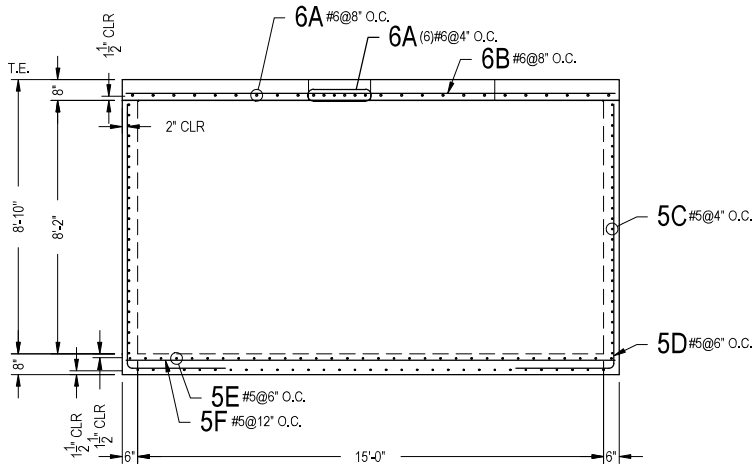
MARK	NO.	LENGTH	TYPE	lb/EA.	TOTAL LB	BENDING DIAGRAM
6A	27	10'-9"	STR.	16.1465	435.9555	
6B	17	15'-9"	STR.	23.6565	402.1605	
5C	25	28'-7" (2)	BENT	29.8124	1490.6200	
5D	104	11'-7"	BENT	12.0814	1258.4656	
5E	36	10'-10"	STR.	11.2992	406.7712	
5F	14	15'-10"	STR.	16.5142	231.1988	



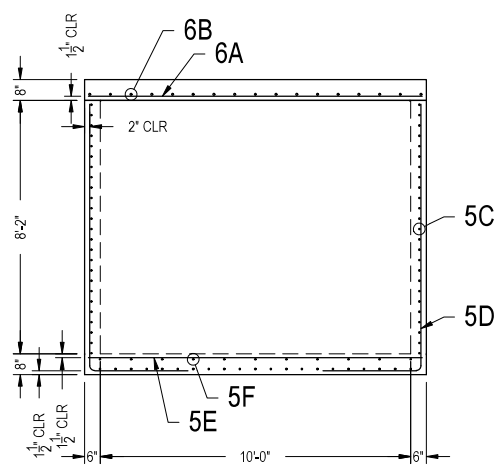
PLAN VIEW
(TOP SLAB)



PLAN VIEW
(BASE SECTION - TOP MAT)



FRONT VIEW



RIGHT VIEW

**WATER MAIN MASTER
METER VAULT**



MATT CHILDS ENGINEERING, P.C.
 515 E. INTERSTATE 30, #1017
 ROCKWALL, TX 75087

METER VAULTS
 10'-0" x 15'-0"
 CLEAR CONSTRUCTION
 W/WD FLOW FOR FUTURE
 DATE: 6/20/2025
 DRAWN BY: MBJ
 SCALE: 1/4" = 1'
 REVISIONS
 A
 B
 C
 D
 PAGE: 1 OF 1