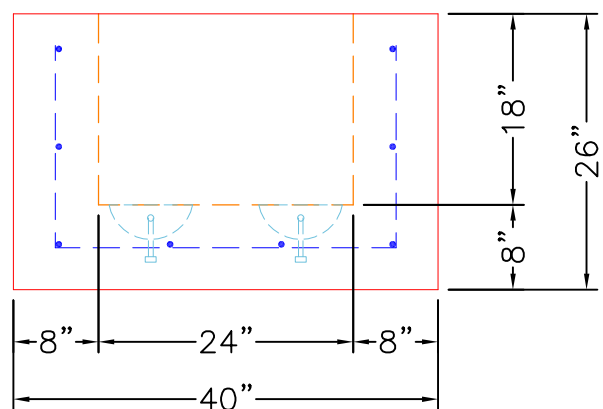


TOP VIEW

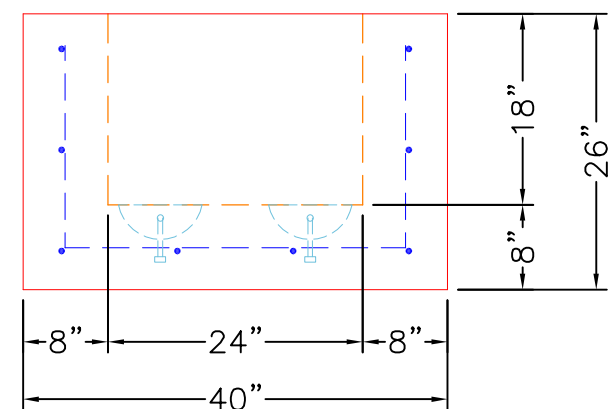
2 EA. CONAC 5CA14 ANCHORS
CAST IN FOR PLANT & FIELD
HANDLING.

GENERAL NOTES:


1. MANUFACTURED TO ASTM C-913 (LATEST REVISION).
2. CONCRETE: 5,000 PSI AT 28 DAYS.
3. REINFORCING: #5 BAR @ 12" C-C E.W. PER ASTM A615 (GRADE 60).
4. WEIGHT: 2,621 LBS



FRONT VIEW



RIGHT VIEW

| | | | | |
|---|--|------------------------------|--|---------------------|
| PRODUCTION WORK ORDER | | PRODUCT I.D.: BX2424-08BAVFX | DESCRIPTION: 24" X 24" X 18" TALL SUMP PIT | |
|  | QUALITY CONTROL CHECKLIST | PRODUCT VIEW: RIGHT SIDE UP | CUSTOMER: CLEARY CONSTRUCTION, INC. | |
| | <input type="checkbox"/> ALL DIMENSIONS CORRECT. | PLANT: BEAVER DAM, KY. | PROJECT: FLOW FOR OUR FUTURE METER VAULTS | |
| | <input type="checkbox"/> LIFTERS INSTALLED. | WEIGHT: 2,621 LBS. | STRUCTURE: FORCE MAIN METER VAULT | |
| | <input type="checkbox"/> OPENING CENTERED. | TOP SECTION JOINT: N/A | ORDER NO: 25-1706 | |
| | <input type="checkbox"/> REINFORCING CORRECT. | BASE SECTION JOINT: N/A | PE: C. GOFF | DRAWING: J. COPPAGE |
| <input type="checkbox"/> SURFACE QUALITY ACCEPTABLE. | QC CHECK INITIALS: | DATE: 10/2/25 | SCALE: NTS | PG. 1 of 1 |
| <input type="checkbox"/> EDGES CHAMFERED. | | | | |
| <input type="checkbox"/> ALL PATCHWORK ACCEPTABLE. | | | | |