

**Job Name: 25-1684P8 KYTC Jefferson Co. Call 200 (251007)**  
**Job Location: I-264 Louisville, KY**  
**Contractor: Cleary Construction, Inc.**

PC: J. Jarvis  
 TECH: N. Richards  
 Plant: Beaver Dam, Ky.



Structure ID: **5109+77 MBI B1**  
 Spec: KYTC  
 Type: MBI TYPE 9  
 Size: 24" x 36"

Rim: 581.62'  
 Invert: 575.12'  
 Rim to Invert: 6.5'

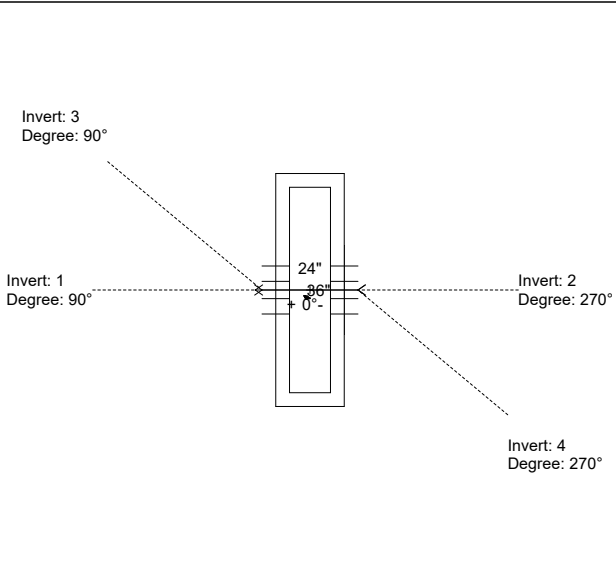
Sump: 0"  
 Floor (Top): 575.12'  
 Floor Height: 8"

Floor (Bot): 574.453'  
 Overall Height: 6.833'  
 Slack: 4"

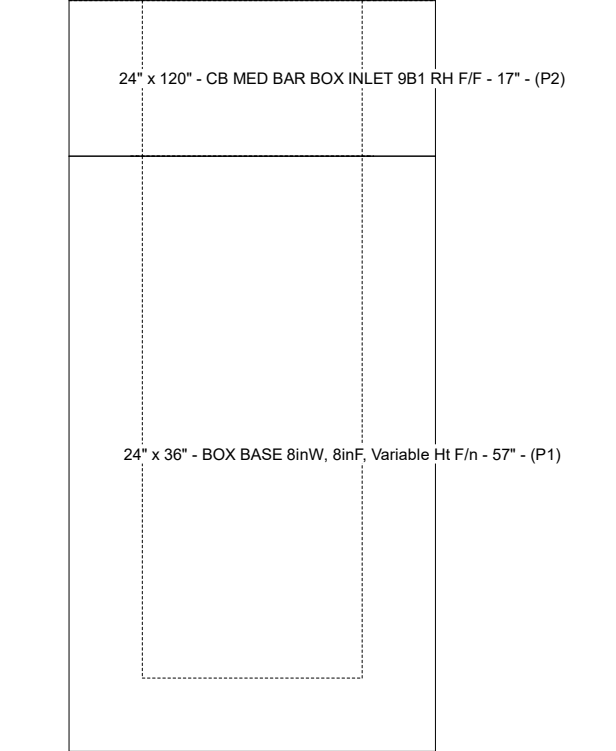
**Structure Notes:**  
 -KYTC STATE PROJECT 251007  
 -REINFORCING: #5 BAR @ 12" C/C E.W. (TYP.)  
 -CASTING FRAMES & GRATES BY OTHERS.  
 -CS-102 BUTYL REQUIRED (SUPPLIED BY ICAST).  
 -KYTC CERTIFICATIONS REQUIRED.

**STRUCTURE SUMMARY:**

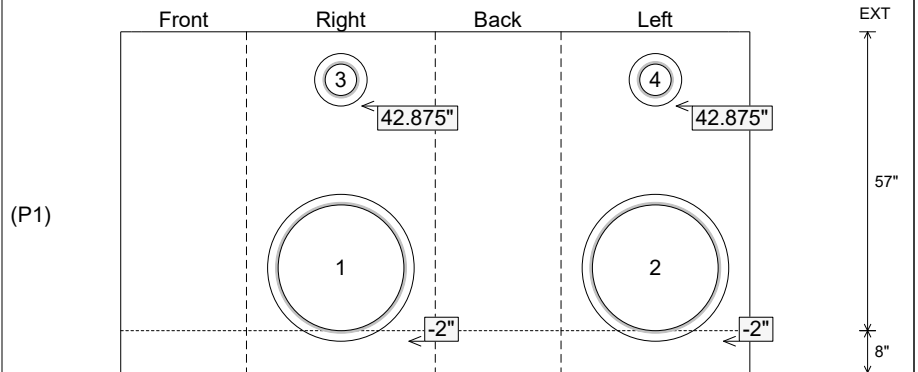
P2) 24" x 120" - CB MED BAR BOX INLET 9B1 RH F/F - 17" 4000 lb  
 P1) 24" x 36" - BOX BASE 8inW, 8inF, Variable Ht F/n - 57" 6280 lb  
 1) 24" x 36" - Conseal CS-102 1.00" 0 lb  
 1) 24" x 120" - Conseal CS-102 1.00" 0 lb  
 2) Hole - 28 0 lb  
 2) Hole - 10 0 lb  
 Structure Total: 10280 lb



Position	Elev	Angle	Pipe	Pipe OD	Hole	Connector	Up (")	Ref
Rim	581.62'							
Reducer								
Invert 1	575.12'	90°	24" CMP	25"	28"	Hole 28	-2"	P1
Invert 2	575.12'	270°	24" CMP	25"	28"	Hole 28	-2"	P1
Invert 3	578.86'	90°	6" HDPE	6.9"	10"	Hole 10	42.875"	P1
Invert 4	578.86'	270°	6" HDPE	6.9"	10"	Hole 10	42.875"	P1
Invert 5								
Invert 6								
Invert 7								
Invert 8								



**Cast (Int. Dim.) - Interior Dimensions**



Submittal Drawing  
 4/14/2026 2:36:02 PM

SUBMITTAL  
 APPROVED BY: