

Job Name: 25-1684P8 KYTC Jefferson Co. Call 200 (251007)
Job Location: I-264 Louisville, KY
Contractor: Cleary Construction, Inc.

PC: J. Jarvis
 TECH: N. Richards
 Plant: Beaver Dam, Ky.



Structure ID: **5106+09 MBI B1**
 Spec: KYTC
 Type: MBI TYPE 9
 Size: 24" x 36"

Rim: 586.89'
 Invert: 579.19'
 Rim to Invert: 7.7'

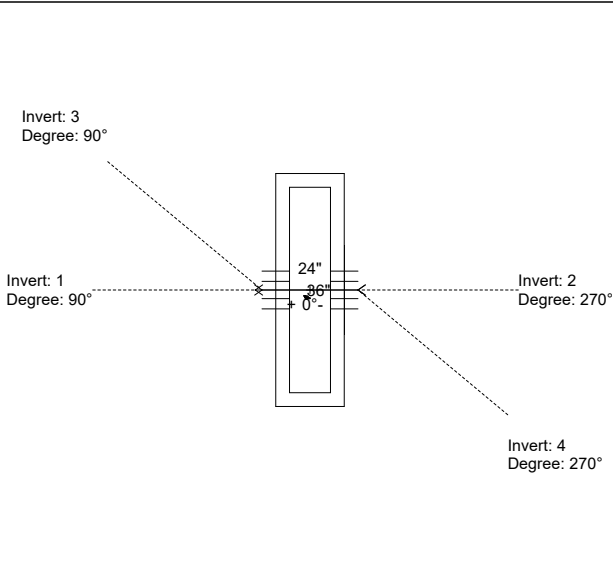
Sump: 0"
 Floor (Top): 579.19'
 Floor Height: 8"

Floor (Bot): 578.523'
 Overall Height: 8.333'
 Slack: 0.4"

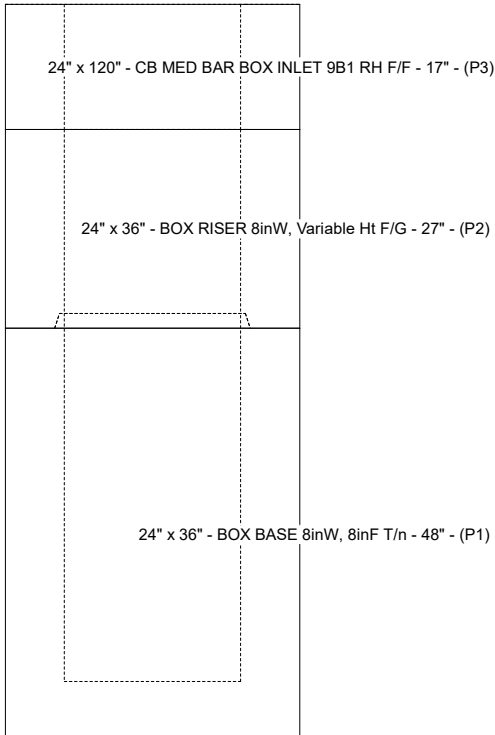
Structure Notes:
 -KYTC STATE PROJECT 251007
 -REINFORCING: #5 BAR @ 12" C/C E.W. (TYP.)
 -CASTING FRAMES & GRATES BY OTHERS.
 -CS-102 BUTYL REQUIRED (SUPPLIED BY ICAST).
 -KYTC CERTIFICATIONS REQUIRED.

STRUCTURE SUMMARY:

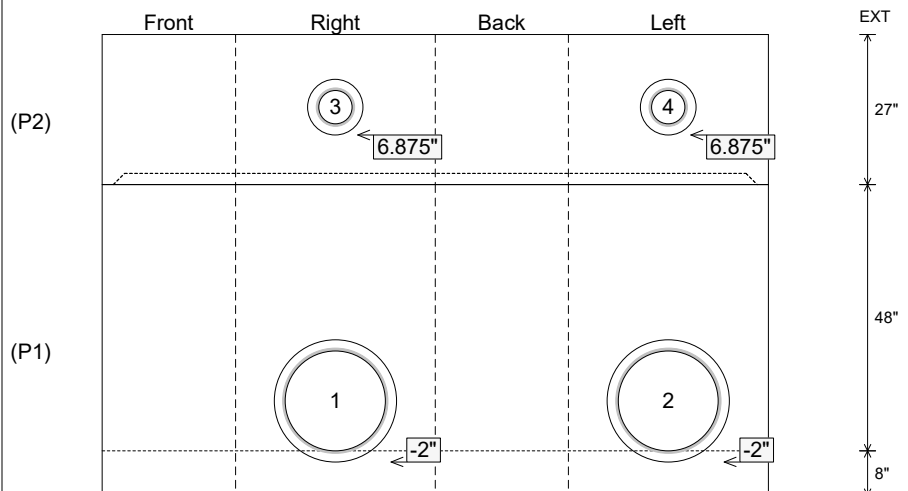
P3) 24" x 120" - CB MED BAR BOX INLET 9B1 RH F/F - 17"	4000 lb
P2) 24" x 36" - BOX RISER 8inW, Variable Ht F/G - 27"	2650 lb
P1) 24" x 36" - BOX BASE 8inW, 8inF T/n - 48"	5784 lb
2) 24" x 36" - Conseal CS-102 1.00"	0 lb
1) 24" x 120" - Conseal CS-102 1.00"	0 lb
2) Hole - 22	0 lb
2) Hole - 10	0 lb
Structure Total:	12433 lb



Position	Elev	Angle	Pipe	Pipe OD	Hole	Connector	Up (L)	Ref
Rim	586.89'							
Reducer								
Invert 1	579.19'	90°	18" CMP	19"	22"	Hole 22	-2"	P1
Invert 2	579.19'	270°	18" CMP	19"	22"	Hole 22	-2"	P1
Invert 3	584.1'	90°	6" HDPE	6.9"	10"	Hole 10	6.875"	P2
Invert 4	584.1'	270°	6" HDPE	6.9"	10"	Hole 10	6.875"	P2
Invert 5								
Invert 6								
Invert 7								
Invert 8								



Cast (Int. Dim.) - Interior Dimensions



Submittal Drawing
 4/14/2026 2:36:02 PM

SUBMITTAL
 APPROVED BY: