

**Job Name: 25-1684P8 KYTC Jefferson Co. Call 200 (251007)**  
**Job Location: I-264 Louisville, KY**  
**Contractor: Cleary Construction, Inc.**

PC: J. Jarvis  
 TECH: N. Richards  
 Plant: Beaver Dam, Ky.



Structure ID: 5102+50 MBI A2

Spec: KYTC  
 Type: MBI TYPE 9  
 Size: 24" x 36"

Rim: 588.46'  
 Invert: 582.06'  
 Rim to Invert: 6.4'

Sump: 0"  
 Floor (Top): 582.06'  
 Floor Height: 8"

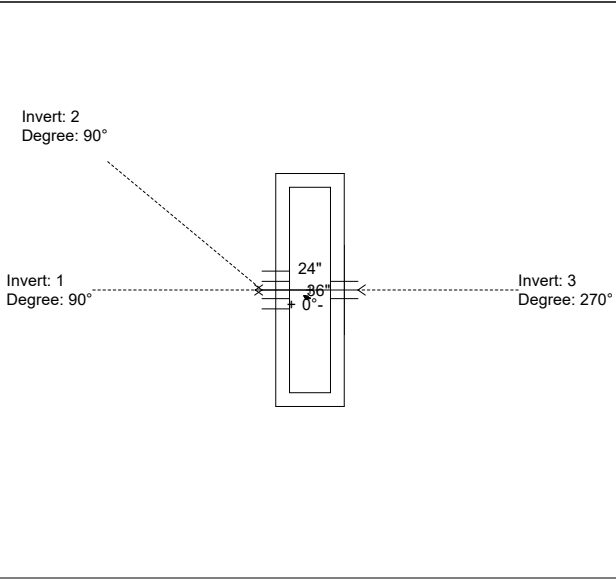
Floor (Bot): 581.393'  
 Overall Height: 6.75'  
 Slack: 3.8"

**Structure Notes:**

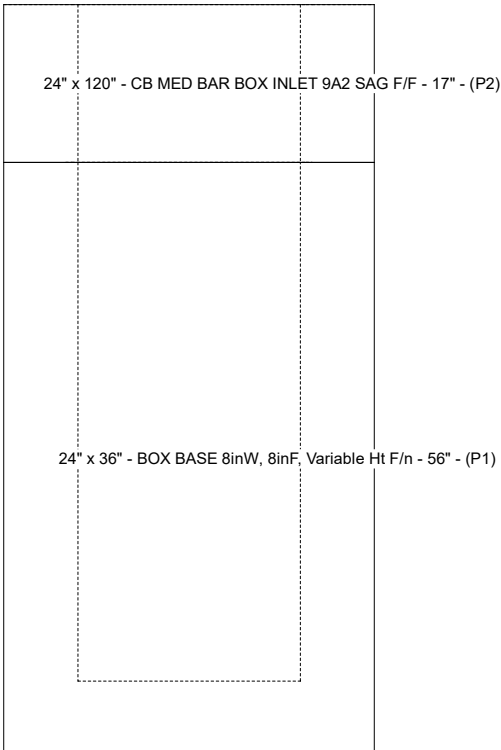
- KYTC STATE PROJECT 251007
- REINFORCING: #5 BAR @ 12" C/C E.W. (TYP.)
- CASTING FRAMES & GRATES BY OTHERS.
- CS-102 BUTYL REQUIRED (SUPPLIED BY ICAST).
- KYTC CERTIFICATIONS REQUIRED.

**STRUCTURE SUMMARY:**

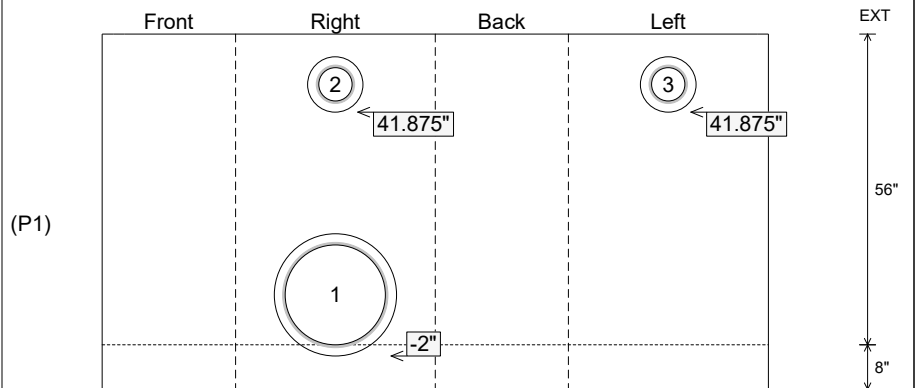
P2) 24" x 120" - CB MED BAR BOX INLET 9A2 SAG F/F - 17"	4000 lb
P1) 24" x 36" - BOX BASE 8inW, 8inF, Variable Ht F/n - 56"	6750 lb
1) 24" x 36" - Conseal CS-102 1.00"	0 lb
1) 24" x 120" - Conseal CS-102 1.00"	0 lb
1) Hole - 22	0 lb
2) Hole - 10	0 lb
<b>Structure Total:</b>	<b>10750 lb</b>



Position	Elev	Angle	Pipe	Pipe OD	Hole	Connector	Up (")	Ref
Rim	588.46'							
Reducer								
Invert 1	582.06'	90°	18" CMP	19"	22"	Hole 22	-2"	P1
Invert 2	585.72'	90°	6" HDPE	6.9"	10"	Hole 10	41.875"	P1
Invert 3	585.72'	270°	6" HDPE	6.9"	10"	Hole 10	41.875"	P1
Invert 4								
Invert 5								
Invert 6								
Invert 7								
Invert 8								



**Cast (Int. Dim.) - Interior Dimensions**



Submittal Drawing  
 4/14/2026 2:36:03 PM

SUBMITTAL  
 APPROVED BY: