

**Job Name: 25-1684P7 KYTC Jefferson Co. Call 200 (251007)**  
**Job Location: I-264 Louisville, Ky.**  
**Contractor: Cleary Construction, Inc.**

PC: J. Jarvis  
 TECH: J. Coppage  
 Plant: Beaver Dam, Ky.



**Structure ID: 312+92 RT DBI-15 INLET 68**

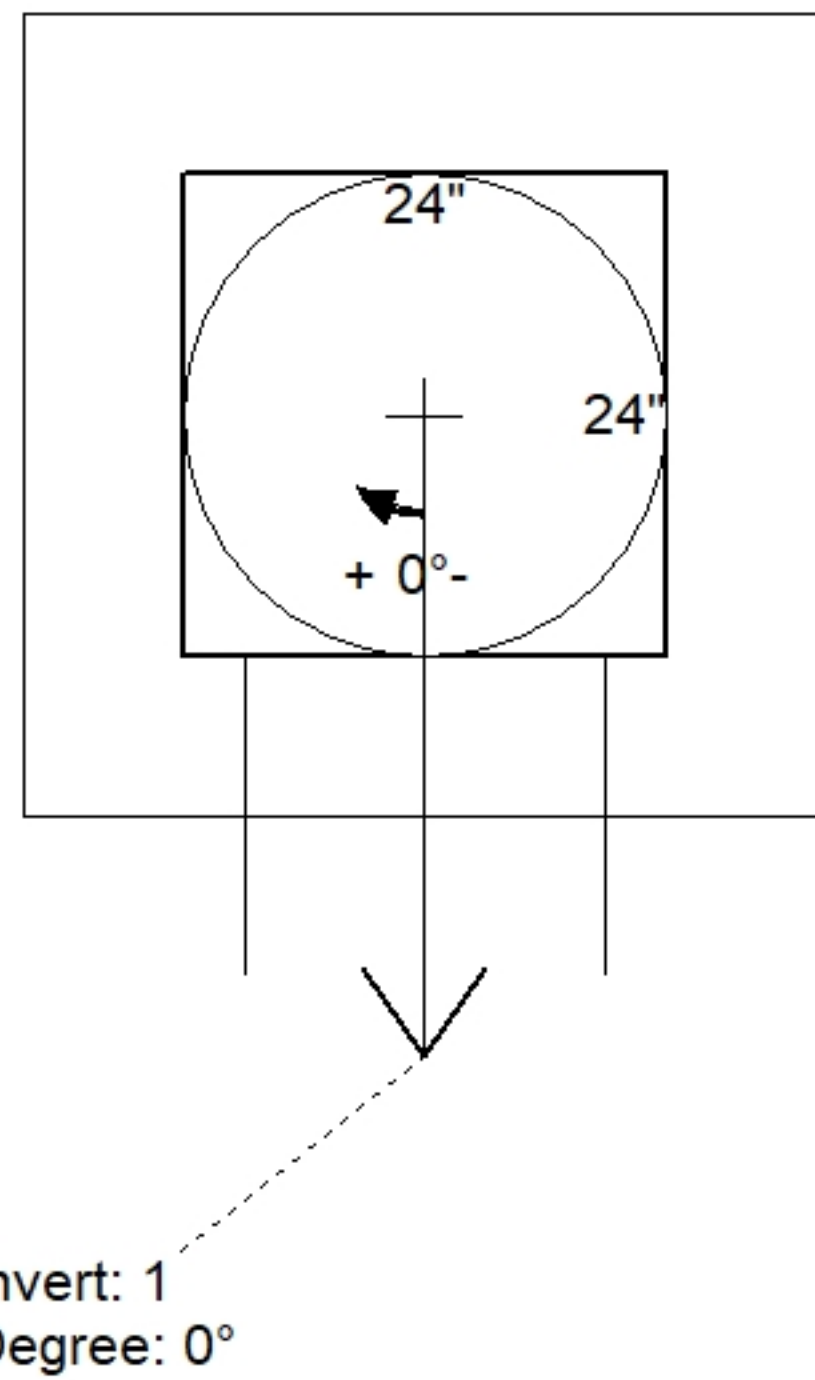
Spec: KYTC Rim: 594.6' Sump: 0" Floor (Bot): 591.433'  
 Type: DBI TYPE 15 Invert: 592.1' Floor (Top): 592.1' Overall Height: 3.167'  
 Size: 24" x 24" Rim to Invert: 2.5' Floor Height: 8" Slack: 0"

**Structure Notes:**

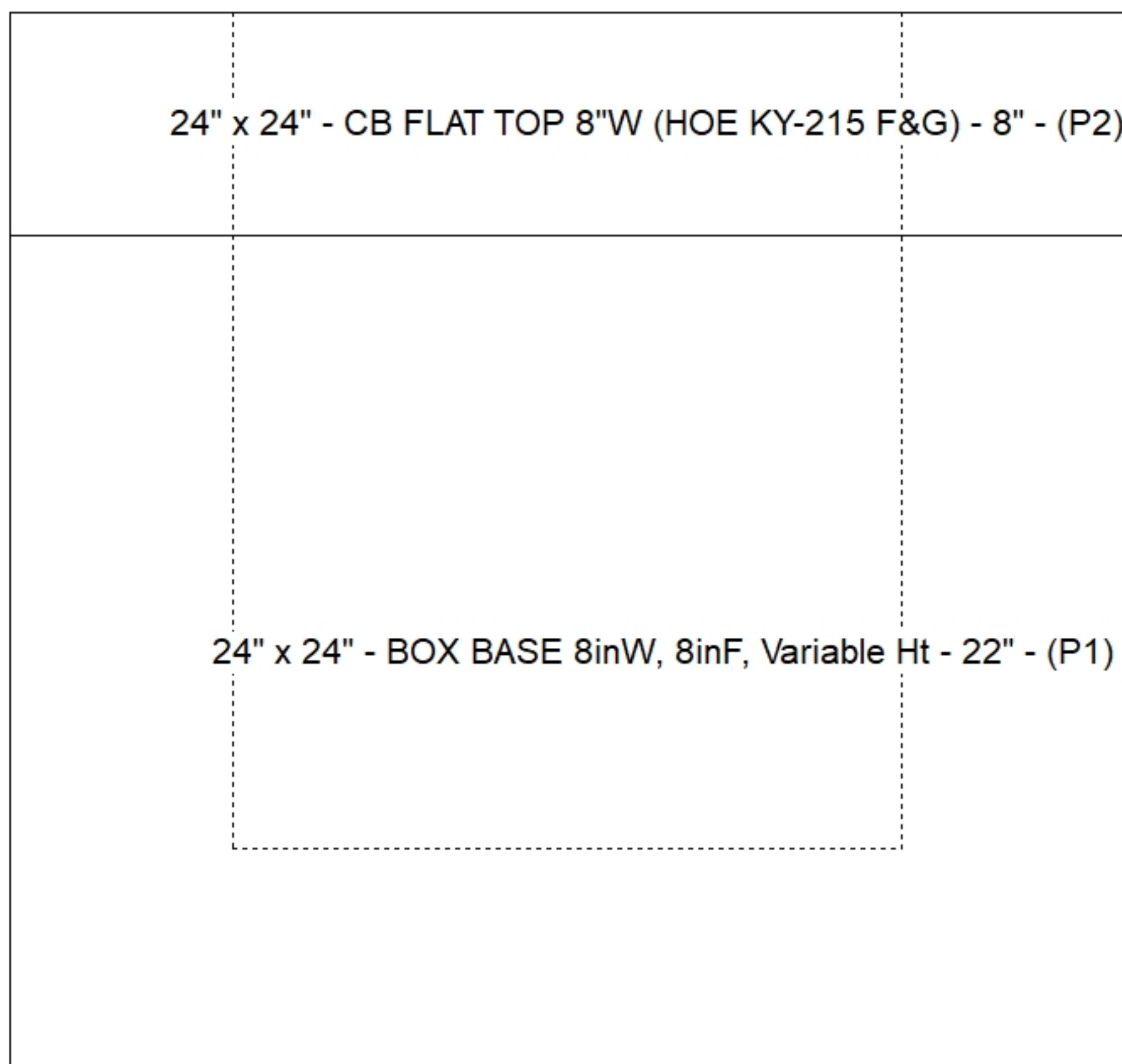
- KYTC STATE PROJECT 251007
- REINFORCING: #5 BAR @ 12" C/C E.W. (TYP.)
- CASTING BY OTHERS.
- CS-102 BUTYL REQUIRED (SUPPLIED BY ICAST).
- KYTC CERTIFICATIONS REQUIRED.

**STRUCTURE SUMMARY:**

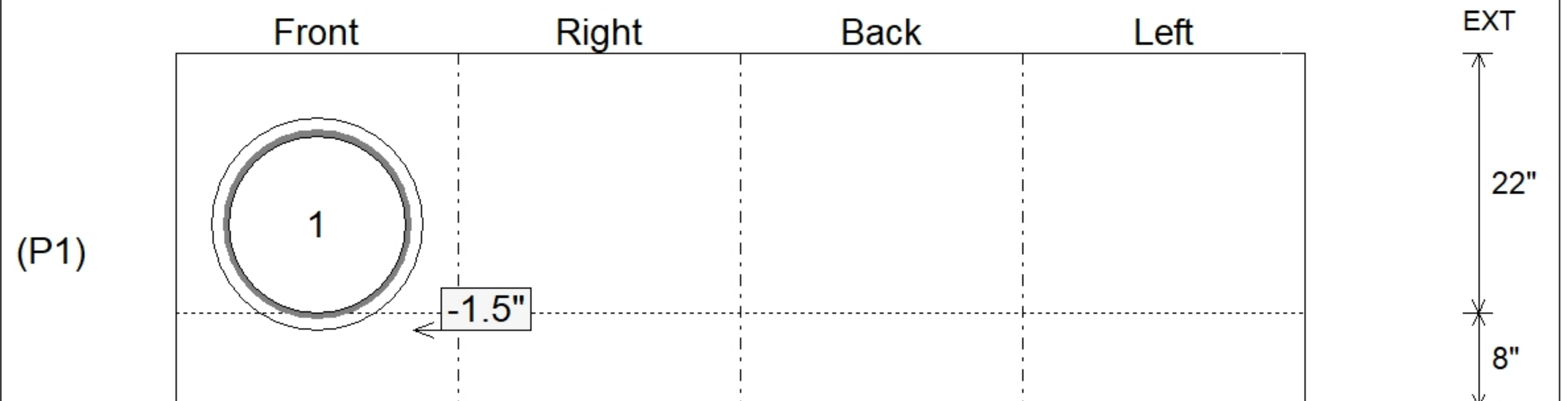
P2) 24" x 24" - CB FLAT TOP 8"W (HOE KY-215 F&G) - 8"	770 lb
P1) 24" x 24" - BOX BASE 8inW, 8inF, Variable Ht - 22"	2794 lb
1) 24" x 24" - Conseal CS-102 1.00"	0 lb
1) Hole - 18	0 lb
<b>Structure Total:</b>	<b>3564 lb</b>



Position	Elev	Angle	Pipe	Pipe OD	Hole	Connector	Up (L)	Ref
Rim	594.6'							
Reducer								
Invert 1	592.1'	0°	15" CMP	16"	18"	Hole 18	-1.5"	P1
Invert 2								
Invert 3								
Invert 4								
Invert 5								
Invert 6								
Invert 7								
Invert 8								



**Default - Interior Dimensions**



Submittal Drawing  
 3/24/2026 10:50:04 AM

SUBMITTAL  
 APPROVED BY: