

**Job Name: 25-1684P7 KYTC Jefferson Co. Call 200 (251007)**  
**Job Location: I-264 Louisville, Ky.**  
**Contractor: Cleary Construction, Inc.**

PC: J. Jarvis  
 TECH: J. Coppage  
 Plant: Beaver Dam, Ky.



Structure ID: 312+07 RT DBI-13G INLET 67

Spec: KYTC  
 Type: DBI TYPE 13G  
 Size: 24" x 30"

Rim: 594.12'  
 Invert: 590.95'  
 Rim to Invert: 3.17'

Sump: 0"  
 Floor (Top): 590.95'  
 Floor Height: 8"

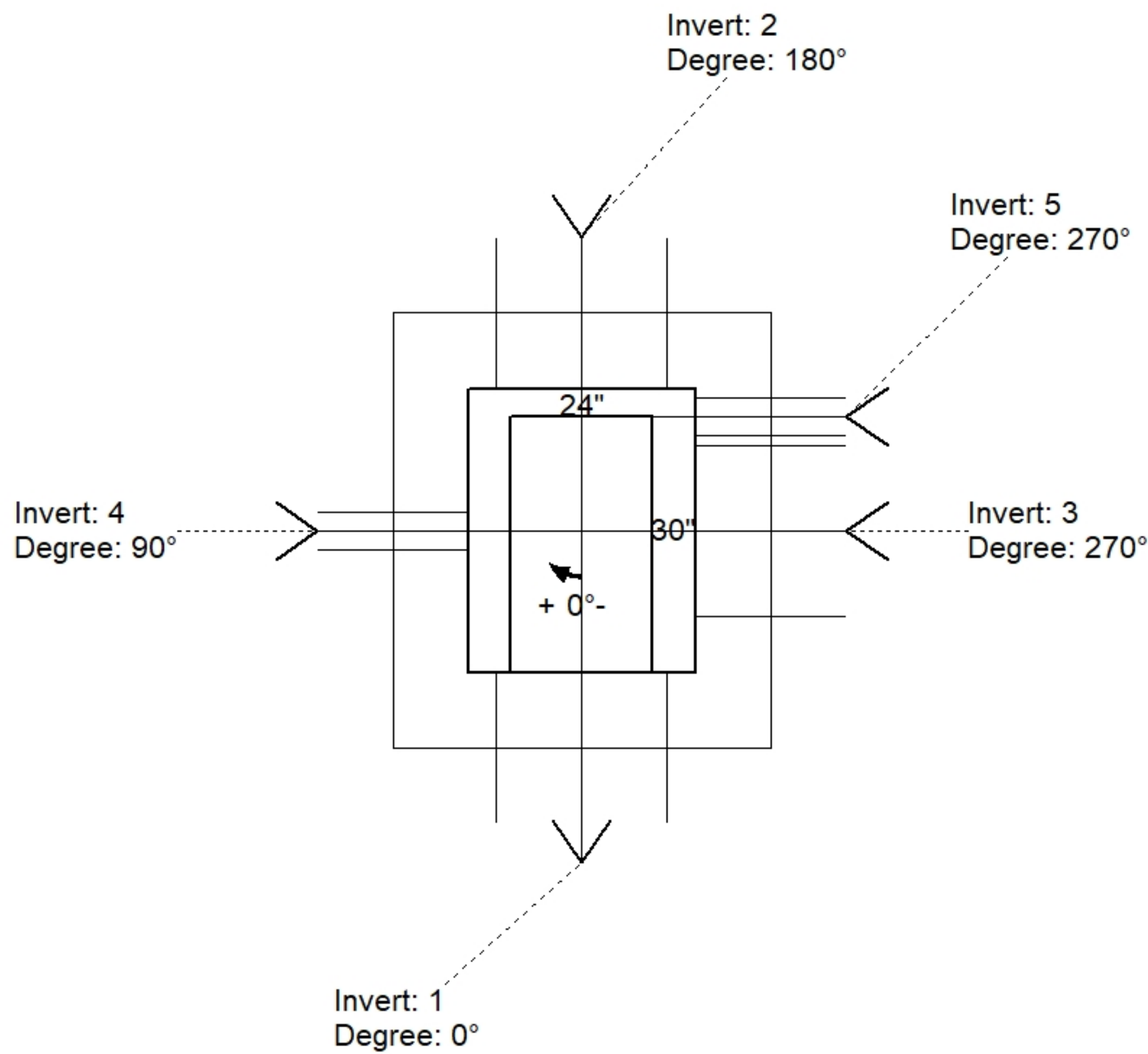
Floor (Bot): 590.283'  
 Overall Height: 3.833'  
 Slack: 0.04"

**Structure Notes:**

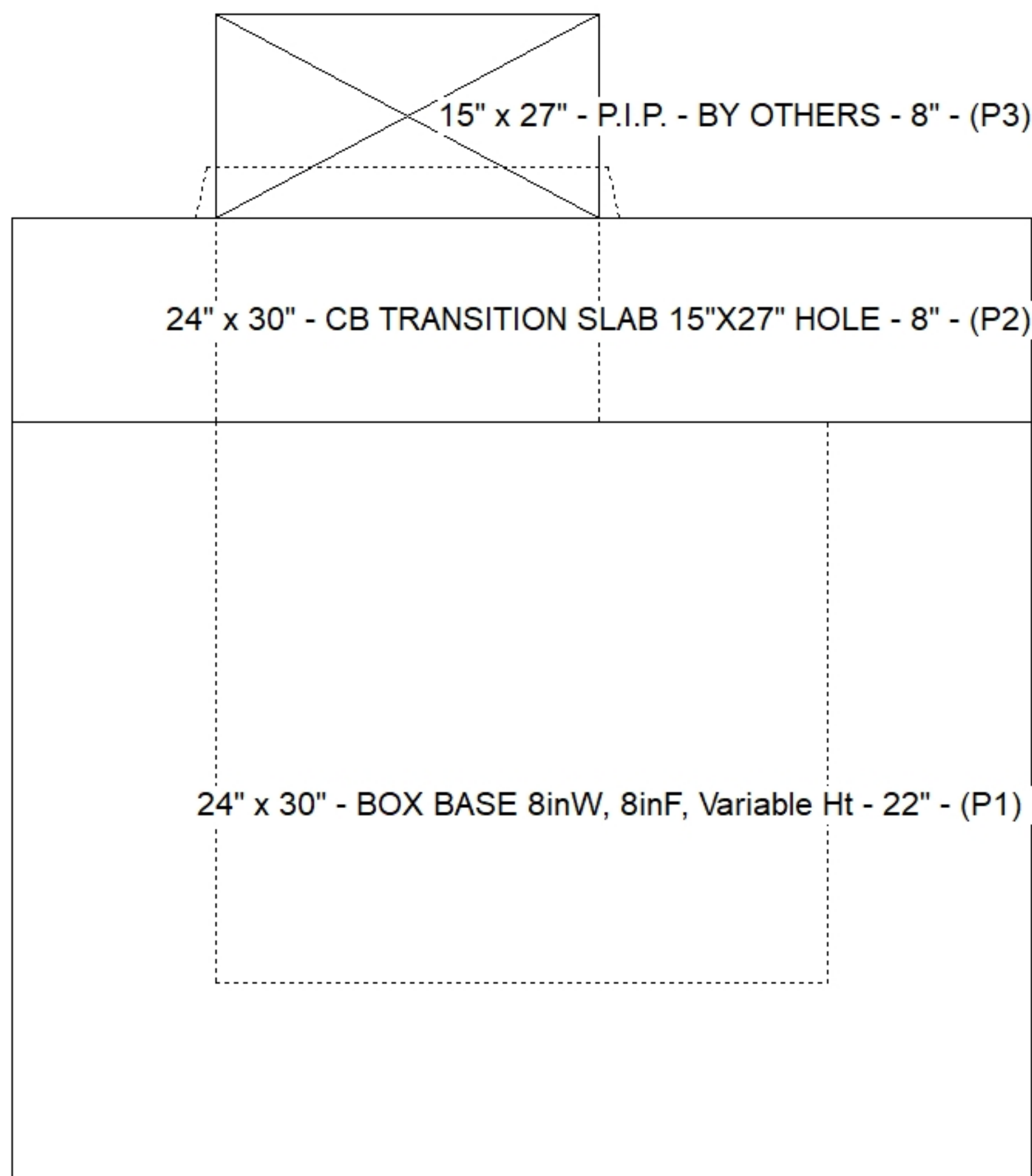
- KYTC STATE PROJECT 251007
- REINFORCING: #5 BAR @ 12" C/C E.W. (TYP.)
- DBI 13G FRAME & GRATE BY OTHERS.
- CS-102 BUTYL REQUIRED (SUPPLIED BY ICAST).
- #5 BAR STUBBED OUT OF TOP OF TRANSITION SLAB 6" AT 12" C/C FOR FIELD POURED CURB & GUTTER.
- KYTC CERTIFICATIONS REQUIRED.

**STRUCTURE SUMMARY:**

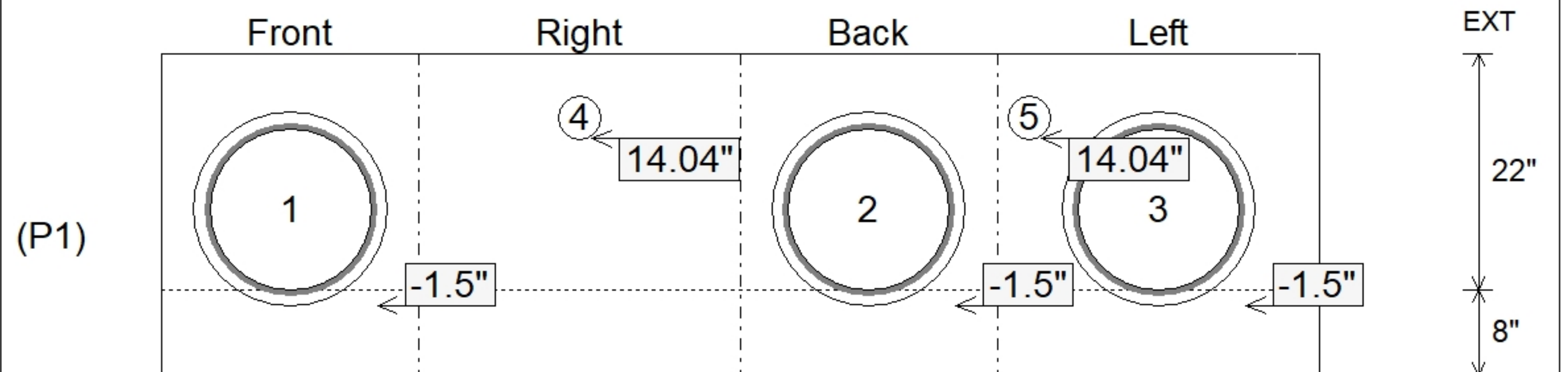
P3) 15" x 27" - P.I.P. - BY OTHERS - 8"	0 lb
P2) 24" x 30" - CB TRANSITION SLAB 15"X27" HOLE - 8"	963 lb
P1) 24" x 30" - BOX BASE 8inW, 8inF, Variable Ht - 22"	2773 lb
1) 24" x 30" - Conseal CS-102 1.00"	0 lb
3) Hole - 18	0 lb
2) Hole - 4	0 lb
<b>Structure Total:</b>	<b>3737 lb</b>



Position	Elev	Angle	Pipe	Pipe OD	Hole	Connector	Up (")	Ref
Rim	594.12'							
Reducer								
Invert 1	590.95'	0°	15" CMP	16"	18"	Hole 18	-1.5"	P1
Invert 2	590.95'	180°	15" CMP	16"	18"	Hole 18	-1.5"	P1
Invert 3	590.95'	270°	15" CMP	16"	18"	Hole 18	-1.5"	P1
Invert 4	592.12'	90°	4" WEEP HOLE	4"	4"	Hole 4	14.04"	P1
Invert 5	592.12'	270°	4" WEEP HOLE	4"	4"	Hole 4	14.04"	P1
Invert 6								
Invert 7								
Invert 8								



**Default - Interior Dimensions**



Submittal Drawing  
 3/24/2026 10:50:05 AM

SUBMITTAL  
 APPROVED BY: