

Job Name: 25-1684P7 KYTC Jefferson Co. Call 200 (251007)
 Job Location: I-264 Louisville, Ky.
 Contractor: Cleary Construction, Inc.

Plant: Beaver Dam, Ky.
 3/19/2026 1:05:03 PM

Tech: J. Coppage
 PC: J. Jarvis



Structure ID: 312+07 RT DBI-13G INLET 67

P2 BX024030-08TS015027

CB TRANSITION SLAB 15"X27" HOLE

- P3) 15" x 27" - P.I.P. - BY OTHERS - 8"
- P2) 24" x 30" - CB TRANSITION SLAB 15"X27" HOLE - 8"
- P1) 24" x 30" - BOX BASE 8inW, 8inF, Variable Ht - 22"
- 1) 24" x 30" - Conseal CS-102 1.00"
- 3) Hole - 18
- 2) Hole - 4

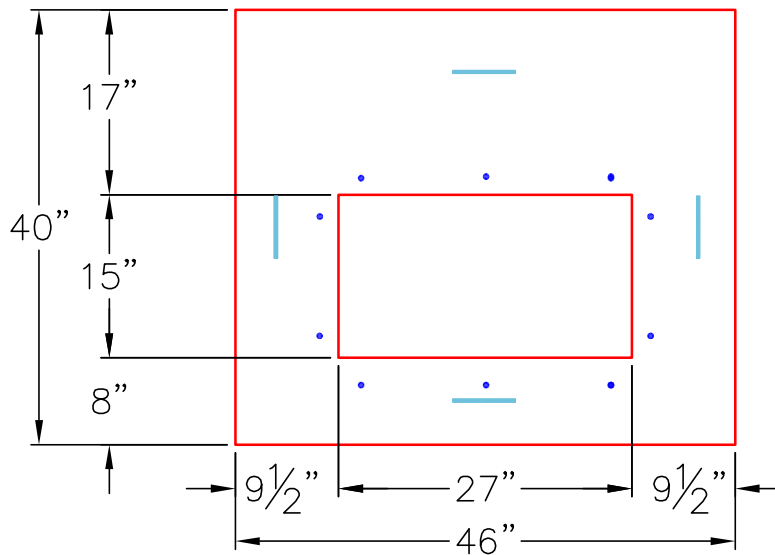
Structure Notes:
 -KYTC STATE PROJECT 251007
 -REINFORCING: #5 BAR @ 12" C/C E.W. (TYP.)
 -DBI 13G FRAME & GRATE BY OTHERS.
 -CS-102 BUTYL REQUIRED (SUPPLIED BY ICAST).
 -#5 BAR STUBBED OUT OF TOP OF TRANSITION SLAB 6"
 AT 12" C/C FOR FIELD POURED CURB & GUTTER.
 -KYTC CERTIFICATIONS REQUIRED.

Structure Total:

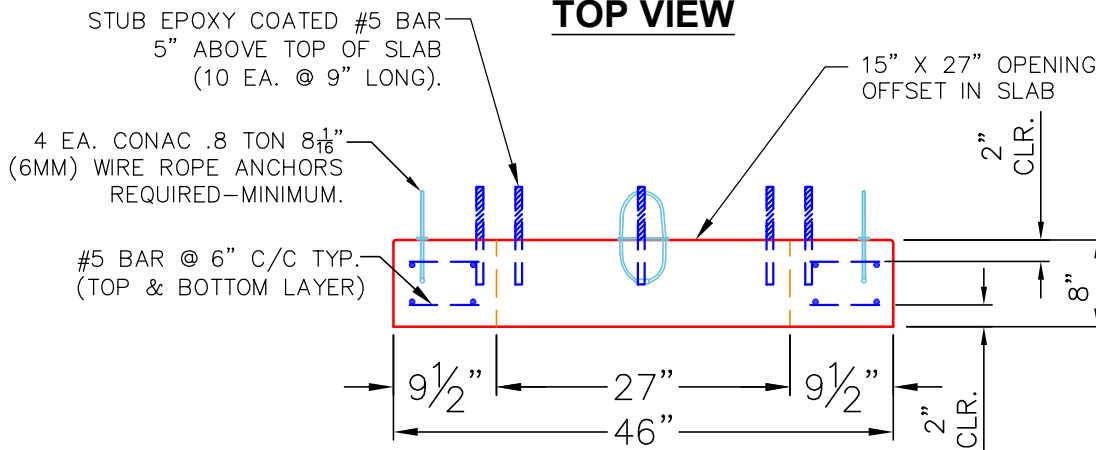
0 lb
 963 lb
 2773 lb
 0 lb
 0 lb
 0 lb

 3737 lb

****KYTC CERTS REQUIRED****



TOP VIEW



FRONT VIEW

- NOTES:
- CONCRETE: 4500 PSI @ 28 DAYS.
 - MANUFACTURED TO KYTC & ASTM C-913 SPECIFICATIONS.
 - REINFORCING: #5 BAR AS SHOWN-GRADE 60. (T&B LAYER)
 - KYTC STATE CERTIFICATIONS REQUIRED.
 - 4 EA. CONAC WIRE LOOP LIFTS REQUIRED (MIN.)

Coating (Int):
 Coating (Ext):

Seam Up: Tongue
 Seam Dn: Flat

Wall Thickness: 8"

Height (Ext): 8"

Weight (Net): 963 lb
 Volume (Net): 0.25cu.yd