

Job Name: 25-1684P7 KYTC Jefferson Co. Call 200 (251007)
 Job Location: I-264 Louisville, Ky.
 Contractor: Cleary Construction, Inc.

Plant: Beaver Dam, Ky.
 3/19/2026 1:04:30 PM

Tech: J. Coppage
 PC: J. Jarvis



Structure ID: 312+07 RT DBI-13G INLET 67

P1 BX24300808VF

BOX BASE 8inW, 8inF, Variable Ht

- P3) 15" x 27" - P.I.P. - BY OTHERS - 8"
- P2) 24" x 30" - CB TRANSITION SLAB 15"X27" HOLE - 8"
- P1) 24" x 30" - BOX BASE 8inW, 8inF, Variable Ht - 22"
- 1) 24" x 30" - Conseal CS-102 1.00"
- 3) Hole - 18
- 2) Hole - 4

0 lb
 963 lb
 2773 lb
 0 lb
 0 lb
 0 lb

 Structure Total: 3737 lb

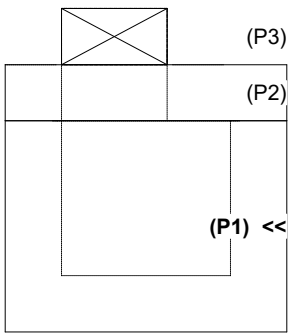
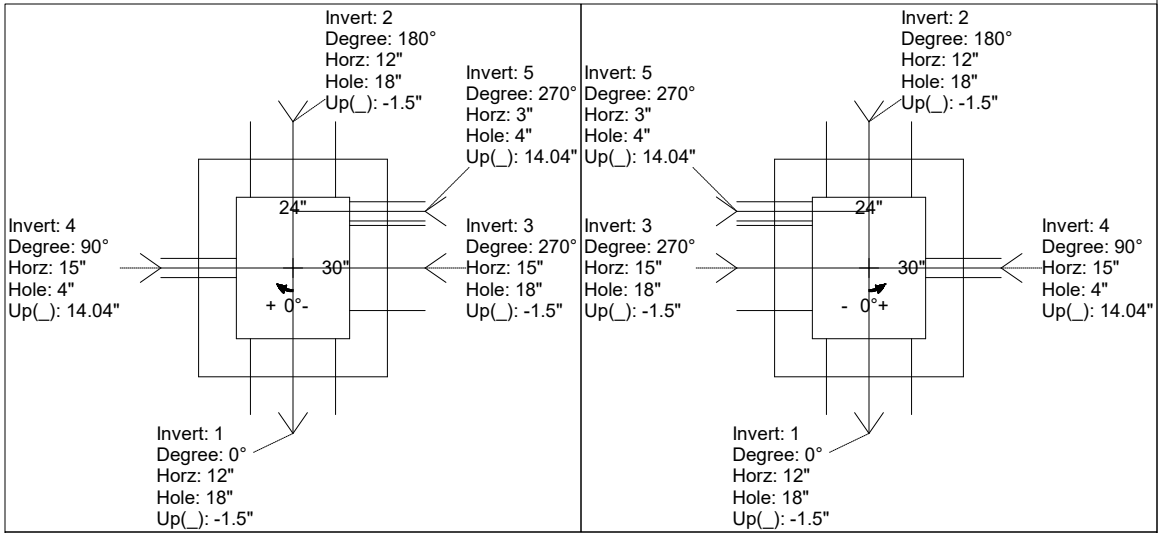
Structure Notes:
 -KYTC STATE PROJECT 251007
 -REINFORCING: #5 BAR @ 12" C/C E.W. (TYP.)
 -DBI 13G FRAME & GRATE BY OTHERS.
 -CS-102 BUTYL REQUIRED (SUPPLIED BY ICAST).
 -#5 BAR STUBBED OUT OF TOP OF TRANSITION SLAB 6"
 AT 12" C/C FOR FIELD POURED CURB & GUTTER.
 -KYTC CERTIFICATIONS REQUIRED.

Rim: 594.12' Rim to Invert: 3.17' Slack: 0.04" Sump: 0" Step Position:

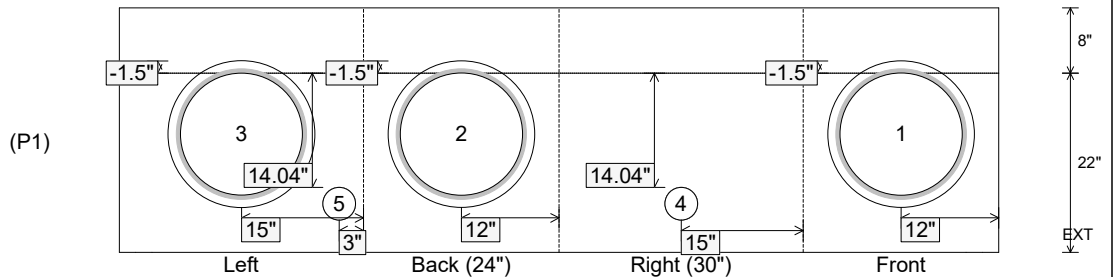
Position	Elev	Angle	Ext. (cw)	Pipe	Pipe OD	Connector	Hole	Horz Size	Up ()	Offset
Invert 1	590.95'	0°	20"	15" CMP	16"	Hole 18	18"	18"	-1.5"	0"
Invert 2	590.95'	180°	20"	15" CMP	16"	Hole 18	18"	18"	-1.5"	0"
Invert 3	590.95'	270°	23"	15" CMP	16"	Hole 18	18"	18"	-1.5"	0"
Invert 4	592.12'	90°	23"	4" WEEP HOLE	4"	Hole 4	4"	4"	14.04"	0"
Invert 5	592.12'	270°	11"	4" WEEP HOLE	4"	Hole 4	4"	4"	14.04"	-12"
Invert 6										
Invert 7										
Invert 8										

RIGHT-SIDE UP VIEW (int. dimensions)

UPSIDE-DOWN VIEW (int. dimensions)



INSIDE WALL DIMENSIONS



Coating (Int): Coating (Ext):	Seam Up: Flat Seam Dn: n/a	Wall Thickness: 8" Floor Height: 8"	Height (Int): 22" Height (Ext): 30"	Weight (Net): 2773 lb Volume (Net): 0.71cu.yd
----------------------------------	-------------------------------	--	--	--