

Job Name: 25-1684P7 KYTC Jefferson Co. Call 200 (251007)
Job Location: I-264 Louisville, Ky.
Contractor: Cleary Construction, Inc.

PC: J. Jarvis
 TECH: J. Coppage
 Plant: Beaver Dam, Ky.



Structure ID: 310+53 RT CBIA INLET 66

Spec: KYTC
 Type: CBI TYPE A (10')
 Size: 24" x 36"

Rim: 593.96'
 Invert: 589.11'
 Rim to Invert: 4.85'

Sump: 0"
 Floor (Top): 589.11'
 Floor Height: 8"

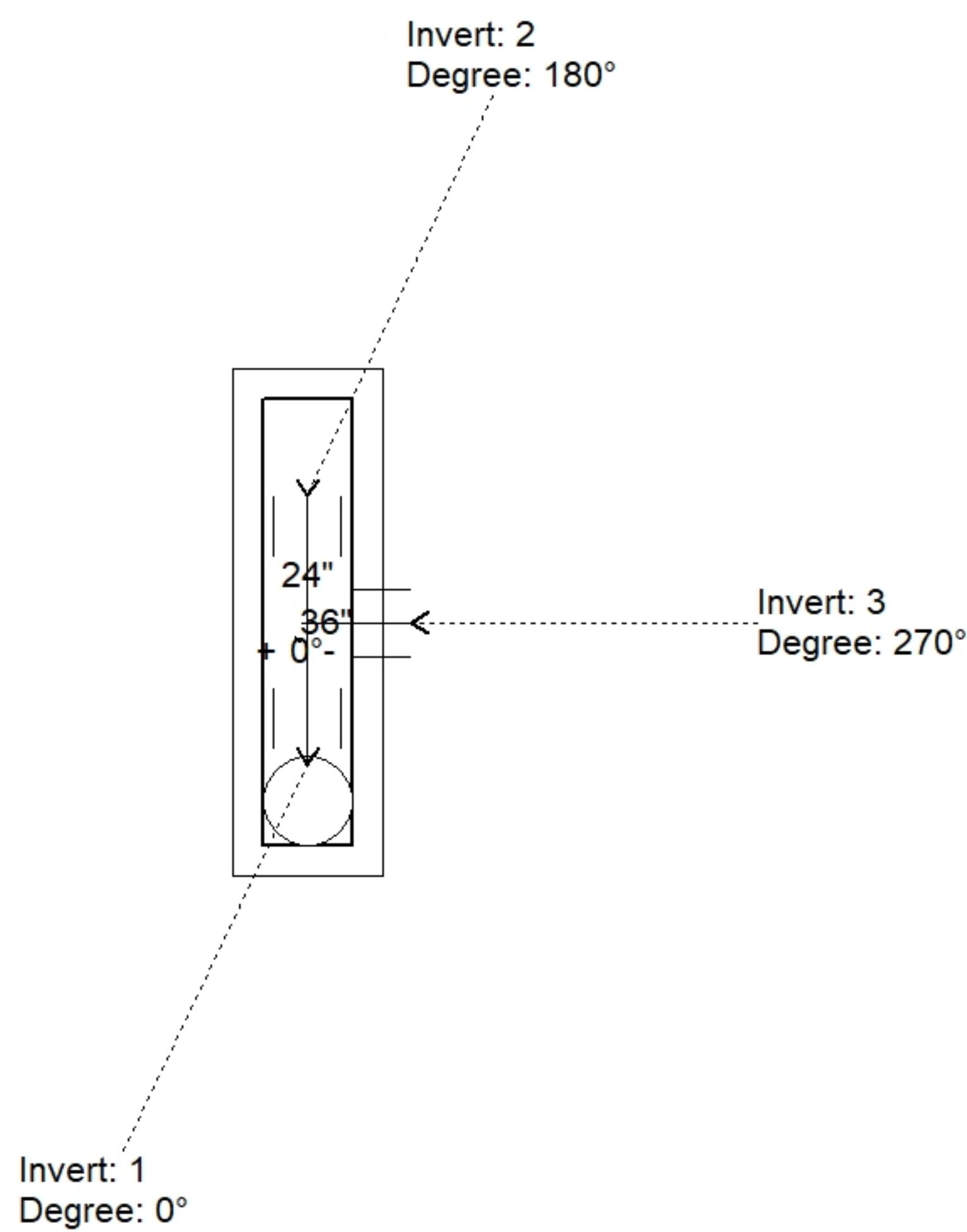
Floor (Bot): 588.443'
 Overall Height: 5.167'
 Slack: 4.2"

Structure Notes:

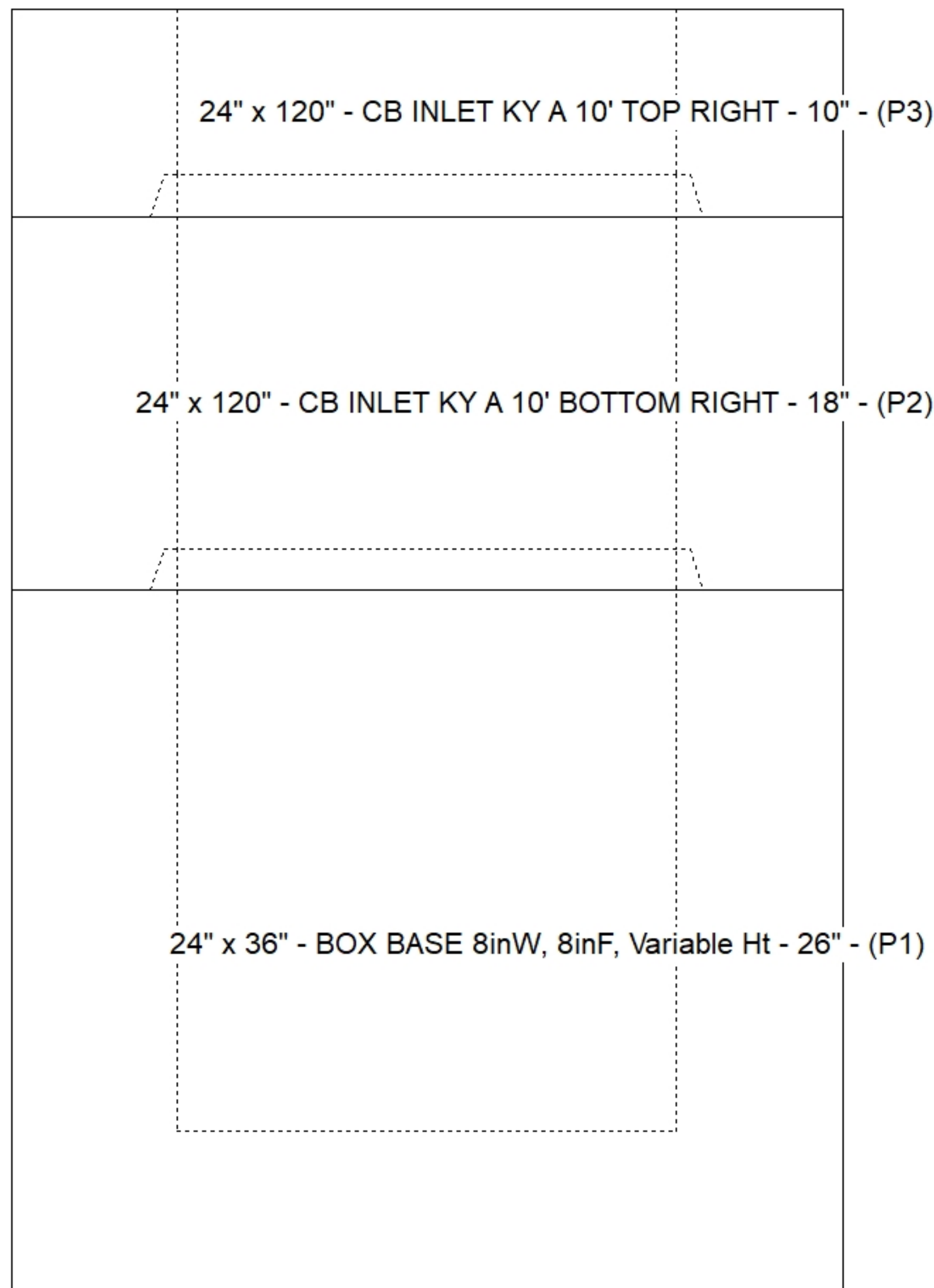
- KYTC STATE PROJECT 251007
- REINFORCING: #5 BAR @ 12" C/C E.W. (TYP.)
- CS-102 BUTYL REQUIRED (SUPPLIED BY ICAST).
- KYTC CERTIFICATIONS REQUIRED.

STRUCTURE SUMMARY:

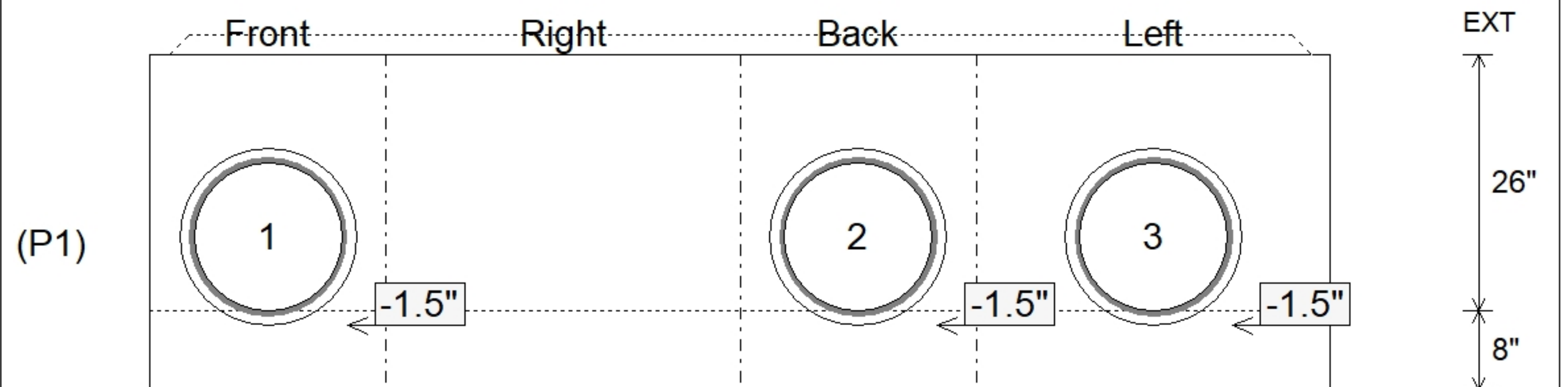
| | |
|--|-----------------|
| P3) 24" x 120" - CB INLET KY A 10' TOP RIGHT - 10" | 3398 lb |
| P2) 24" x 120" - CB INLET KY A 10' BOTTOM RIGHT - 18" | 5270 lb |
| P1) 24" x 36" - BOX BASE 8inW, 8inF, Variable Ht - 26" | 3537 lb |
| 1) 24" x 36" - Conseal CS-102 1.00" | 0 lb |
| 3) Hole - 18 | 0 lb |
| Structure Total: | 12205 lb |



| Position | Elev | Angle | Pipe | Pipe OD | Hole | Connector | Up (L) | Ref |
|----------|---------|-------|---------|---------|------|-----------|--------|-----|
| Rim | 593.96' | | | | | | | |
| Reducer | | | | | | | | |
| Invert 1 | 589.11' | 0° | 15" CMP | 16" | 18" | Hole 18 | -1.5" | P1 |
| Invert 2 | 589.11' | 180° | 15" CMP | 16" | 18" | Hole 18 | -1.5" | P1 |
| Invert 3 | 589.11' | 270° | 15" CMP | 16" | 18" | Hole 18 | -1.5" | P1 |
| Invert 4 | | | | | | | | |
| Invert 5 | | | | | | | | |
| Invert 6 | | | | | | | | |
| Invert 7 | | | | | | | | |
| Invert 8 | | | | | | | | |



Default - Interior Dimensions



Submittal Drawing
 3/24/2026 10:50:03 AM

SUBMITTAL
 APPROVED BY: