

Job Name: 25-1684P7 KYTC Jefferson Co. Call 200 (251007)
Job Location: I-264 Louisville, Ky.
Contractor: Cleary Construction, Inc.

PC: J. Jarvis
 TECH: J. Coppage
 Plant: Beaver Dam, Ky.



Structure ID: 304+87 RT CBIA-MOD INLET 60
 Spec: KYTC
 Type: CBI TYPE A (10') MOD.
 Size: 24" x 120"

Rim: 588.41'
 Invert: 585.14'
 Rim to Invert: 3.27'

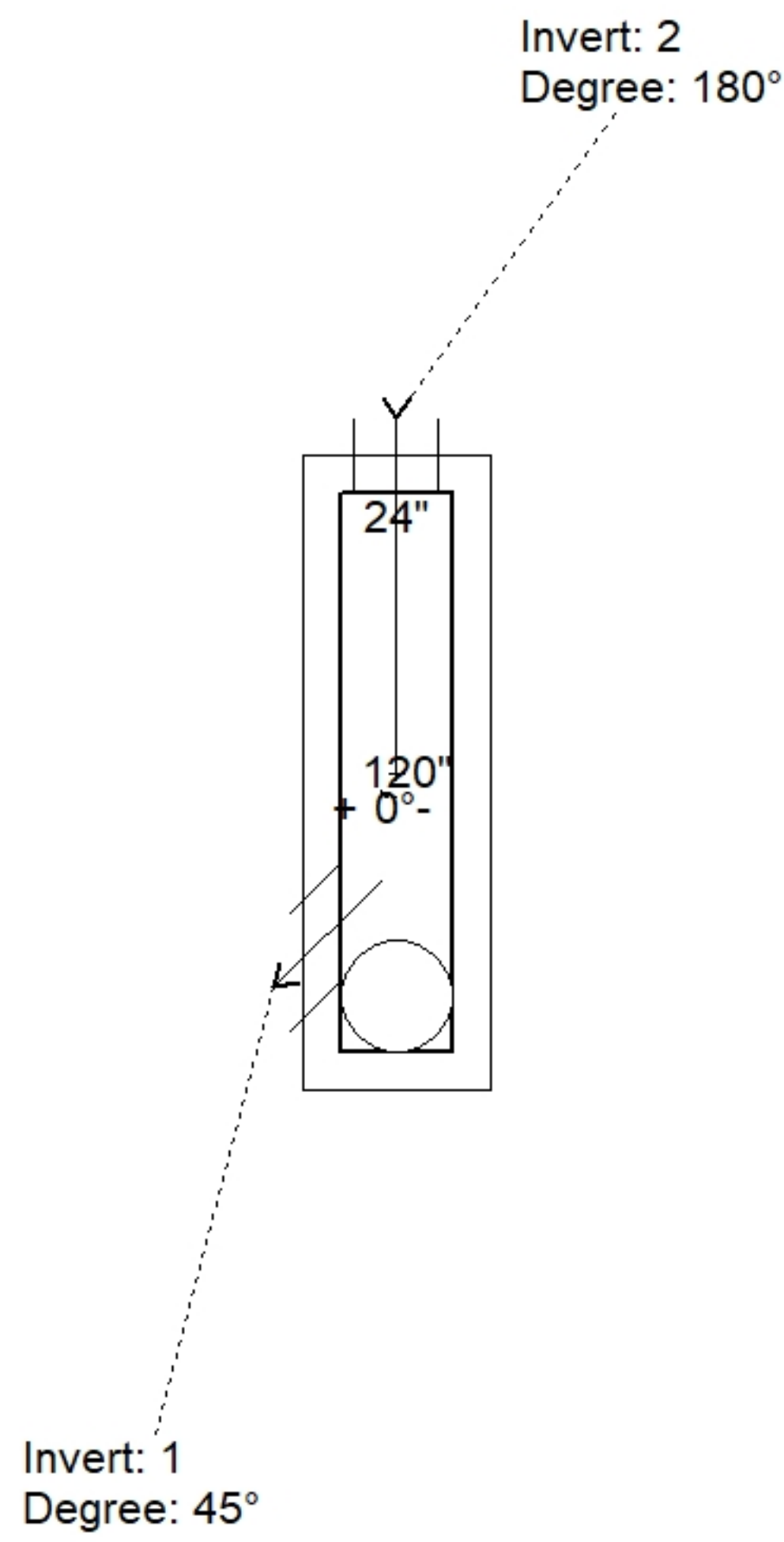
Sump: 0"
 Floor (Top): 585.14'
 Floor Height: 8"

Floor (Bot): 584.473'
 Overall Height: 3.833'
 Slack: 1.24"

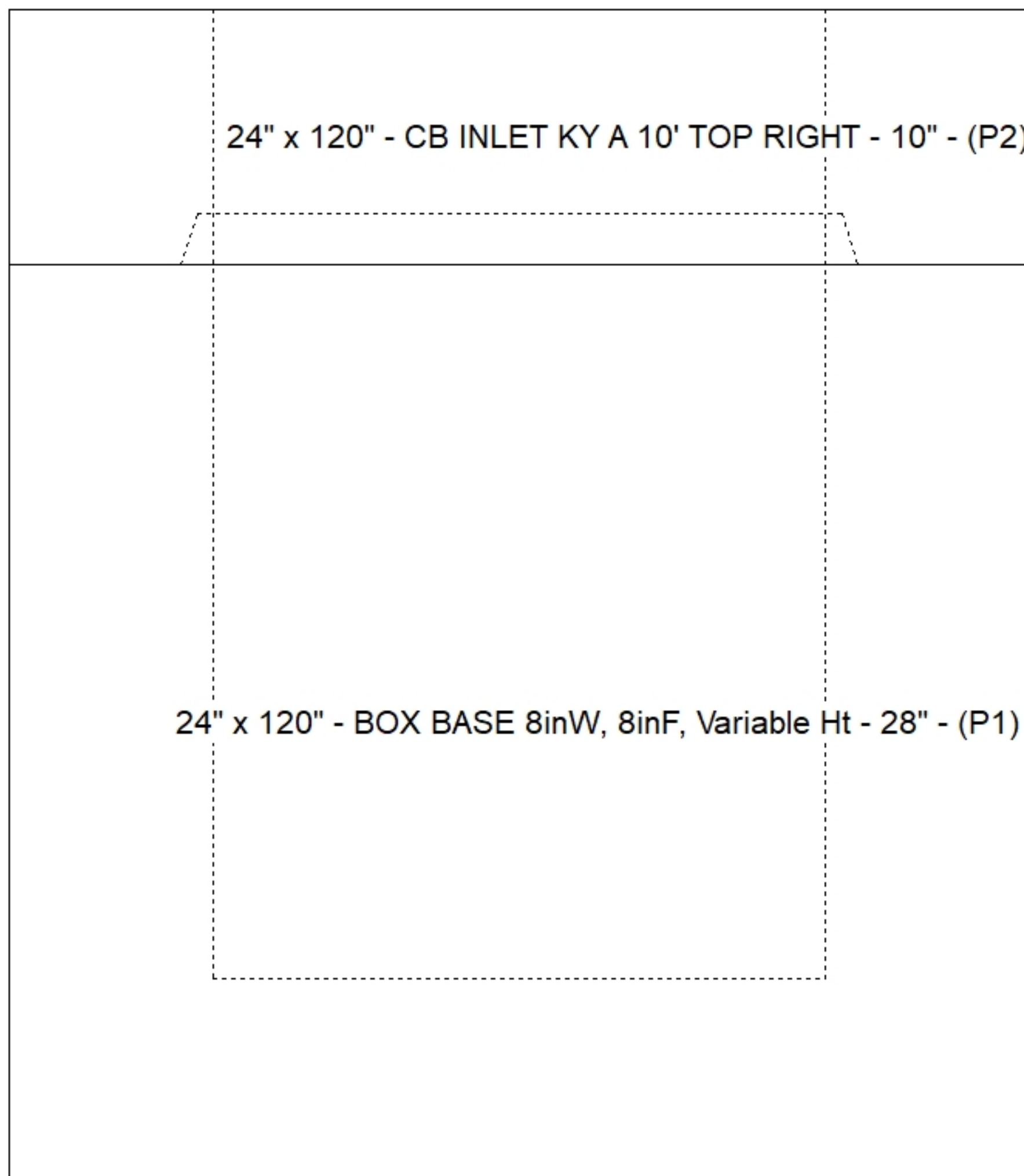
Structure Notes:
 -KYTC STATE PROJECT 251007
 -REINFORCING: #5 BAR @ 12" C/C E.W. (TYP.)
 -CS-102 BUTYL REQUIRED (SUPPLIED BY ICAST).
 -KYTC CERTIFICATIONS REQUIRED.

STRUCTURE SUMMARY:

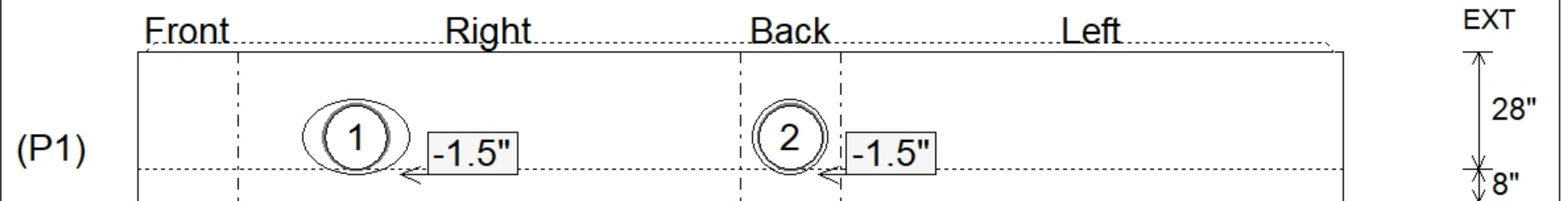
P2) 24" x 120" - CB INLET KY A 10' TOP RIGHT - 10" 3398 lb
 P1) 24" x 120" - BOX BASE 8inW, 8inF, Variable Ht - 28" 9254 lb
 1) SECONDARY POUR - WALLS 0 lb
 1) 24" x 120" - Conseal CS-102 1.00" 0 lb
 2) Hole - 18 0 lb
Structure Total: 12652 lb



Position	Elev	Angle	Pipe	Pipe OD	Hole	Connector	Up (L)	Ref
Rim	588.41'							
Reducer								
Invert 1	585.14'	45°	15" CMP	16"	18"	Hole 18	-1.5"	P1
Invert 2	585.14'	180°	15" CMP	16"	18"	Hole 18	-1.5"	P1
Invert 3								
Invert 4								
Invert 5								
Invert 6								
Invert 7								
Invert 8								



Default - Interior Dimensions



Submittal Drawing
 3/24/2026 10:50:00 AM

SUBMITTAL
 APPROVED BY: