

Job Name: 25-1684P7 KYTC Jefferson Co. Call 200 (251007)  
 Job Location: I-264 Louisville, Ky.  
 Contractor: Cleary Construction, Inc.

Plant: Beaver Dam, Ky.  
 4/3/2026 1:39:05 PM

Tech: J. Coppage  
 PC: J. Jarvis



**Structure ID: 304+87 RT CBIA-MOD INLET 60**

**P1 BX24120-08BVF**

**BOX BASE 8inW, 8inF, Variable Ht**

- P2) 24" x 120" - CB INLET KY A 10' TOP RIGHT - 10"
- P1) 24" x 120" - BOX BASE 8inW, 8inF, Variable Ht - 28"
- 1) SECONDARY POUR - WALLS
- 1) 24" x 120" - Conseal CS-102 1.00"
- 2) Hole - 18

3398 lb  
 9254 lb  
 0 lb  
 0 lb  
 0 lb  
 -----  
 12652 lb

Structure Notes:

- KYTC STATE PROJECT 251007
- REINFORCING: #5 BAR @ 12" C/C E.W. (TYP.)
- CS-102 BUTYL REQUIRED (SUPPLIED BY ICAST).
- KYTC CERTIFICATIONS REQUIRED.
- PRODUCTION TO STUB 10 #5 BAR @ 12" O.C. @ 24" LONG IN THE THROAT FOR TIE IN

Structure Total: 12652 lb

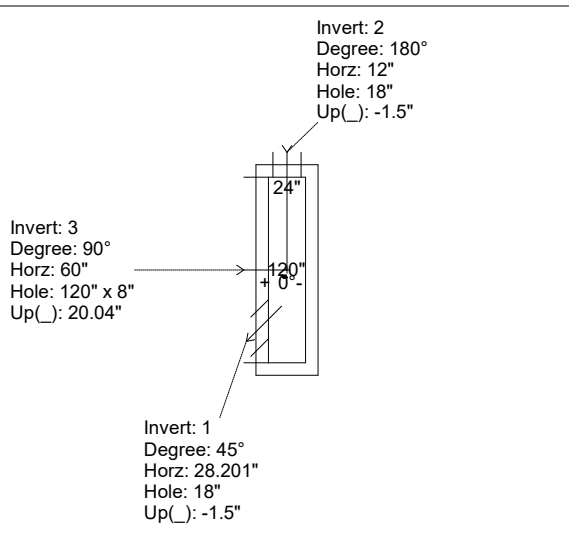
**FIRST POUR DRAWING**

Rim: 588.41' Rim to Invert: 3.27' Slack: 1.24' Sump: 0" Step Position:

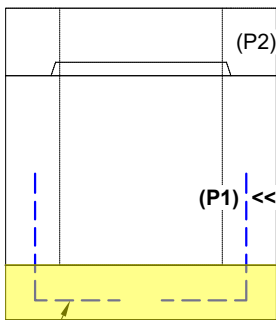
Position	Elev	Angle	Ext. (cw)	Pipe	Pipe OD	Connector	Hole	Horz Size	Up ( )	Offset
Invert 1	585.14'	45°	28.201"	15" CMP	16"	Hole 18	18"	25.456"	-1.5"	-14"
Invert 2	585.14'	180°	20"	15" CMP	16"	Hole 18	18"	18"	-1.5"	0"
Invert 3	586.81'	90°	68"	120" x 8" Horiz Slot	120" x 8"	Horiz Slot 120"x8"	120" x 8"	120"	20.04"	0"
Invert 4										
Invert 5										
Invert 6										
Invert 7										
Invert 8										

**RIGHT-SIDE UP VIEW (int. dimensions)**

**UPSIDE-DOWN VIEW (int. dimensions)**

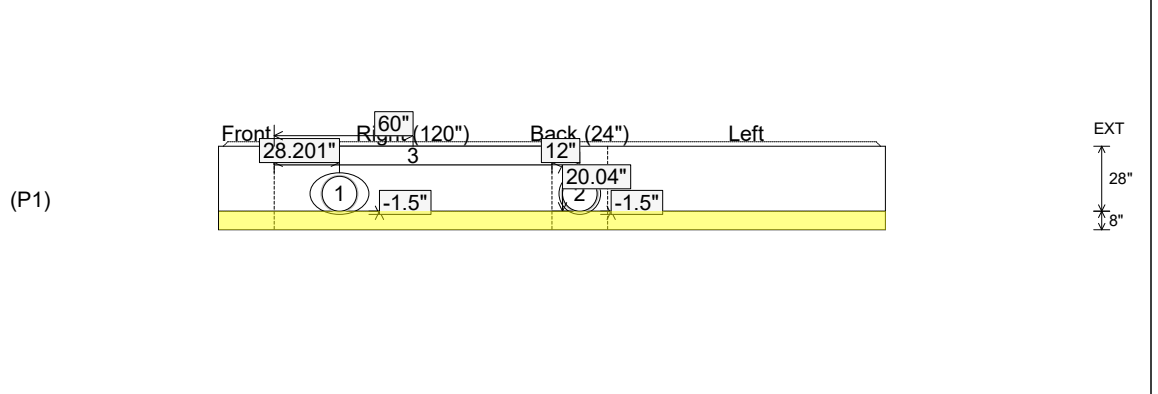


**WEIGHTS:**  
**FIRST POUR - 3,652 LBS.**  
**SECOND POUR - 5,602 LBS.**  
**TOTAL - 9,254 LBS.**



18" X 12" #5 "L" BAR  
 @ 12" ON CENTER TIED  
 INTO THE MAT

**INSIDE WALL DIMENSIONS**



Coating (Int): Coating (Ext):	Seam Up: Tongue Seam Dn: n/a	Wall Thickness: 8" Floor Height: 8"	Height (Int): 28" Height (Ext): 36"	Weight (Net): 9254 lb Volume (Net): 2.36cu.yd
----------------------------------	---------------------------------	--	--	--

Job Name: 25-1684P7 KYTC Jefferson Co. Call 200 (251007)  
 Job Location: I-264 Louisville, Ky.  
 Contractor: Cleary Construction, Inc.

Plant: Beaver Dam, Ky.  
 4/3/2026 1:39:05 PM

Tech: J. Coppage  
 PC: J. Jarvis



**Structure ID: 304+87 RT CBIA-MOD INLET 60**

**P1 BX24120-08BVF**

**BOX BASE 8inW, 8inF, Variable Ht**

- P2) 24" x 120" - CB INLET KY A 10' TOP RIGHT - 10"
- P1) 24" x 120" - BOX BASE 8inW, 8inF, Variable Ht - 28"
- 1) SECONDARY POUR - WALLS
- 1) 24" x 120" - Conseal CS-102 1.00"
- 2) Hole - 18

3398 lb  
 9254 lb  
 0 lb  
 0 lb  
 0 lb  
 -----  
 12652 lb

Structure Notes:

- KYTC STATE PROJECT 251007
- REINFORCING: #5 BAR @ 12" C/C E.W. (TYP.)
- CS-102 BUTYL REQUIRED (SUPPLIED BY ICAST).
- KYTC CERTIFICATIONS REQUIRED.
- PRODUCTION TO STUB 10 #5 BAR @ 12" O.C. @ 24" LONG IN THE THROAT FOR TIE IN

Structure Total:

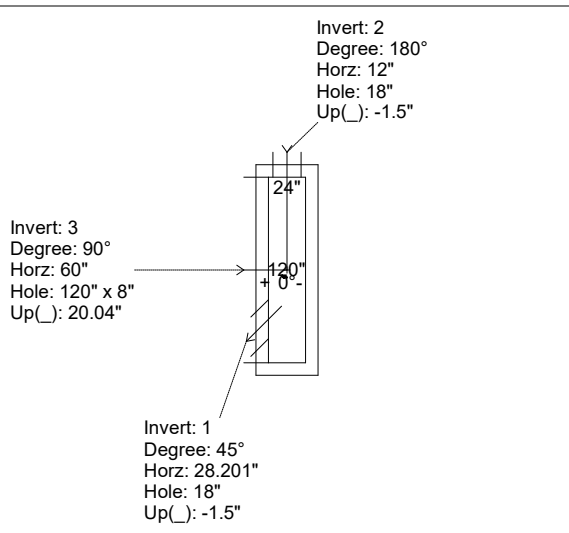
**SECOND POUR DRAWING**

Rim: 588.41' Rim to Invert: 3.27' Slack: 1.24' Sump: 0" Step Position:

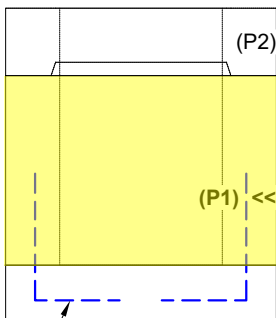
Position	Elev	Angle	Ext. (cw)	Pipe	Pipe OD	Connector	Hole	Horz Size	Up (↓)	Offset
Invert 1	585.14'	45°	28.201"	15" CMP	16"	Hole 18	18"	25.456"	-1.5"	-14"
Invert 2	585.14'	180°	20"	15" CMP	16"	Hole 18	18"	18"	-1.5"	0"
Invert 3	586.81'	90°	68"	120" x 8" Horiz Slot	120" x 8"	Horiz Slot 120"x8"	120" x 8"	120"	20.04"	0"
Invert 4										
Invert 5										
Invert 6										
Invert 7										
Invert 8										

RIGHT-SIDE UP VIEW (int. dimensions)

UPSIDE-DOWN VIEW (int. dimensions)

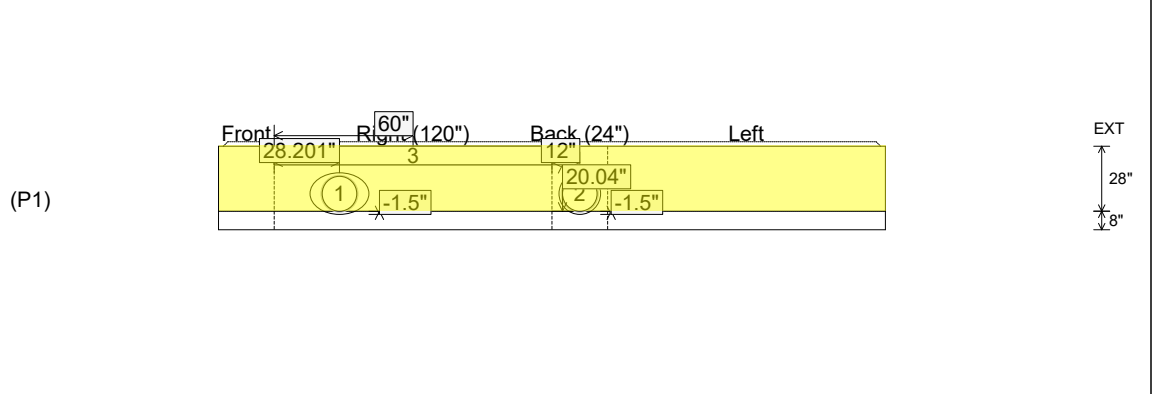


**WEIGHTS:**  
**FIRST POUR - 3,652 LBS.**  
**SECOND POUR - 5,602 LBS.**  
**TOTAL - 9,254 LBS.**



18" X 12" #5 "L" BAR  
 @ 12" ON CENTER TIED  
 INTO THE MAT

INSIDE WALL DIMENSIONS



Coating (Int): Coating (Ext):	Seam Up: Tongue Seam Dn: n/a	Wall Thickness: 8" Floor Height: 8"	Height (Int): 28" Height (Ext): 36"	Weight (Net): 9254 lb Volume (Net): 2.36cu.yd
----------------------------------	---------------------------------	--	--	--