

Job Name: 25-1684P7 KYTC Jefferson Co. Call 200 (251007)
 Job Location: I-264 Louisville, Ky.
 Contractor: Cleary Construction, Inc.

Plant: Beaver Dam, Ky.
 3/19/2026 1:04:20 PM

Tech: J. Coppage
 PC: J. Jarvis



Structure ID: 304+78 RT JB-A INLET 59

P1 BX2436-08BVF

BOX BASE 8inW, 8inF, Variable Ht

- P2) 24" x 36" - BX FLAT LID 8inW SOLID - 8"
- P1) 24" x 36" - BOX BASE 8inW, 8inF, Variable Ht - 27"
- 1) 24" x 36" - Conseal CS-102 1.00"
- 1) Hole - 26
- 2) Hole - 18
- 1) Hole - 22

1396 lb
 3171 lb
 0 lb
 0 lb
 0 lb
 0 lb

Structure Notes:
 -KYTC STATE PROJECT 251007
 -REINFORCING: #5 BAR @ 12" C/C E.W. (TYP.)
 -CS-102 BUTYL REQUIRED (SUPPLIED BY ICAST).
 -KYTC CERTIFICATIONS REQUIRED.

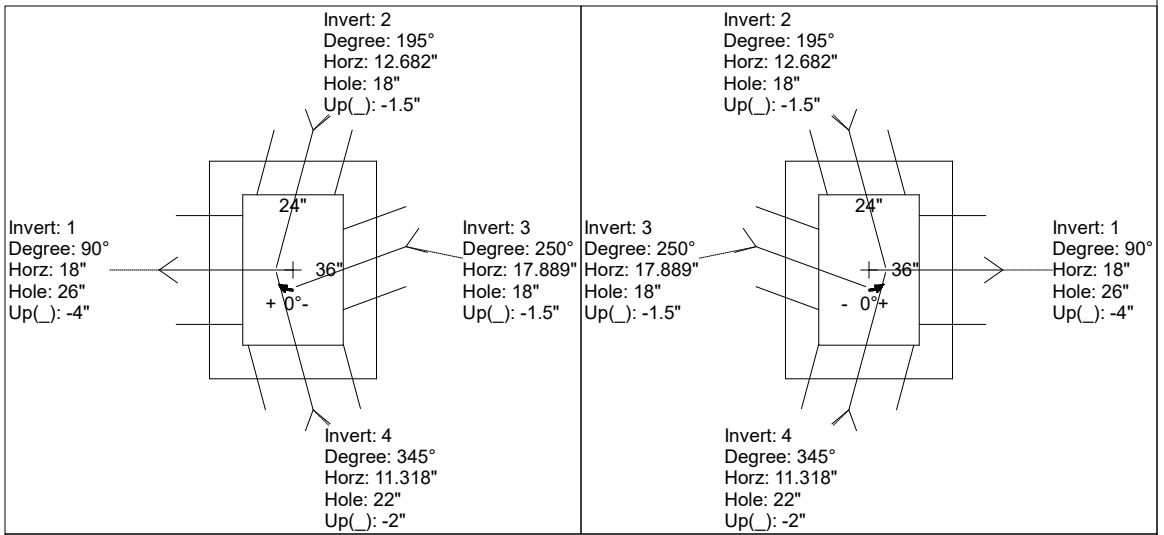
Structure Total: 4567 lb

Rim: 588.04' Rim to Invert: 2.94' Slack: 0.28" Sump: 0" Step Position:

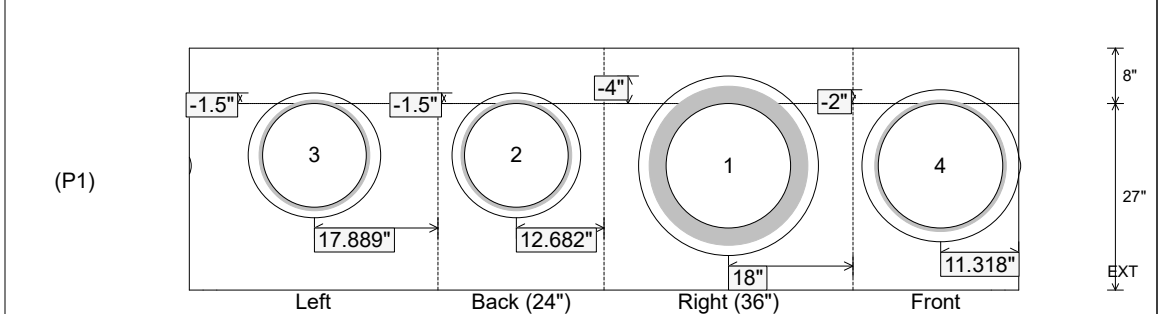
Position	Elev	Angle	Ext. (cw)	Pipe	Pipe OD	Connector	Hole	Horz Size	Up ()	Offset
Invert 1	585.1'	90°	26"	18" RCP B WALL	23"	Hole 26	26"	26"	-4"	0"
Invert 2	585.1'	195°	22.826"	15" CMP	16"	Hole 18	18"	18.635"	-1.5"	-4"
Invert 3	585.1'	250°	22.977"	15" CMP	16"	Hole 18	18"	19.155"	-1.5"	4"
Invert 4	585.1'	345°	17.174"	18" CMP	19"	Hole 22	22"	22.706", 0.261"	-2"	4"
Invert 5										
Invert 6										
Invert 7										
Invert 8										

RIGHT-SIDE UP VIEW (int. dimensions)

UPSIDE-DOWN VIEW (int. dimensions)



INSIDE WALL DIMENSIONS



Coating (Int): Coating (Ext):	Seam Up: Flat Seam Dn: n/a	Wall Thickness: 8" Floor Height: 8"	Height (Int): 27" Height (Ext): 35"	Weight (Net): 3171 lb Volume (Net): 0.81cu.yd
----------------------------------	-------------------------------	--	--	--