

Job Name: 25-1684P7 KYTC Jefferson Co. Call 200 (251007)
Job Location: I-264 Louisville, Ky.
Contractor: Cleary Construction, Inc.

PC: J. Jarvis
 TECH: J. Coppage
 Plant: Beaver Dam, Ky.



Structure ID: 303+95 RT DBI-13S INLET 56

Spec: KYTC
 Type: DBI TYPE 13S
 Size: 16" x 60"

Rim: 587.8'
 Invert: 585.5'
 Rim to Invert: 2.3'

Sump: 0"
 Floor (Top): 585.5'
 Floor Height: 8"

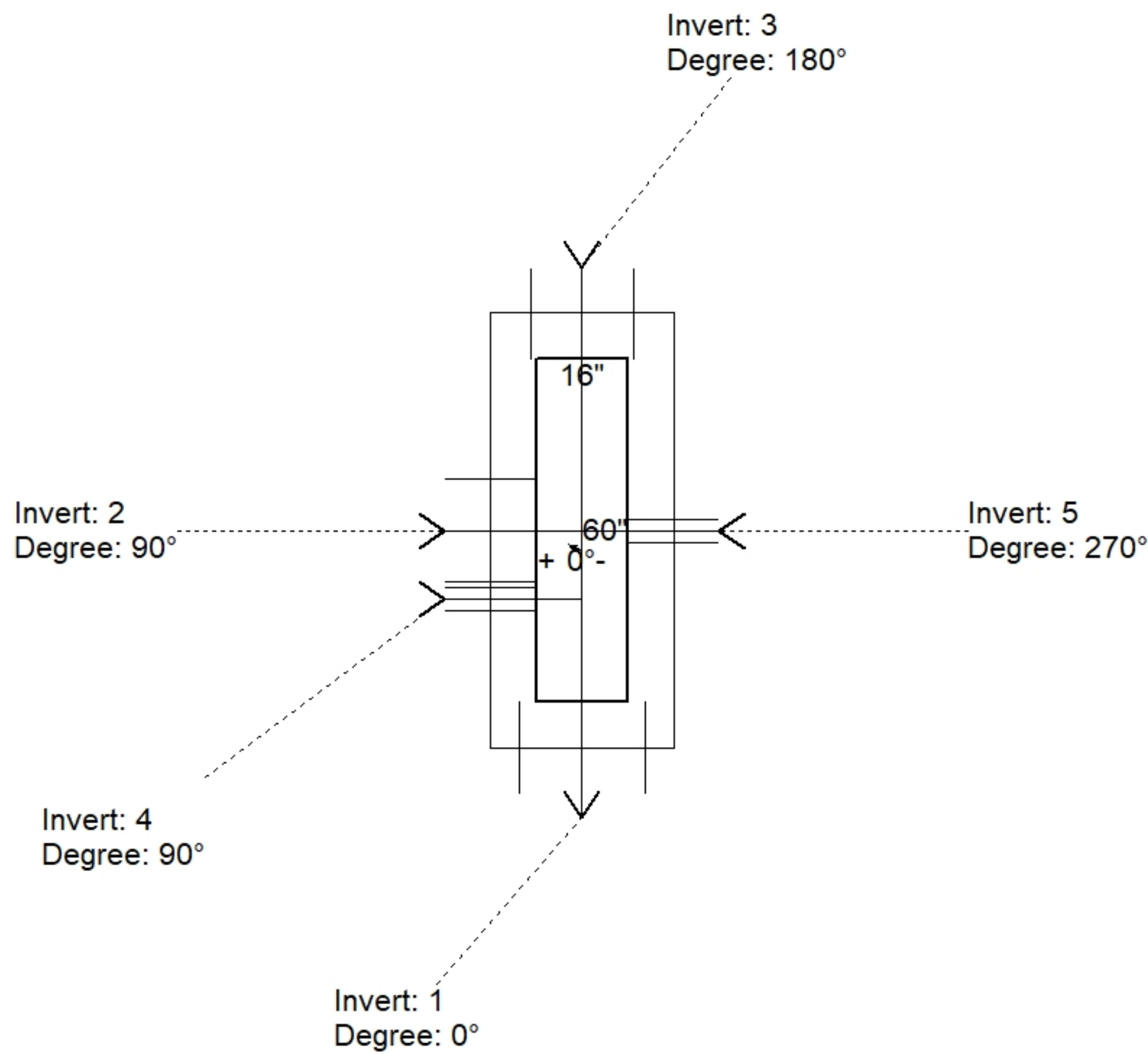
Floor (Bot): 584.833'
 Overall Height: 2.917'
 Slack: 0.6"

Structure Notes:

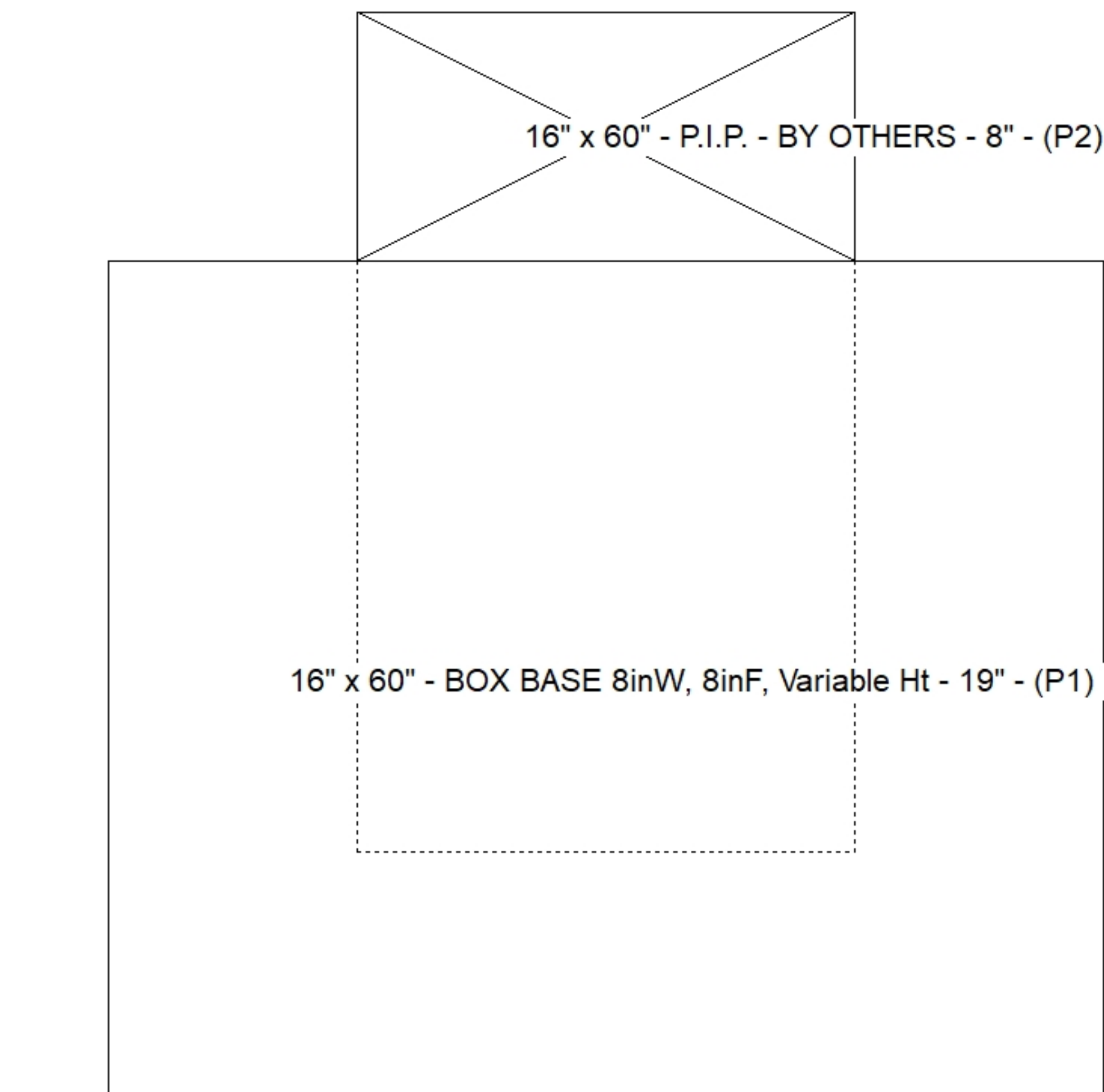
- KYTC STATE PROJECT 251007
- REINFORCING: #5 BAR @ 12" C/C E.W. (TYP.)
- DBI 13S FRAME & GRATE BY OTHERS.
- CS-102 BUTYL REQUIRED (SUPPLIED BY ICAST).
- #5 BAR STUBBED OUT OF TOP OF BOX 24" AT 12" C/C FOR FIELD POURED CURB & GUTTER.
- KYTC CERTIFICATIONS REQUIRED.

STRUCTURE SUMMARY:

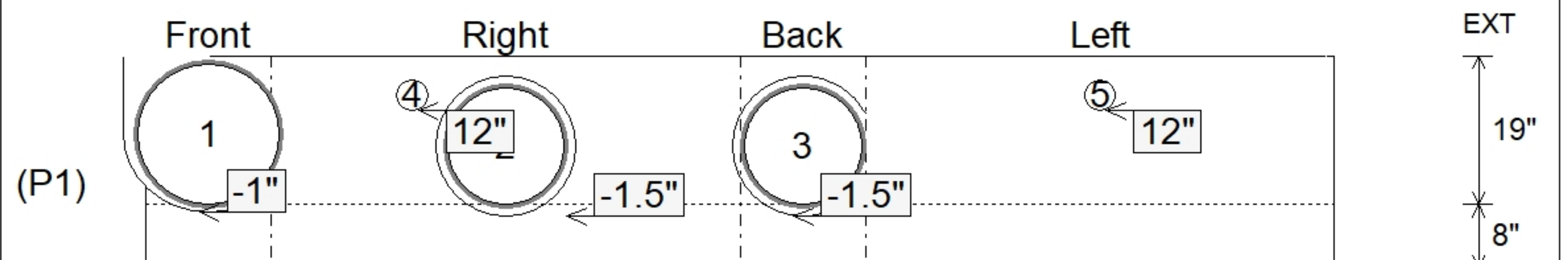
P2) 16" x 60" - P.I.P. - BY OTHERS - 8"	0 lb
P1) 16" x 60" - BOX BASE 8inW, 8inF, Variable Ht - 19"	3466 lb
1) SECONDARY POUR - WALLS	0 lb
1) DOGHOUSE INVRTD - 22"x20"	0 lb
2) Hole - 18	0 lb
2) Hole - 4	0 lb
Structure Total:	3466 lb



Position	Elev	Angle	Pipe	Pipe OD	Hole	Connector	Up (")	Ref
Rim	587.8'							
Reducer								
Invert 1	585.5'	0°	18" CMP	19"	22" x 20"	DOGHOUSE INVRTD 22"x20"	-1"	P1
Invert 2	585.5'	90°	15" CMP	16"	18"	Hole 18	-1.5"	P1
Invert 3	585.5'	180°	15" CMP	16"	18"	Hole 18	-1.5"	P1
Invert 4	586.5'	90°	4" WEEP HOLE	4"	4"	Hole 4	12"	P1
Invert 5	586.5'	270°	4" WEEP HOLE	4"	4"	Hole 4	12"	P1
Invert 6								
Invert 7								
Invert 8								



Default - Interior Dimensions



Submittal Drawing
 3/24/2026 10:50:00 AM

SUBMITTAL
 APPROVED BY: