

Job Name: 25-1684P7 KYTC Jefferson Co. Call 200 (251007)
Job Location: I-264 Louisville, Ky.
Contractor: Cleary Construction, Inc.

PC: J. Jarvis
 TECH: J. Coppage
 Plant: Beaver Dam, Ky.

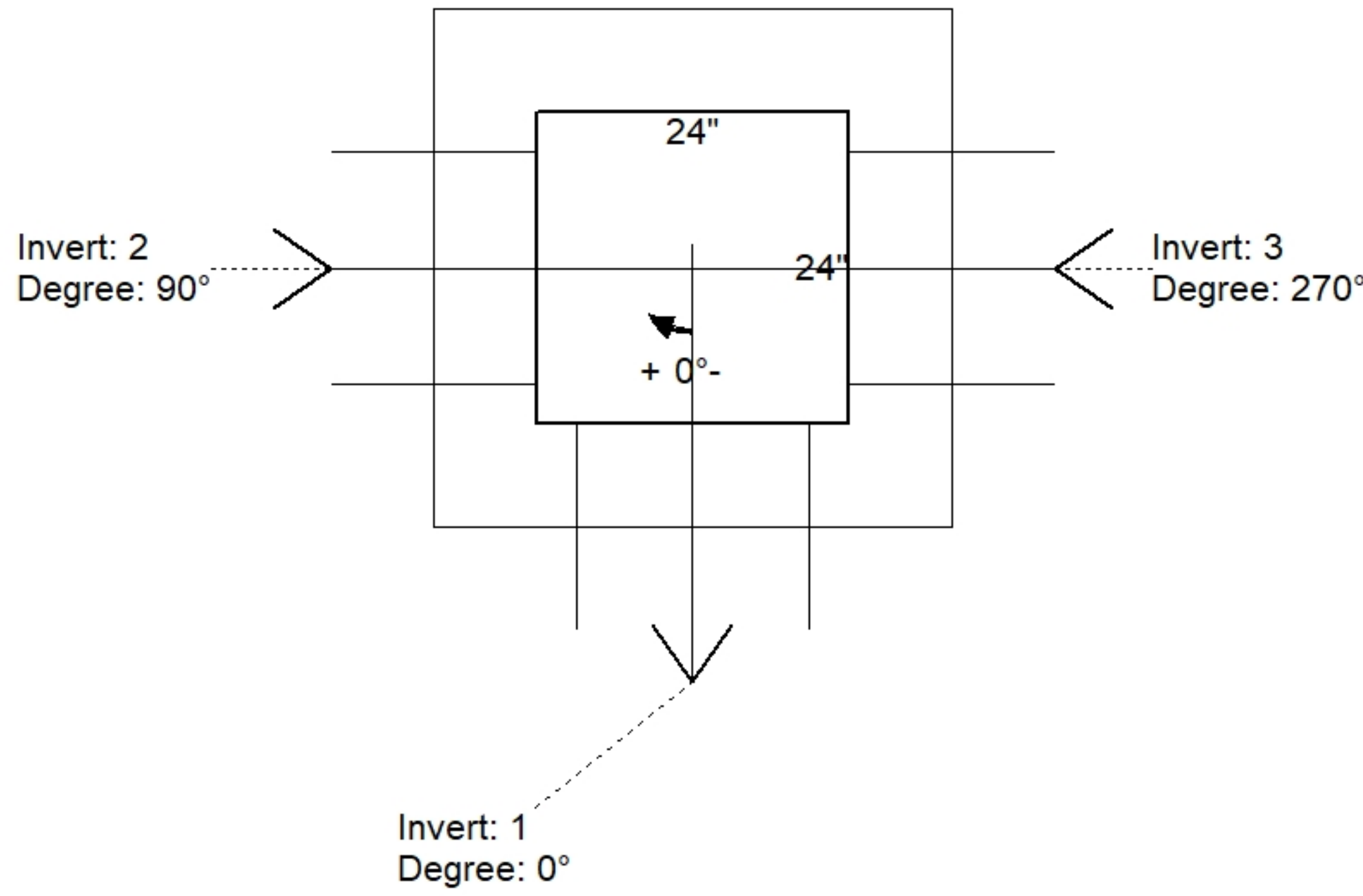


Structure ID: 303+12 RT JB-A INLET 54
 Spec: KYTC Rim: 588.37' Sump: 0" Floor (Bot): 585.283'
 Type: Junction Box Invert: 585.95' Floor (Top): 585.95' Overall Height: 3.083'
 Size: 24" x 24" Rim to Invert: 2.42' Floor Height: 8" Slack: 0.04"

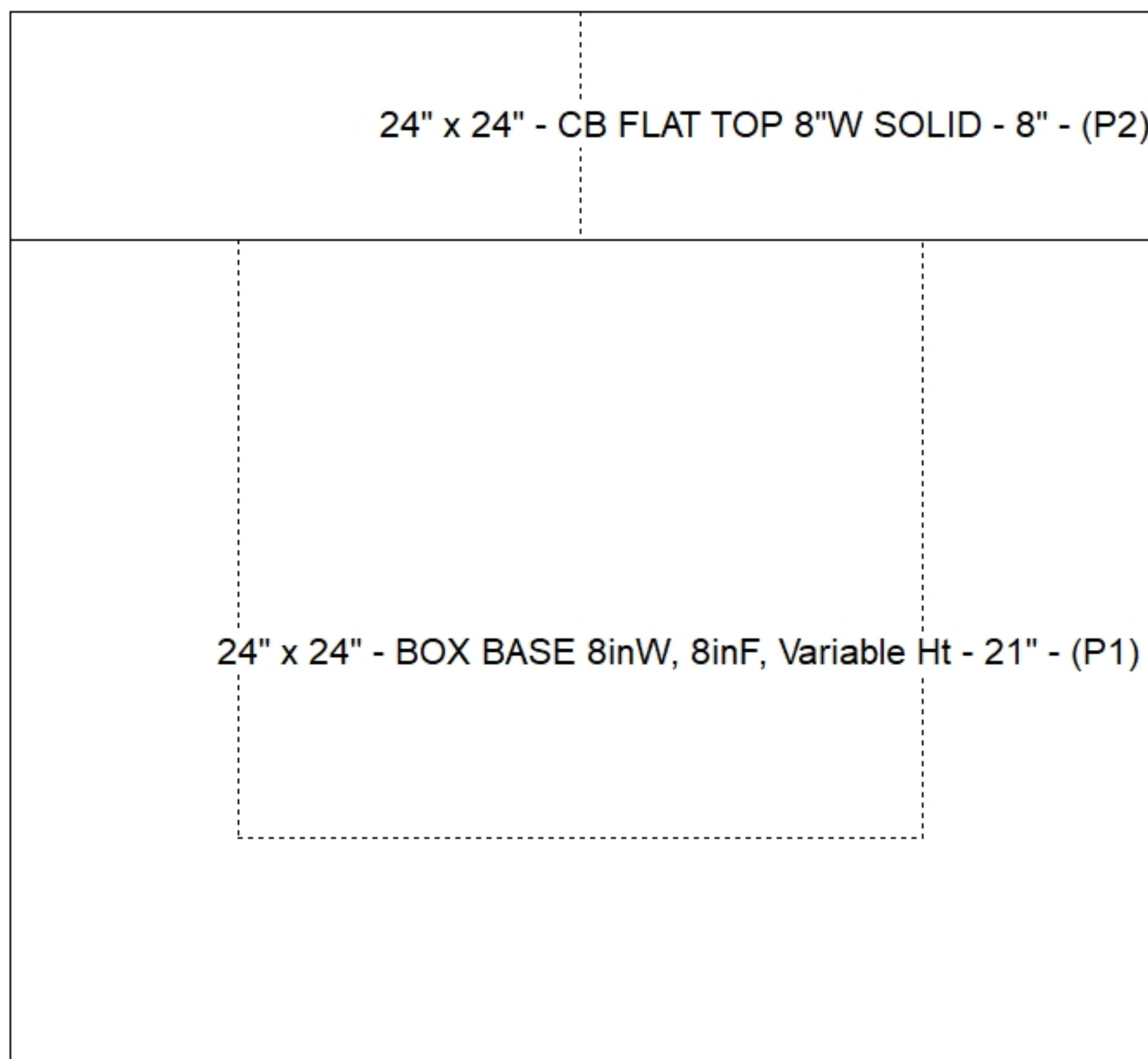
Structure Notes:
 -KYTC STATE PROJECT 251007
 -REINFORCING: #5 BAR @ 12" C/C E.W. (TYP.)
 -CS-102 BUTYL REQUIRED (SUPPLIED BY ICAST).
 -KYTC CERTIFICATIONS REQUIRED.

STRUCTURE SUMMARY:

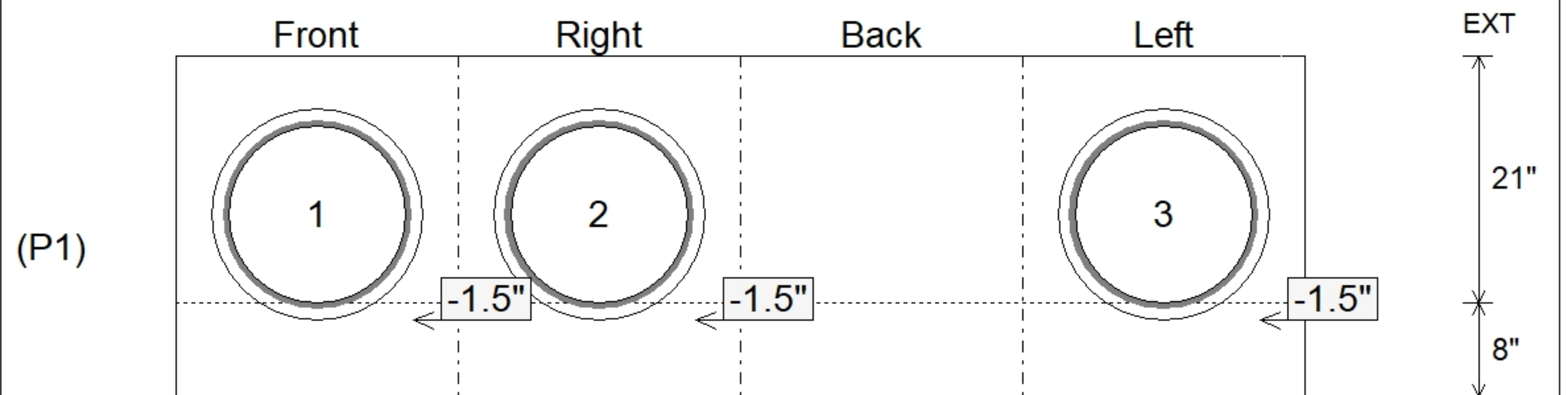
P2) 24" x 24" - CB FLAT TOP 8"W SOLID - 8"	1074 lb
P1) 24" x 24" - BOX BASE 8inW, 8inF, Variable Ht - 21"	2366 lb
1) 24" x 24" - Con Seal CS-102 1.00"	0 lb
3) Hole - 18	0 lb
Structure Total:	3440 lb



Position	Elev	Angle	Pipe	Pipe OD	Hole	Connector	Up (L)	Ref
Rim	588.37'							
Reducer								
Invert 1	585.95'	0°	15" CMP	16"	18"	Hole 18	-1.5"	P1
Invert 2	585.95'	90°	15" CMP	16"	18"	Hole 18	-1.5"	P1
Invert 3	585.95'	270°	15" CMP	16"	18"	Hole 18	-1.5"	P1
Invert 4								
Invert 5								
Invert 6								
Invert 7								
Invert 8								



Default - Interior Dimensions



Submittal Drawing
 3/24/2026 10:49:59 AM

SUBMITTAL
 APPROVED BY: