

Job Name: 25-1684P7 KYTC Jefferson Co. Call 200 (251007)
 Job Location: I-264 Louisville, Ky.
 Contractor: Cleary Construction, Inc.

Plant: Beaver Dam, Ky.
 3/19/2026 1:04:15 PM

Tech: J. Coppage
 PC: J. Jarvis



Structure ID: 303+12 RT JB-A INLET 54

P1 BX2424-08BAVF

BOX BASE 8inW, 8inF, Variable Ht

- P2) 24" x 24" - CB FLAT TOP 8"W SOLID - 8"
- P1) 24" x 24" - BOX BASE 8inW, 8inF, Variable Ht - 21"
- 1) 24" x 24" - Conseal CS-102 1.00"
- 3) Hole - 18

1074 lb
 2366 lb
 0 lb
 0 lb

 Structure Total: 3440 lb

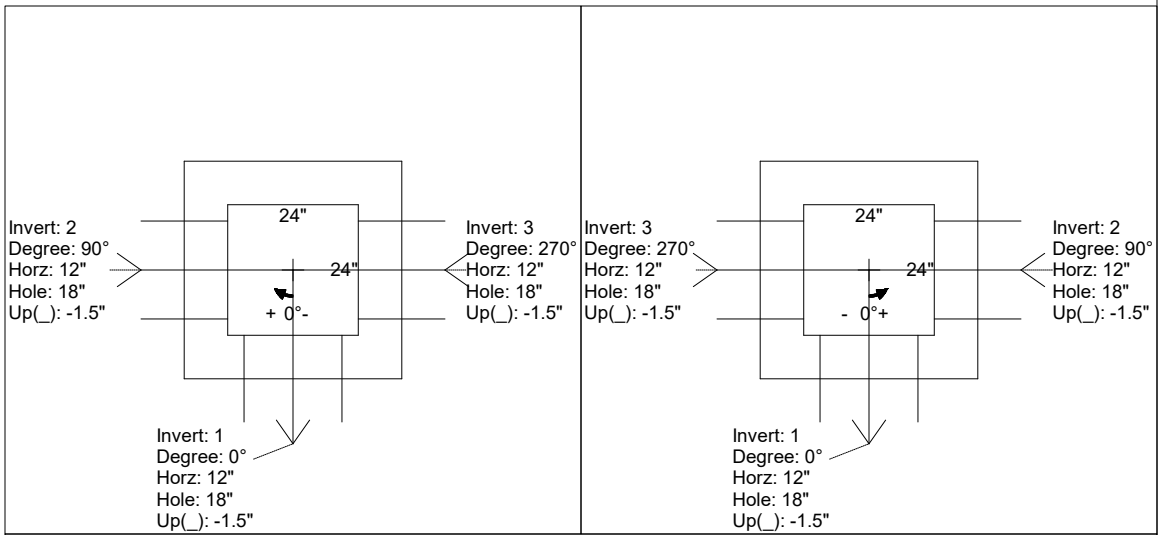
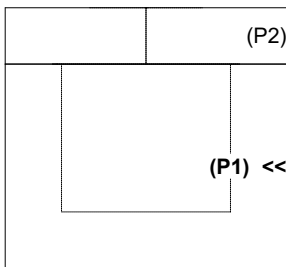
Structure Notes:
 -KYTC STATE PROJECT 251007
 -REINFORCING: #5 BAR @ 12" C/C E.W. (TYP.)
 -CS-102 BUTYL REQUIRED (SUPPLIED BY ICAST).
 -KYTC CERTIFICATIONS REQUIRED.

Rim: 588.37' Rim to Invert: 2.42' Slack: 0.04" Sump: 0" Step Position:

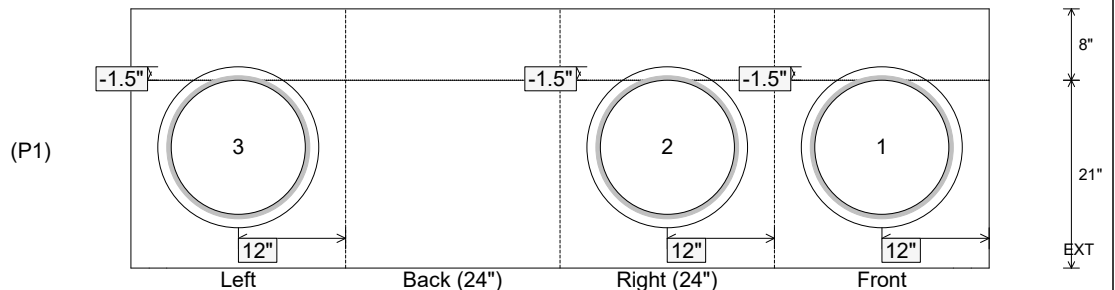
Position	Elev	Angle	Ext. (cw)	Pipe	Pipe OD	Connector	Hole	Horz Size	Up ()	Offset
Invert 1	585.95'	0°	20"	15" CMP	16"	Hole 18	18"	18"	-1.5"	0"
Invert 2	585.95'	90°	20"	15" CMP	16"	Hole 18	18"	18"	-1.5"	0"
Invert 3	585.95'	270°	20"	15" CMP	16"	Hole 18	18"	18"	-1.5"	0"
Invert 4										
Invert 5										
Invert 6										
Invert 7										
Invert 8										

RIGHT-SIDE UP VIEW (int. dimensions)

UPSIDE-DOWN VIEW (int. dimensions)



INSIDE WALL DIMENSIONS



Coating (Int): Coating (Ext):	Seam Up: Flat Seam Dn: n/a	Wall Thickness: 8" Floor Height: 8"	Height (Int): 21" Height (Ext): 29"	Weight (Net): 2366 lb Volume (Net): 0.6cu.yd
----------------------------------	-------------------------------	--	--	---