

Job Name: 25-1684P7 KYTC Jefferson Co. Call 200 (251007)
Job Location: I-264 Louisville, Ky.
Contractor: Cleary Construction, Inc.

PC: J. Jarvis
 TECH: J. Coppage
 Plant: Beaver Dam, Ky.



Structure ID: 303+12 RT DBI-13G INLET 55

Spec: KYTC
 Type: DBI TYPE 13G
 Size: 16" x 28"

Rim: 588.28'
 Invert: 586.01'
 Rim to Invert: 2.27'

Sump: 0"
 Floor (Top): 586.01'
 Floor Height: 8"

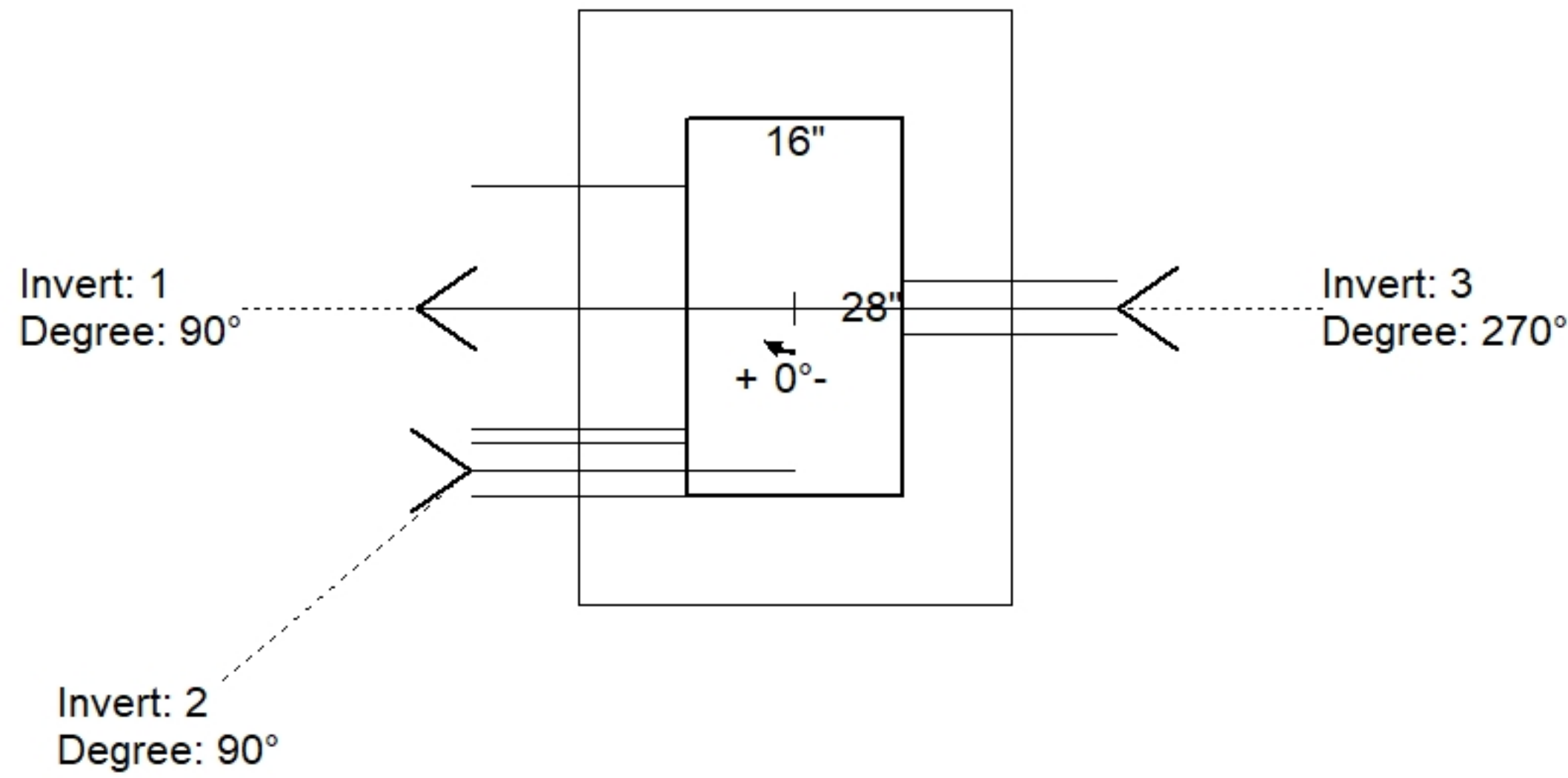
Floor (Bot): 585.343'
 Overall Height: 2.917'
 Slack: 0.24"

Structure Notes:

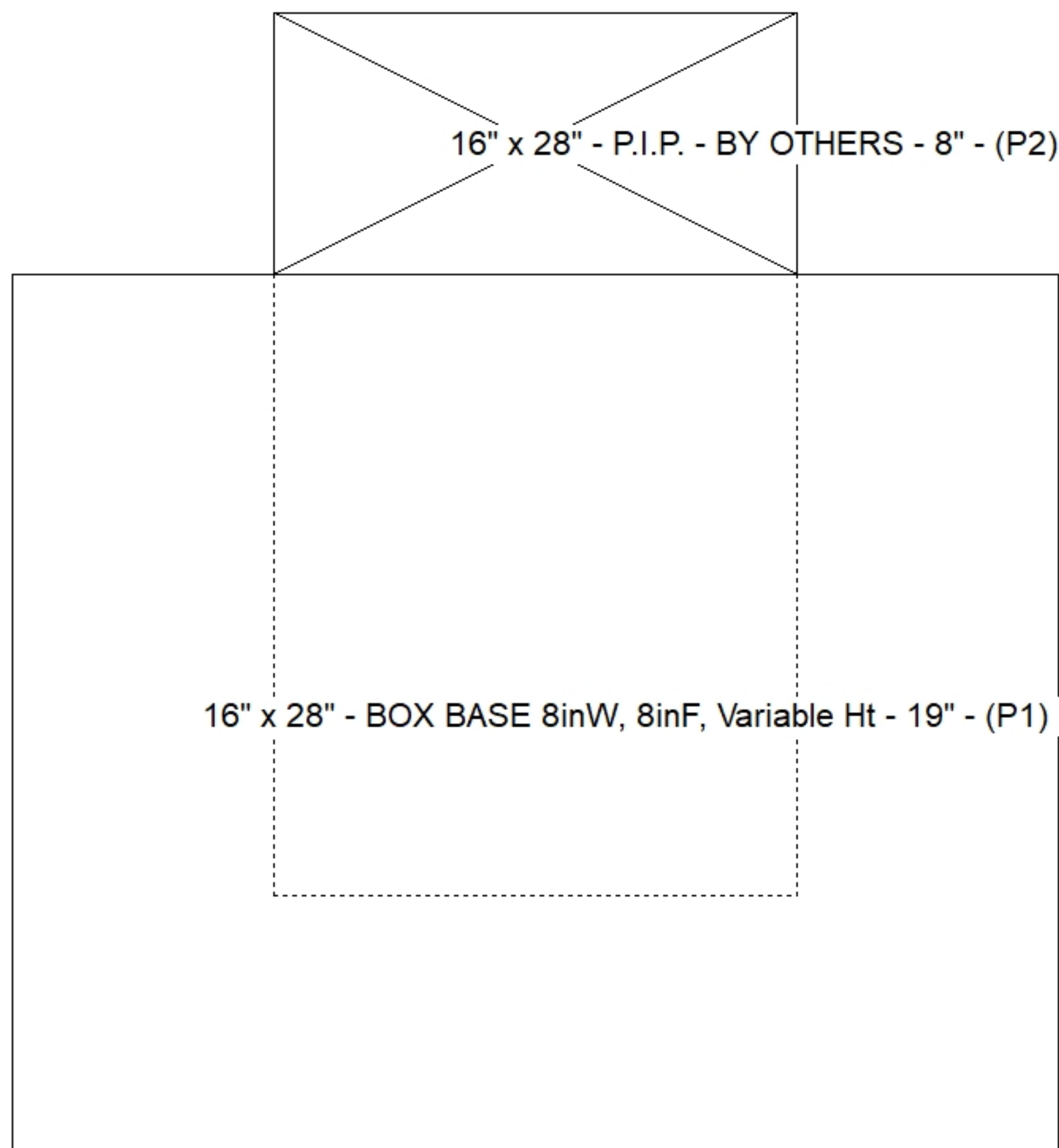
- KYTC STATE PROJECT 251007
- REINFORCING: #5 BAR @ 12" C/C E.W. (TYP.)
- DBI 13G FRAME & GRATE BY OTHERS.
- CS-102 BUTYL REQUIRED (SUPPLIED BY ICAST).
- #5 BAR STUBBED OUT OF TOP OF BOX 24" AT 12" C/C FOR FIELD POURED CURB & GUTTER.
- KYTC CERTIFICATIONS REQUIRED.

STRUCTURE SUMMARY:

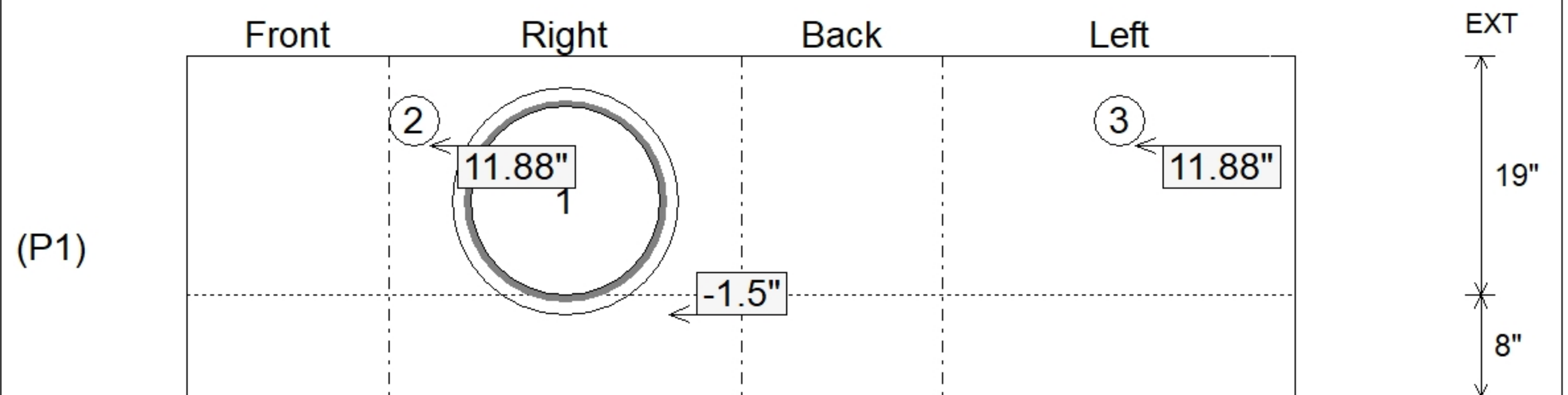
P2) 16" x 28" - P.I.P. - BY OTHERS - 8"	0 lb
P1) 16" x 28" - BOX BASE 8inW, 8inF, Variable Ht - 19"	2315 lb
1) SECONDARY POUR - WALLS	0 lb
1) Hole - 18	0 lb
2) Hole - 4	0 lb
Structure Total:	2315 lb



Position	Elev	Angle	Pipe	Pipe OD	Hole	Connector	Up (")	Ref
Rim	588.28'							
Reducer								
Invert 1	586.01'	90°	15" CMP	16"	18"	Hole 18	-1.5"	P1
Invert 2	587'	90°	4" WEEP HOLE	4"	4"	Hole 4	11.88"	P1
Invert 3	587'	270°	4" WEEP HOLE	4"	4"	Hole 4	11.88"	P1
Invert 4								
Invert 5								
Invert 6								
Invert 7								
Invert 8								



Default - Interior Dimensions



Submittal Drawing
 3/24/2026 10:49:59 AM

SUBMITTAL
 APPROVED BY: