

Job Name: 25-1684P7 KYTC Jefferson Co. Call 200 (251007)
 Job Location: I-264 Louisville, Ky.
 Contractor: Cleary Construction, Inc.

Plant: Beaver Dam, Ky.
 3/19/2026 1:04:12 PM

Tech: J. Coppage
 PC: J. Jarvis



Structure ID: 136+35 LT DBI-16G MOD. INLET 43

P1 BX24300808VF

BOX BASE 8inW, 8inF, Variable Ht

- P2) 24" x 30" - P.I.P. - BY OTHERS - 8"
- P1) 24" x 30" - BOX BASE 8inW, 8inF, Variable Ht - 22"
- 1) 24" x 30" - Conseal CS-102 1.00"
- 2) Hole - 18
- 2) Hole - 4

0 lb
 2938 lb
 0 lb
 0 lb
 0 lb

 Structure Total: 2938 lb

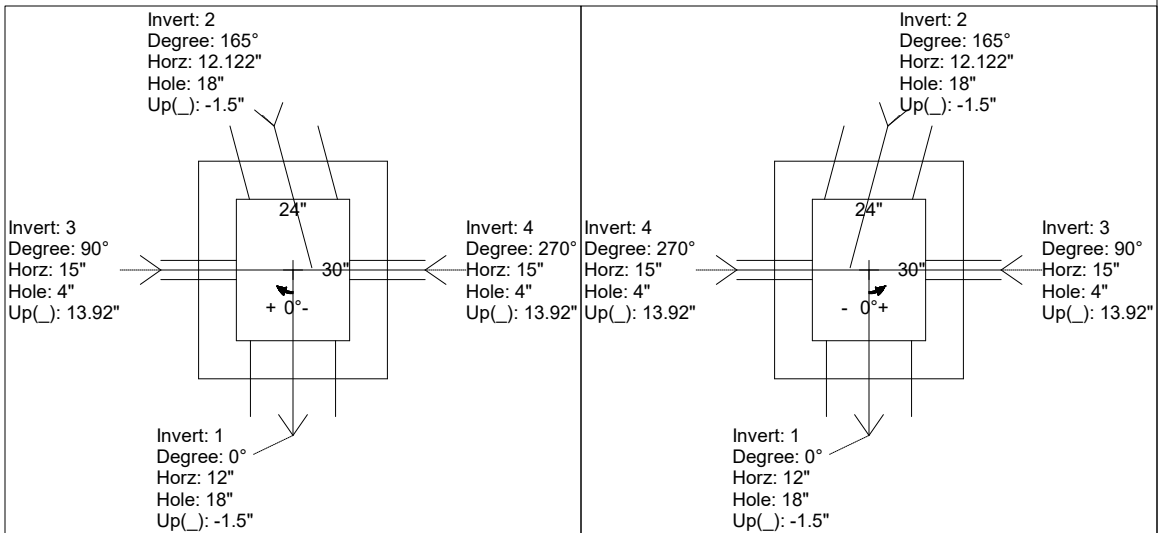
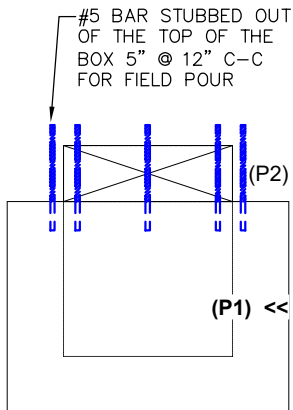
Structure Notes:
 -KYTC STATE PROJECT 251007
 -REINFORCING: #5 BAR @ 12" C/C E.W. (TYP.)
 -DBI 16G FRAME & GRATE BY OTHERS.
 -CS-102 BUTYL REQUIRED (SUPPLIED BY ICAST).
 -#5 BAR STUBBED OUT OF TOP OF BOX 5" AT 12" C/C FOR FIELD POURED CURB & GUTTER.
 -KYTC CERTIFICATIONS REQUIRED.

Rim: 587.73' Rim to Invert: 2.54' Slack: 0.48' Sump: 0' Step Position:

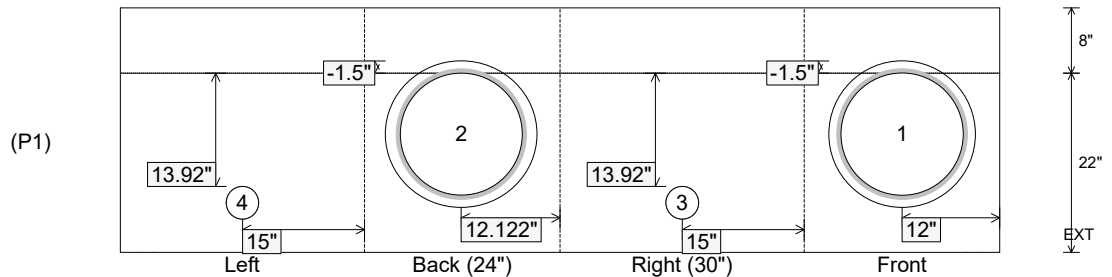
Position	Elev	Angle	Ext. (cw)	Pipe	Pipe OD	Connector	Hole	Horz Size	Up ()	Offset
Invert 1	585.19'	0°	20"	15" CMP	16"	Hole 18	18"	18"	-1.5"	0"
Invert 2	585.19'	165°	17.978"	15" CMP	16"	Hole 18	18"	18.635"	-1.5"	4"
Invert 3	586.35'	90°	23"	4" WEEP HOLE	4"	Hole 4	4"	4"	13.92"	0"
Invert 4	586.35'	270°	23"	4" WEEP HOLE	4"	Hole 4	4"	4"	13.92"	0"
Invert 5										
Invert 6										
Invert 7										
Invert 8										

RIGHT-SIDE UP VIEW (int. dimensions)

UPSIDE-DOWN VIEW (int. dimensions)



INSIDE WALL DIMENSIONS



Coating (Int):
 Coating (Ext):

Seam Up: Flat
 Seam Dn: n/a

Wall Thickness: 8"
 Floor Height: 8"

Height (Int): 22"
 Height (Ext): 30"

Weight (Net): 2938 lb
 Volume (Net): 0.75cu.yd