

Job Name: 25-1684P7 KYTC Jefferson Co. Call 200 (251007)  
 Job Location: I-264 Louisville, Ky.  
 Contractor: Cleary Construction, Inc.

Plant: Beaver Dam, Ky.  
 3/19/2026 1:04:08 PM

Tech: J. Coppage  
 PC: J. Jarvis



**Structure ID: 134+50 LT DBI-16G MOD. INLET 76**

**P1 BX24300808VF**

**BOX BASE 8inW, 8inF, Variable Ht**

- P2) 24" x 30" - P.I.P. - BY OTHERS - 8"
- P1) 24" x 30" - BOX BASE 8inW, 8inF, Variable Ht - 20"
- 1) 24" x 30" - Conseal CS-102 1.00"
- 2) Hole - 18
- 2) Hole - 4

0 lb  
 2756 lb  
 0 lb  
 0 lb  
 0 lb  
 Structure Total: 2756 lb

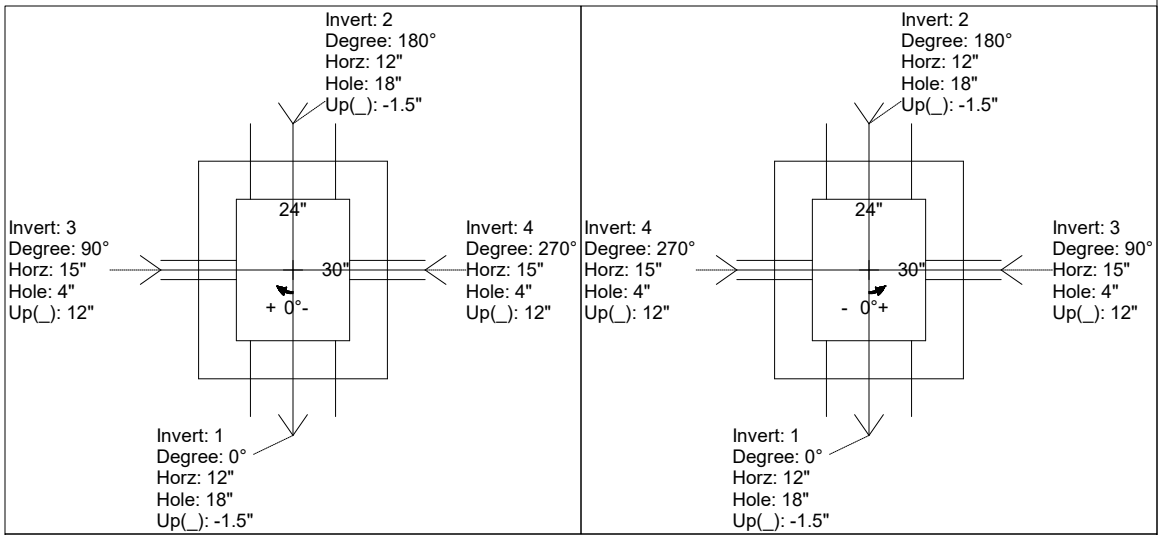
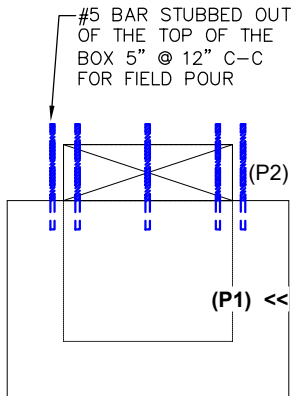
**Structure Notes:**  
 -KYTC STATE PROJECT 251007  
 -REINFORCING: #5 BAR @ 12" C/C E.W. (TYP.)  
 -DBI 16G FRAME & GRATE BY OTHERS.  
 -CS-102 BUTYL REQUIRED (SUPPLIED BY ICAST).  
 -#5 BAR STUBBED OUT OF TOP OF BOX 5" AT 12" C/C FOR FIELD POURED CURB & GUTTER.  
 -KYTC CERTIFICATIONS REQUIRED.

Rim: 588.49' Rim to Invert: 2.39' Slack: 0.68" Sump: 0" Step Position:

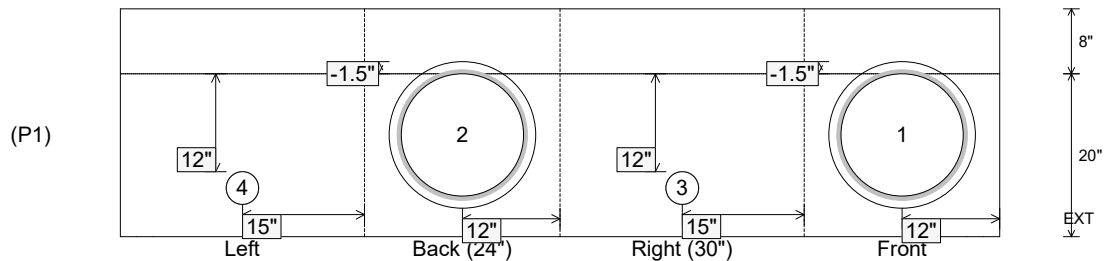
Position	Elev	Angle	Ext. (cw)	Pipe	Pipe OD	Connector	Hole	Horz Size	Up ( )	Offset
Invert 1	586.1'	0°	20"	15" CMP	16"	Hole 18	18"	18"	-1.5"	0"
Invert 2	586.1'	180°	20"	15" CMP	16"	Hole 18	18"	18"	-1.5"	0"
Invert 3	587.1'	90°	23"	4" WEEP HOLE	4"	Hole 4	4"	4"	12"	0"
Invert 4	587.1'	270°	23"	4" WEEP HOLE	4"	Hole 4	4"	4"	12"	0"
Invert 5										
Invert 6										
Invert 7										
Invert 8										

RIGHT-SIDE UP VIEW (int. dimensions)

UPSIDE-DOWN VIEW (int. dimensions)



INSIDE WALL DIMENSIONS



Coating (Int):  
 Coating (Ext):

Seam Up: Flat  
 Seam Dn: n/a

Wall Thickness: 8"  
 Floor Height: 8"

Height (Int): 20"  
 Height (Ext): 28"

Weight (Net): 2756 lb  
 Volume (Net): 0.7cu.yd