

Job Name: 25-1684P7 KYTC Jefferson Co. Call 200 (251007)  
 Job Location: I-264 Louisville, Ky.  
 Contractor: Cleary Construction, Inc.

Plant: Beaver Dam, Ky.  
 3/19/2026 1:04:04 PM

Tech: J. Coppage  
 PC: J. Jarvis



**Structure ID: 132+60 LT DBI-16G MOD. INLET 42**

**P1 BX24300808VF BOX BASE 8inW, 8inF, Variable Ht**

- P2) 24" x 30" - P.I.P. - BY OTHERS - 8"
- P1) 24" x 30" - BOX BASE 8inW, 8inF, Variable Ht - 19"
- 1) 24" x 30" - Conseal CS-102 1.00"
- 2) Hole - 18
- 2) Hole - 4

0 lb  
 2662 lb  
 0 lb  
 0 lb  
 0 lb  
 -----  
 Structure Total: 2662 lb

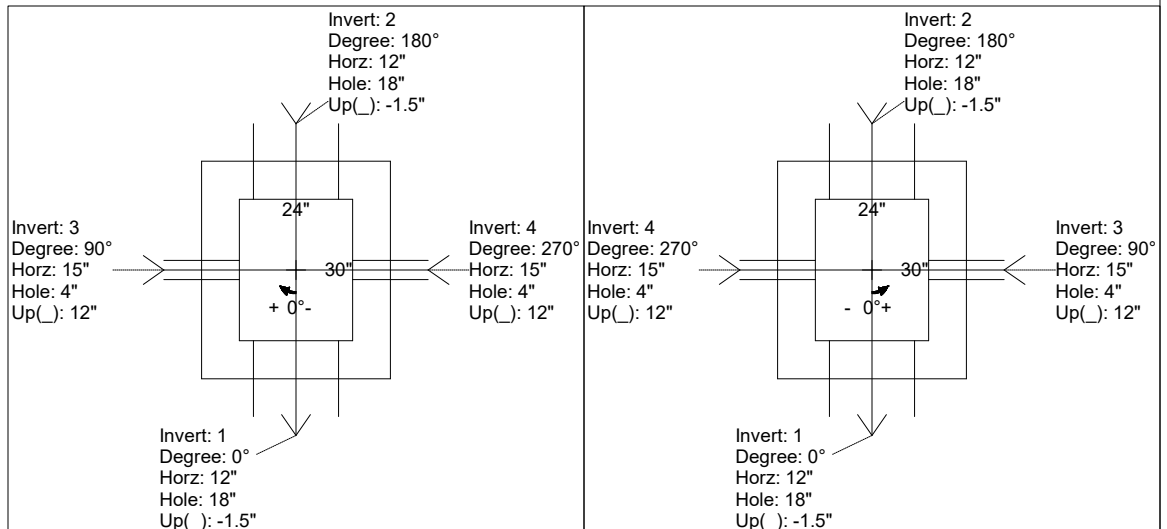
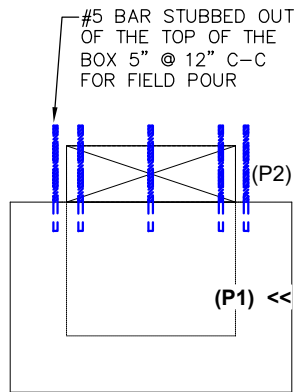
**Structure Notes:**  
 -KYTC STATE PROJECT 251007  
 -REINFORCING: #5 BAR @ 12" C/C E.W. (TYP.)  
 -DBI 16G FRAME & GRATE BY OTHERS.  
 -CS-102 BUTYL REQUIRED (SUPPLIED BY ICAST).  
 -#5 BAR STUBBED OUT OF TOP OF BOX 5" AT 12" C/C FOR FIELD POURED CURB & GUTTER.  
 -KYTC CERTIFICATIONS REQUIRED.

Rim: 589.35' Rim to Invert: 2.31' Slack: 0.72" Sump: 0" Step Position:

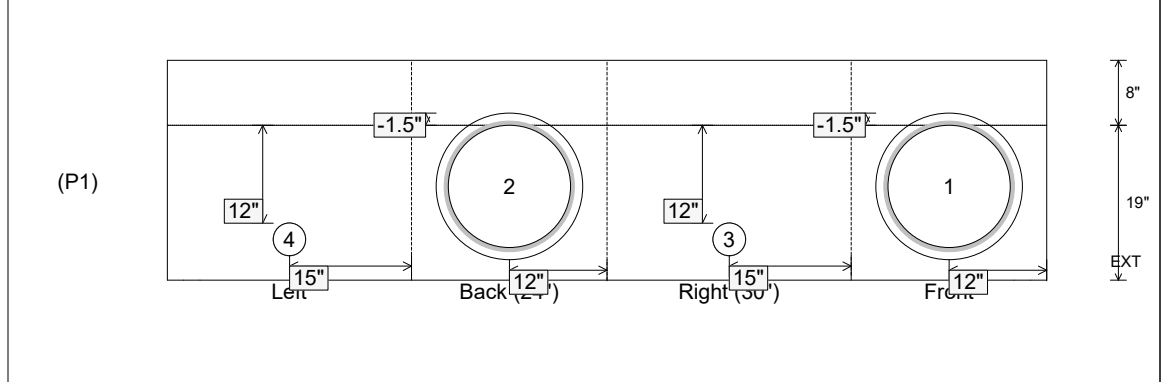
Position	Elev	Angle	Ext. (cw)	Pipe	Pipe OD	Connector	Hole	Horz Size	Up ( )	Offset
Invert 1	587.04'	0°	20"	15" CMP	16"	Hole 18	18"	18"	-1.5"	0"
Invert 2	587.04'	180°	20"	15" CMP	16"	Hole 18	18"	18"	-1.5"	0"
Invert 3	588.04'	90°	23"	4" WEEP HOLE	4"	Hole 4	4"	4"	12"	0"
Invert 4	588.04'	270°	23"	4" WEEP HOLE	4"	Hole 4	4"	4"	12"	0"
Invert 5										
Invert 6										
Invert 7										
Invert 8										

RIGHT-SIDE UP VIEW (int. dimensions)

UPSIDE-DOWN VIEW (int. dimensions)



INSIDE WALL DIMENSIONS



Coating (Int): Coating (Ext):	Seam Up: Flat Seam Dn: n/a	Wall Thickness: 8" Floor Height: 8"	Height (Int): 19" Height (Ext): 27"	Weight (Net): 2662 lb Volume (Net): 0.68cu.yd
----------------------------------	-------------------------------	--	--	--