

Job Name: 25-1684P7 KYTC Jefferson Co. Call 200 (251007)
Job Location: I-264 Louisville, Ky.
Contractor: Cleary Construction, Inc.

PC: J. Jarvis
 TECH: J. Coppage
 Plant: Beaver Dam, Ky.



Structure ID: 126+92 CBIA INLET 33
 Spec: KYTC
 Type: CBI TYPE A (10')
 Size: 24" x 36"

Rim: 592.31'
 Invert: 587.2'
 Rim to Invert: 5.11'

Sump: 0"
 Floor (Top): 587.2'
 Floor Height: 8"

Floor (Bot): 586.533'
 Overall Height: 5.5'
 Slack: 3.32"

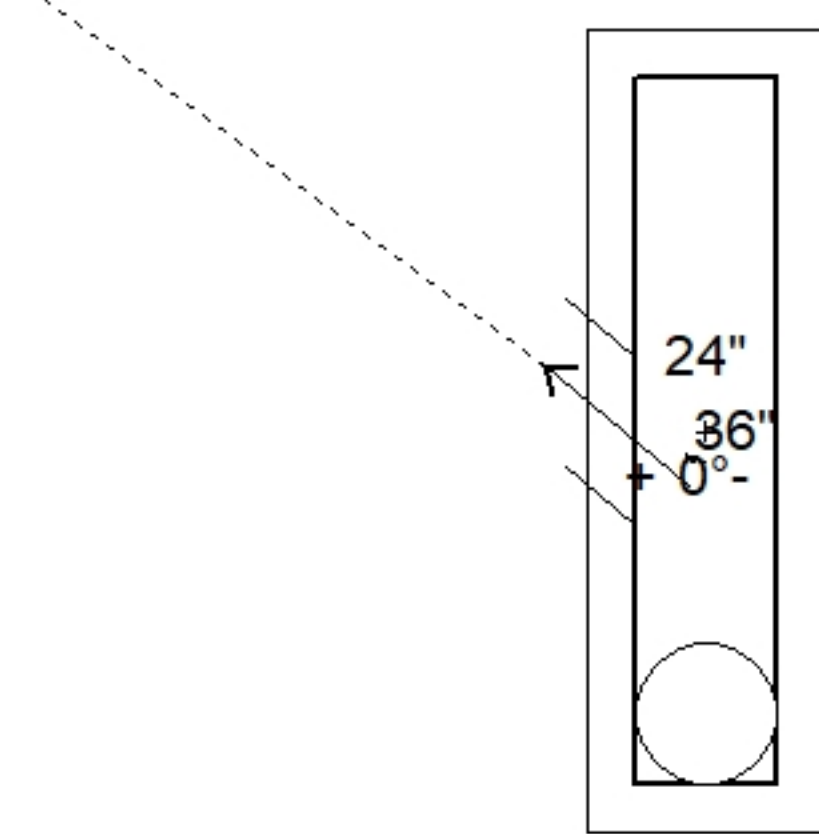
Structure Notes:

- KYTC STATE PROJECT 251007
- REINFORCING: #5 BAR @ 12" C/C E.W. (TYP.)
- CS-102 BUTYL REQUIRED (SUPPLIED BY ICAST).
- KYTC CERTIFICATIONS REQUIRED.

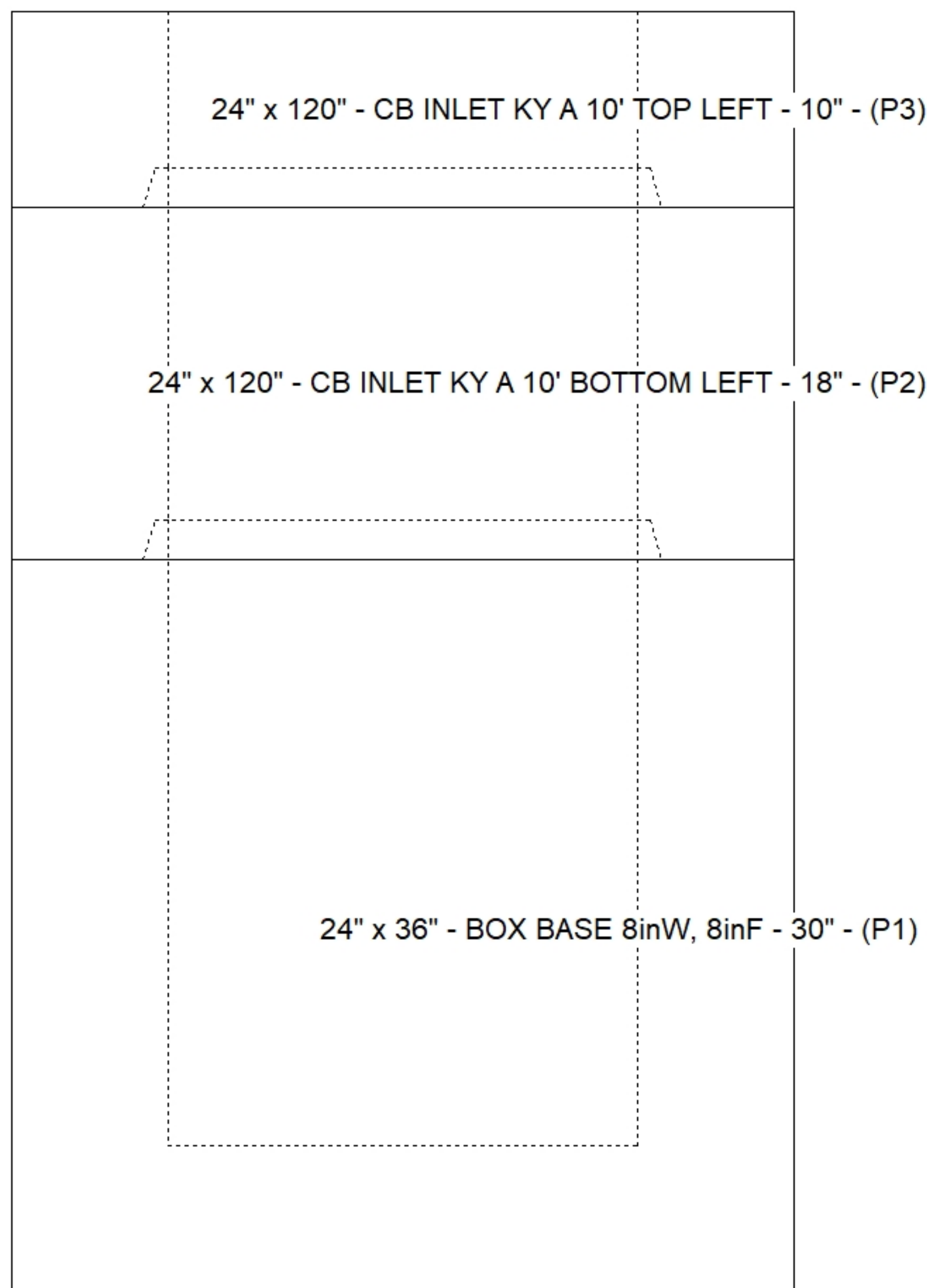
STRUCTURE SUMMARY:

P3) 24" x 120" - CB INLET KY A 10' TOP LEFT - 10"	3400 lb
P2) 24" x 120" - CB INLET KY A 10' BOTTOM LEFT - 18"	5270 lb
P1) 24" x 36" - BOX BASE 8inW, 8inF - 30"	4124 lb
1) 24" x 36" - Conseal CS-102 1.00"	0 lb
1) Hole - 22"	0 lb
Structure Total:	12794 lb

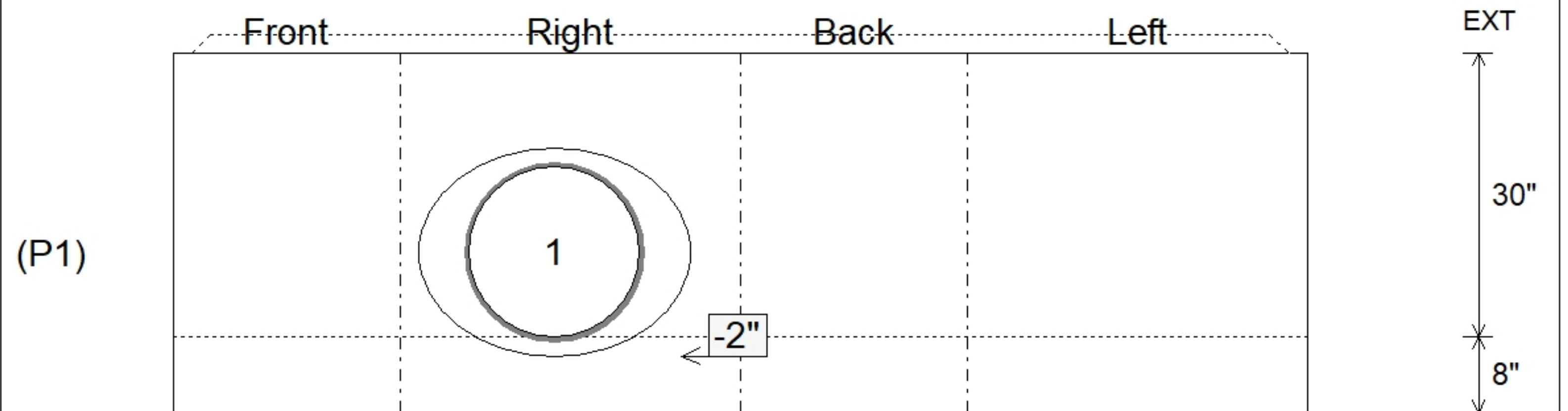
Invert: 1
 Degree: 130°



Position	Elev	Angle	Pipe	Pipe OD	Hole	Connector	Up (L)	Ref
Rim	592.31'							
Reducer								
Invert 1	587.2'	130°	18" CMP	19"	22"	Hole 22	-2"	P1
Invert 2								
Invert 3								
Invert 4								
Invert 5								
Invert 6								
Invert 7								
Invert 8								



Default - Interior Dimensions



Submittal Drawing
 3/24/2026 10:49:54 AM

SUBMITTAL
 APPROVED BY: