

Job Name: 25-1684P7 KYTC Jefferson Co. Call 200 (251007)
 Job Location: I-264 Louisville, Ky.
 Contractor: Cleary Construction, Inc.

Plant: Beaver Dam, Ky.
 3/19/2026 1:03:56 PM

Tech: J. Coppage
 PC: J. Jarvis



Structure ID: 126+92 CBIA INLET 33

P1 BX2436-08BA30

BOX BASE 8inW, 8inF

- P3) 24" x 120" - CB INLET KY A 10' TOP LEFT - 10"
- P2) 24" x 120" - CB INLET KY A 10' BOTTOM LEFT - 18"
- P1) 24" x 36" - BOX BASE 8inW, 8inF - 30"
- 1) 24" x 36" - Conseal CS-102 1.00"
- 1) Hole - 22"

3400 lb
 5270 lb
 4124 lb
 0 lb
 0 lb

Structure Notes:
 -KYTC STATE PROJECT 251007
 -REINFORCING: #5 BAR @ 12" C/C E.W. (TYP.)
 -CS-102 BUTYL REQUIRED (SUPPLIED BY ICAST).
 -KYTC CERTIFICATIONS REQUIRED.

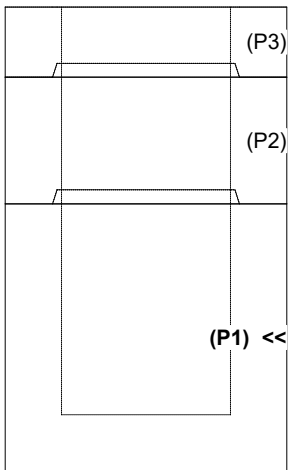
Structure Total: 12794 lb

Rim: 592.31' Rim to Invert: 5.11' Slack: 3.32" Sump: 0" Step Position:

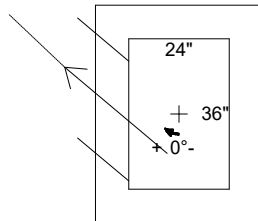
Position	Elev	Angle	Ext. (cw)	Pipe	Pipe OD	Connector	Hole	Horz Size	Up ()	Offset
Invert 1	587.2'	130°	31.033"	18" CMP	19"	Hole 22	22"	28.719"	-2"	-9"
Invert 2										
Invert 3										
Invert 4										
Invert 5										
Invert 6										
Invert 7										
Invert 8										

RIGHT-SIDE UP VIEW (int. dimensions)

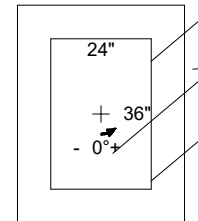
UPSIDE-DOWN VIEW (int. dimensions)



Invert: 1
 Degree: 130°
 Horz: 16.321"
 Hole: 22"
 Up(): -2"

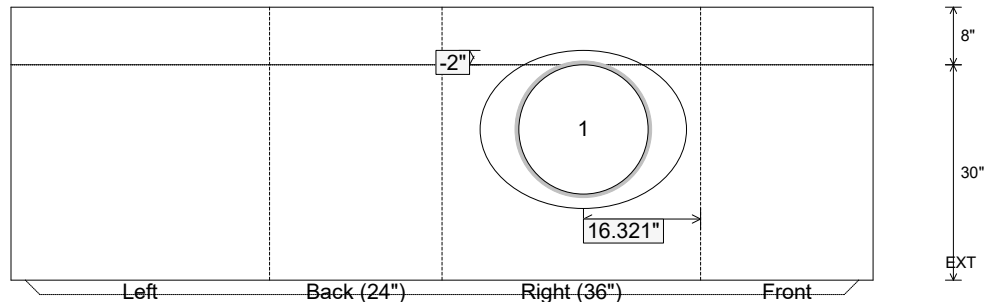


Invert: 1
 Degree: 130°
 Horz: 16.321"
 Hole: 22"
 Up(): -2"



INSIDE WALL DIMENSIONS

(P1)



Coating (Int):
 Coating (Ext):

Seam Up: Tongue
 Seam Dn: n/a

Wall Thickness: 8"
 Floor Height: 8"

Height (Int): 30"
 Height (Ext): 38"

Weight (Net): 4124 lb
 Volume (Net): 1.05cu.yd